

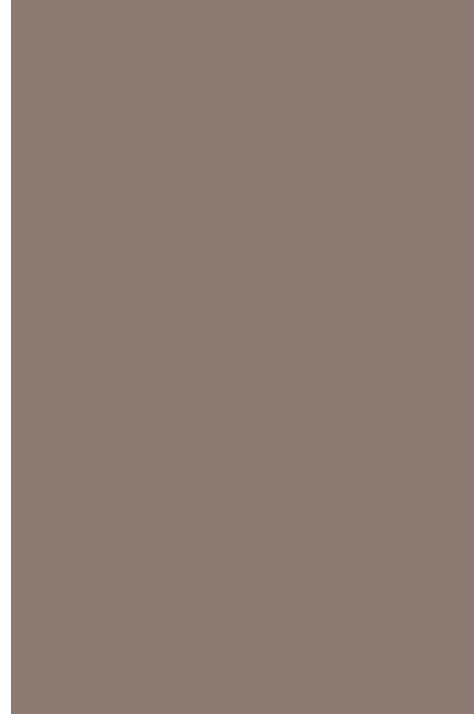
◆ NOVA ◆

DESKING SYSTEM

PRODUCT CATALOG WITH FOOTPRINTS

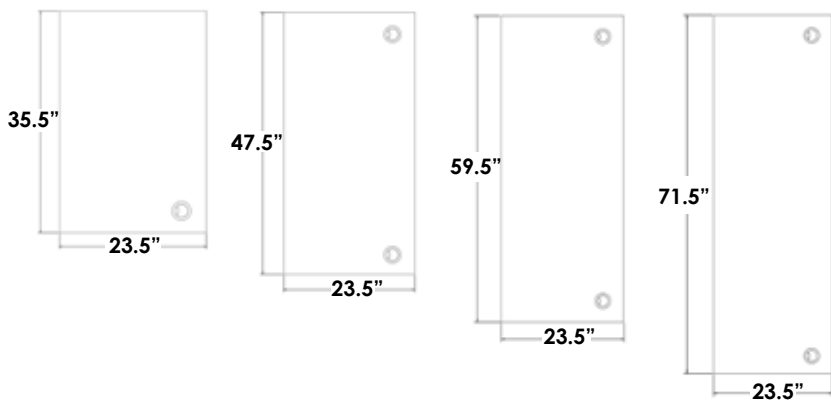


888-993-3757

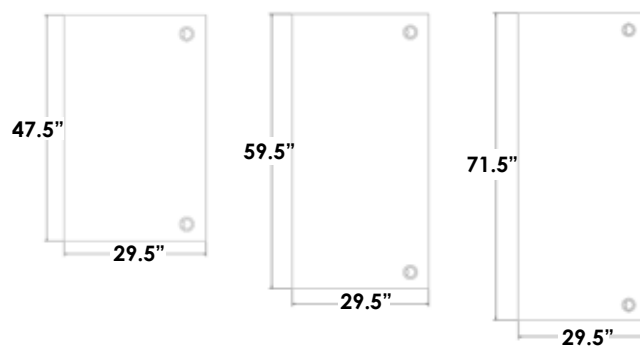


Worksurface Sizes

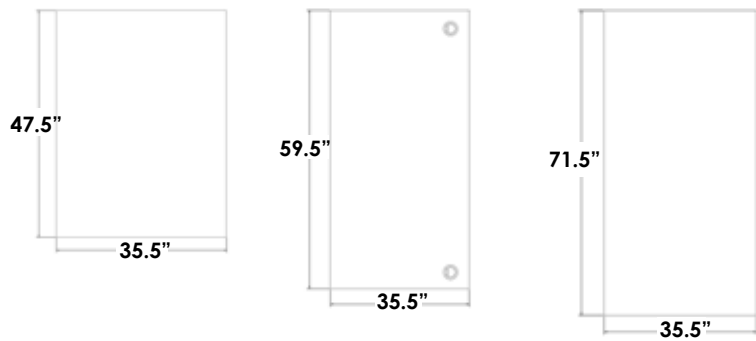
24"D



30"D

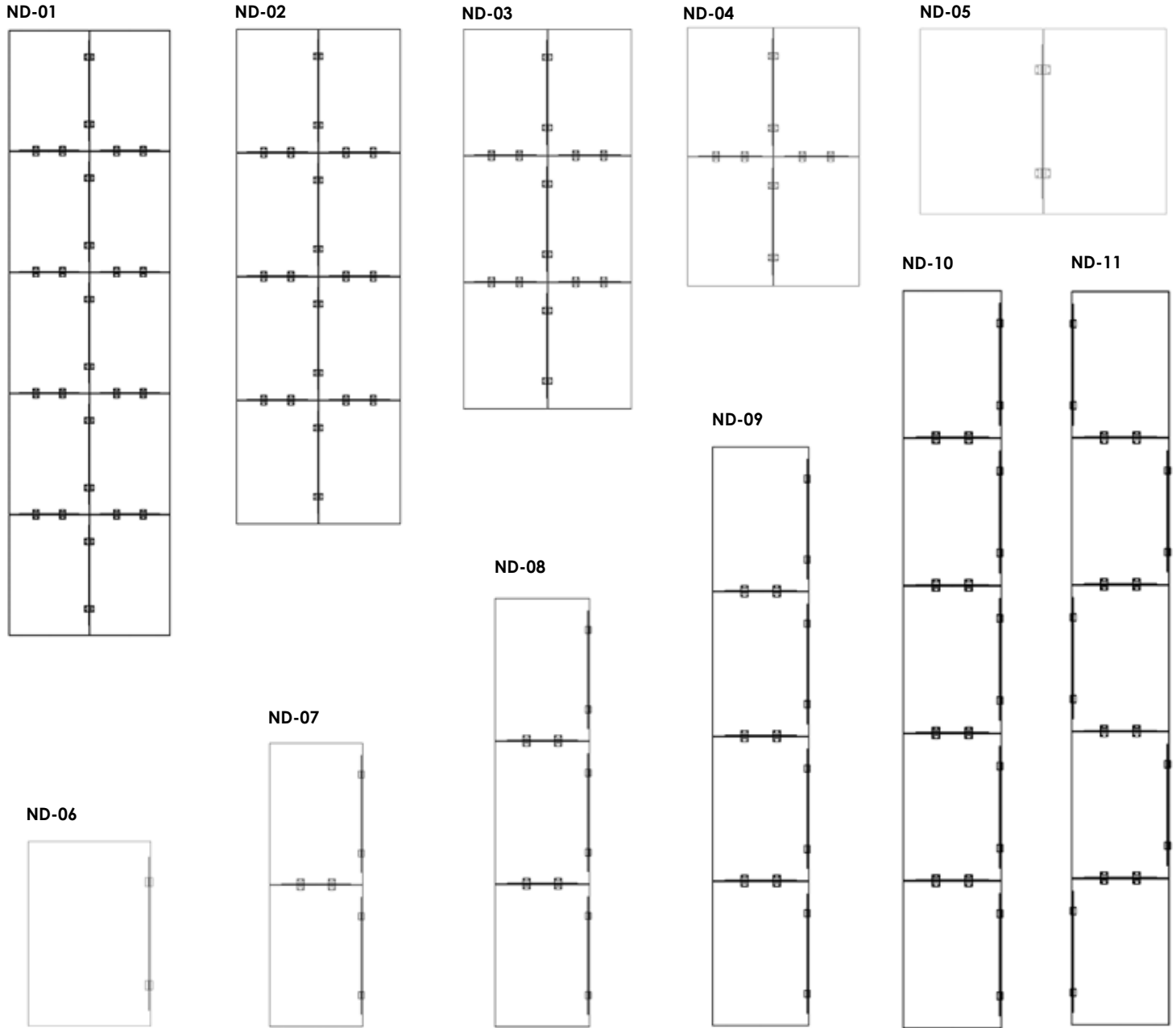


36"D

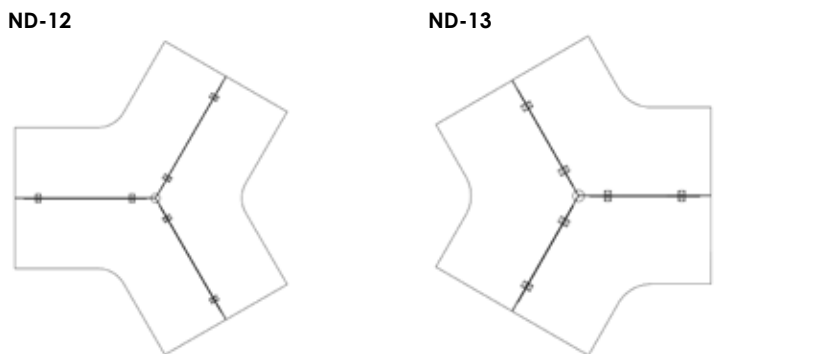


Desking Layouts

Call Center



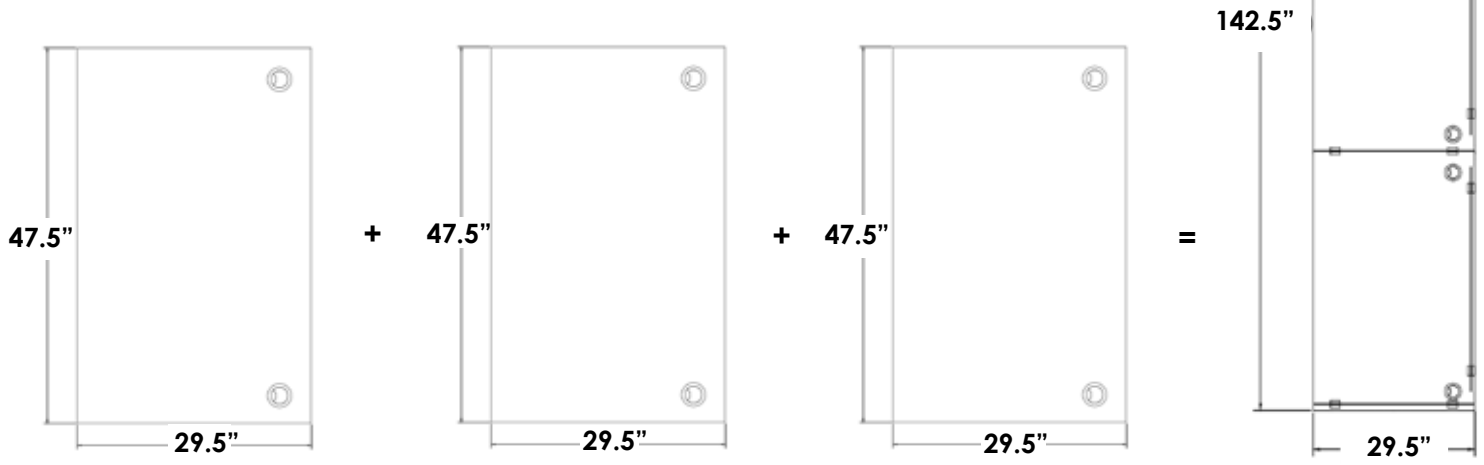
120 degree



Calculating the Footprint

Ex.

Using the 30" D x 48" W



$$47.5" + 47.5" + 47.5" = 142.5"W$$

$$\text{Total Footprint} = 142.5"W \times 29.5"D$$

Example of the 142.5"W x 29.5"D desk with desk screens:



Desk Screens

Available in PET Material or Acrylic

Single Desk Screen



Double Desk Mount Screen



Mounts



Above-mounts on top of the worksurface.



Single Edge-mounts to front or side of the worksurface



Double Edge- mounts two worksurfaces together

Desk Screen Sizes

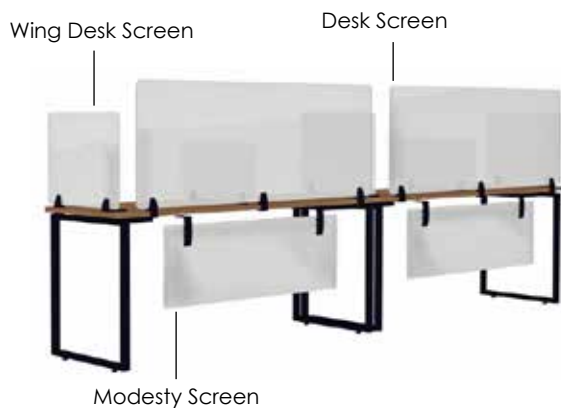
Widths	Widths with Available Heights			
23"W	23"W x 12"H	23"W x 16"H	23"W x 18"H	23"W x 24"H
29"W	29"W x 12"H	29"W x 16"H	29"W x 18"H	29"W x 24"H
35"W	35"W x 12"H	35"W x 16"H	35"W x 18"H	35"W x 24"H
41"W	41"W x 12"H	41"W x 16"H	41"W x 18"H	41"W x 24"H
47"W	47"W x 12"H	47"W x 16"H	47"W x 18"H	47"W x 24"H
59"W	59"W x 12"H	59"W x 16"H	59"W x 18"H	59"W x 24"H
65"W	65"W x 12"H	65"W x 16"H	65"W x 18"H	65"W x 24"H
71"W	71"W x 12"H	71"W x 16"H	71"W x 18"H	71"W x 24"H

Desk Accessory Options

Desks can be equipped with: Storage Cabinets, Accessory Rails, Modesty Screens, Desk Screens, and Wing Desk Screens



Rear View

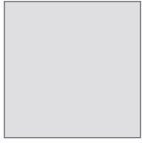


Front View



Support Leg

Available in:



Silver



Charcoal

Box Leg



Screens are available in frosted or clear acrylic or the following PET colors:



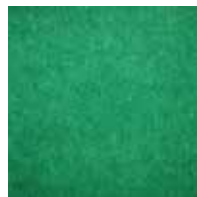
Black
M-36



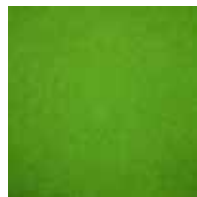
Cobalt
M-25



Dark Blue
M-27



Emerald Green
M-09



Green
M-07



Sesame Black
M-35



Sky Blue
M-06



Orange
M-16



Orange Yellow
M-13



Purple
M-23



Purple Red
M-20



Red
M-18



Silver Gray
M-02



White
M-01

Worksurface Laminate Options



Applewood
(XD-07)



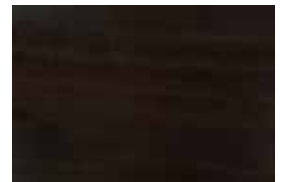
Black Oak
(XD-1025)



Driftwood
(XD-21)



Light Gray
(XD-01)



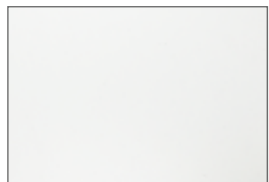
Mocha Walnut
(XD-13)



Sea Salt
(XD-1026)



Maple
(XD-08)



White
(XD-09)



Walnut
(XD-14)



Gray Speckle
(XD-17)