

# EMERALD



## CUBICLE COLLECTION

### Installation Guide





## Tools Needed for Installation

(Professional Assembly Recommended)



**Drill Bits**



**1/4 Driver**



**Clamp**



**Mallet**



**Screw Gun**



**Allen Keys**



**Chop Saw**



**Level**



**Pry Bar**

### Quick Tips

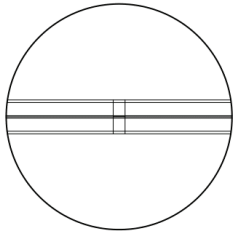
1. Unpack all product before assembly
2. 3 person installation
3. Make sure all panels are level
4. Frame entire office before installing tiles.
5. Professional installation recommended.
6. \*\*If your floor plan does not fit exactly with our sizes we suggest the following: A contractor may be hired to build out wall to meet measurements. This is called a knee wall and very common in the industry when odd measurements are left. This will make a finished look.



# Panel to Panel Connector

39" high and 52" High

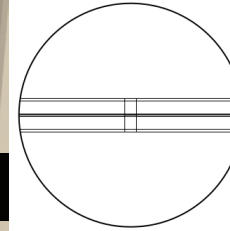
VIEW VIDEO for Panel to Panel Connector:  
<https://www.youtube.com/watch?v=5iF8elmECs0>



## EMERALD INSTALLATION:

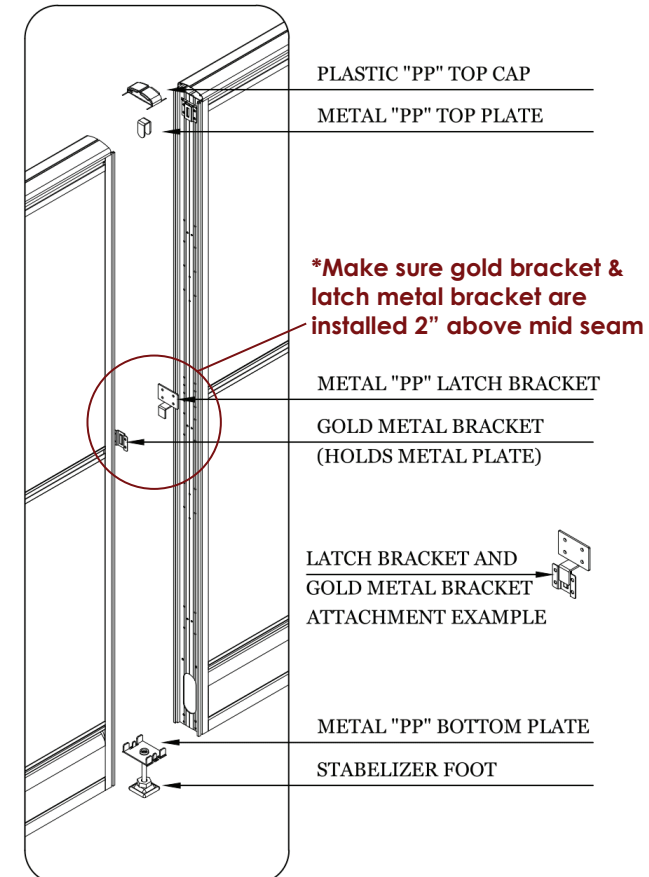
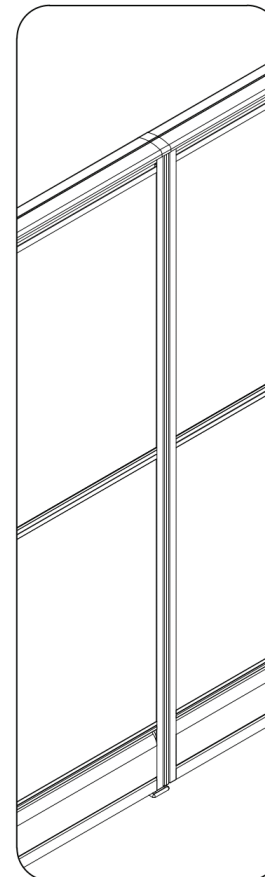
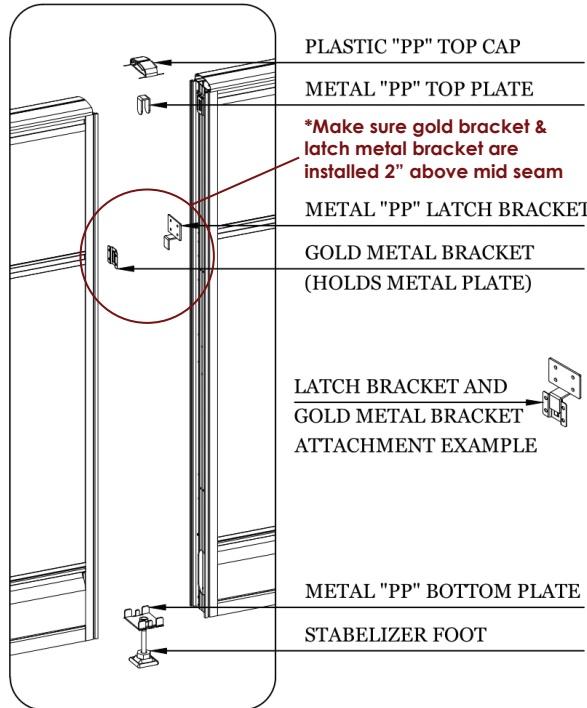
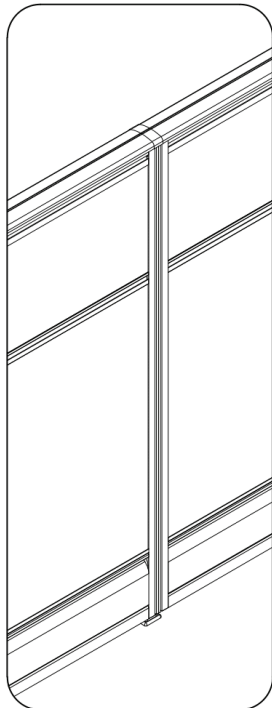
Panel to Panel "PP" Connector  
 39" High

**\*Note:**



## EMERALD INSTALLATION:

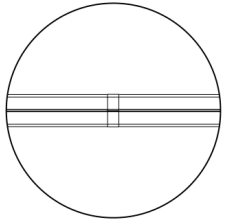
Panel to Panel "PP" Connector  
 52" High



65" High

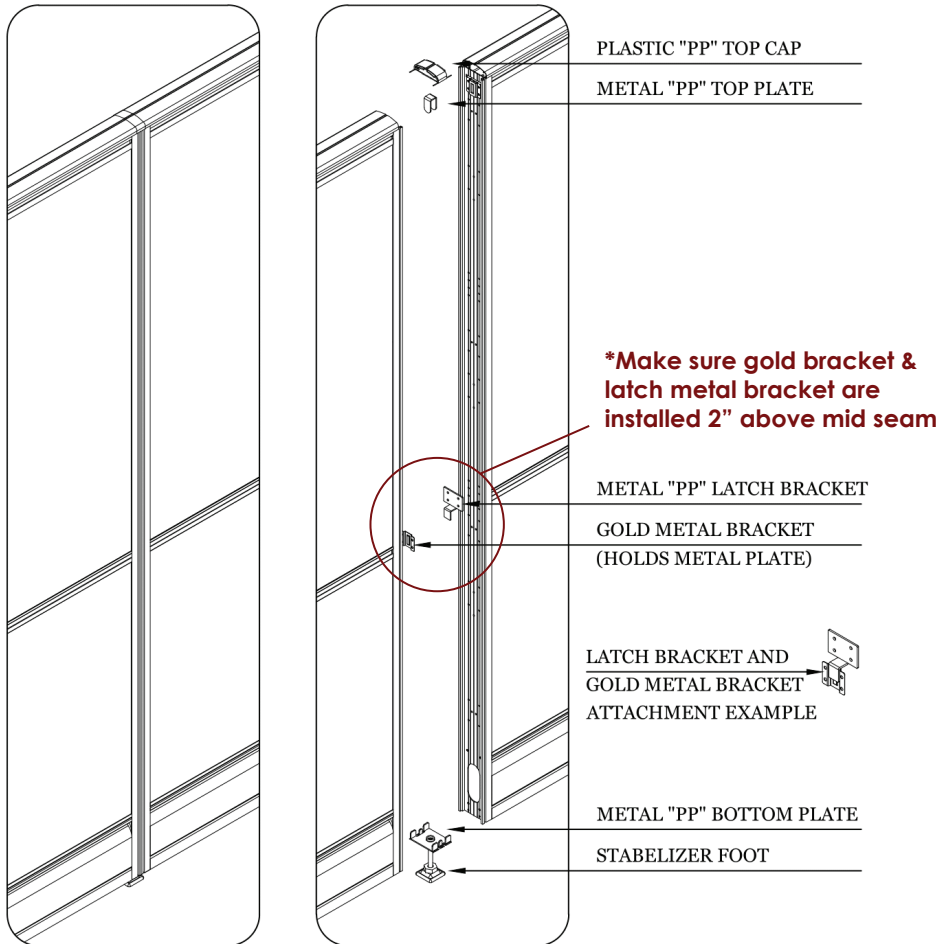
VIEW VIDEO for Panel to Panel Connector:

<https://www.youtube.com/watch?v=5iF8elmECs0>

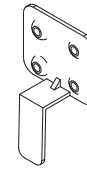


**EMERALD INSTALLATION:**

Panel to Panel "PP" Connector  
65" High



A



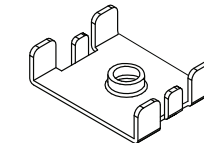
Mid-Panel Clip

B



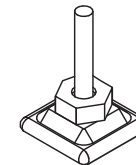
Panel-to-Panel Small Clip

C



Panel-to-Panel Foot

D



Foot

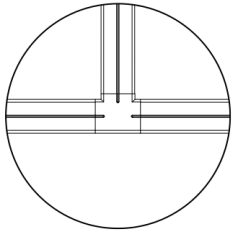
E



Panel-to-Panel Straight Top Connector

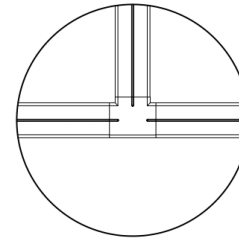
VIEW VIDEO for T-Connector:

<https://www.youtube.com/watch?v=5iF8elmECs0>



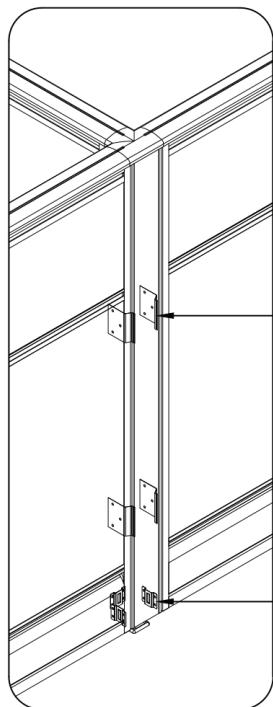
EMERALD INSTALLATION:

3 Way "T" Connector  
39" High



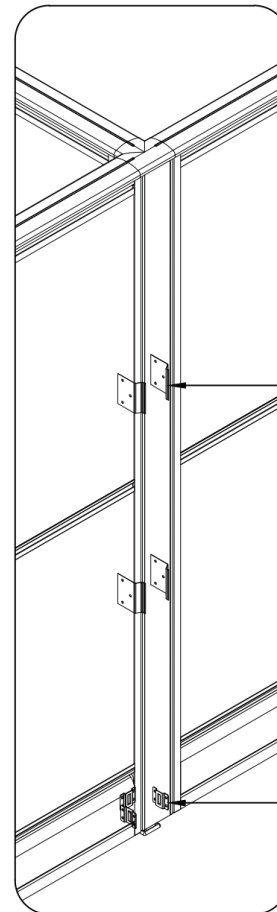
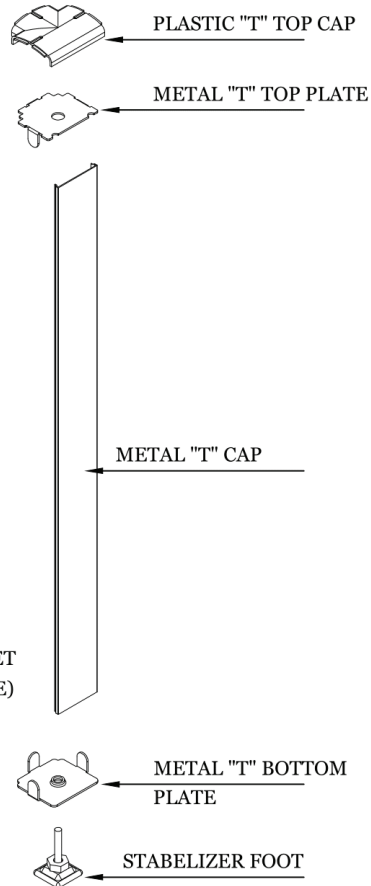
EMERALD INSTALLATION:

3 Way "T" Connector  
52" High



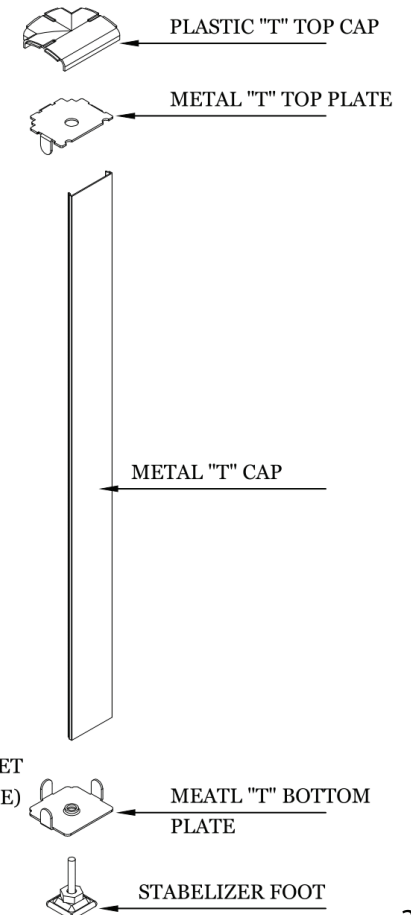
GOLD METAL CLIPS  
(HOLDS CAP)

GOLD METAL BRACKET  
(HOLDS METAL PLATE)

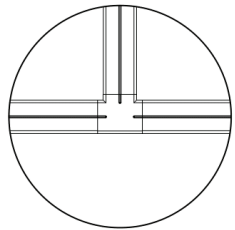


GOLD METAL CLIPS  
(HOLDS CAP)

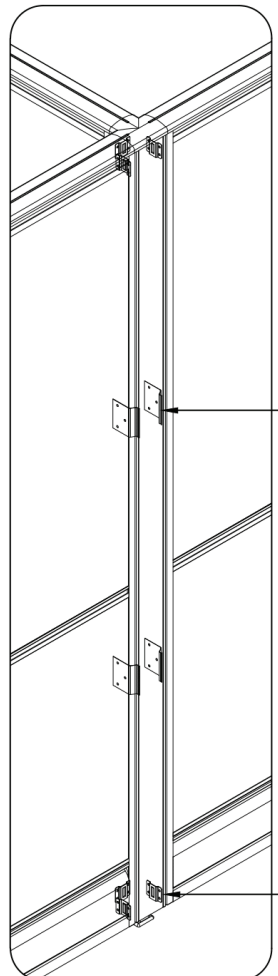
GOLD METAL BRACKET  
(HOLDS METAL PLATE)



VIEW VIDEO for T-Connector:  
<https://www.youtube.com/watch?v=5iF8elmECs0>



**EMERALD INSTALLATION:**  
 3 Way "T" Connector  
 65" High



GOLD METAL CLIPS  
 (HOLDS CAP)

GOLD METAL  
 BRACKET (HOLDS  
 METAL PLATE)



PLASTIC "T" TOP CAP



METAL "T" TOP PLATE



METAL "T" CAP

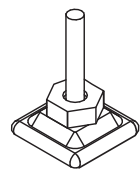


METAL "T" BOTTOM  
 PLATE



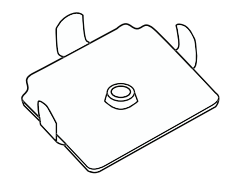
STABILIZER FOOT

(A)



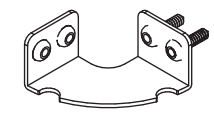
Foot

(B)



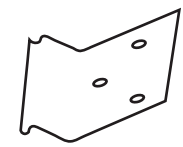
3 Way T Bottom  
 Connector

(C)



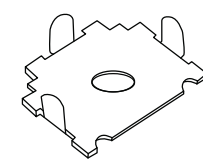
2 Way Mounting  
 Support

(D)



Bracket

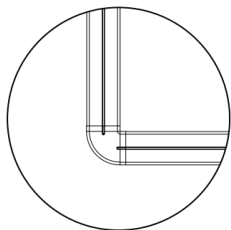
(E)



3 Way T Top  
 Connector

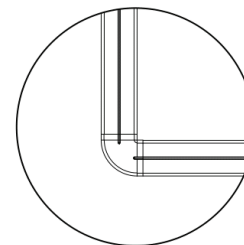
VIEW VIDEO - L-Connector:

<https://www.youtube.com/watch?v=5iF8elmECs0>



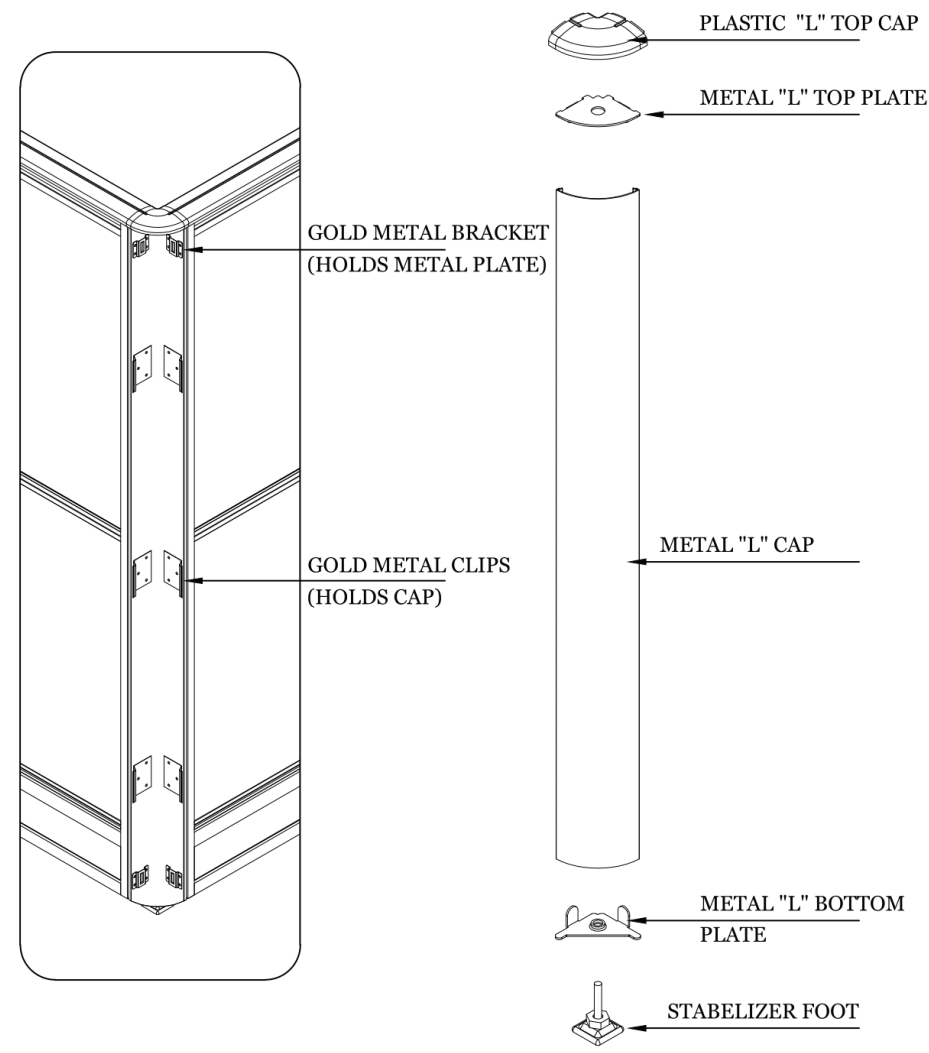
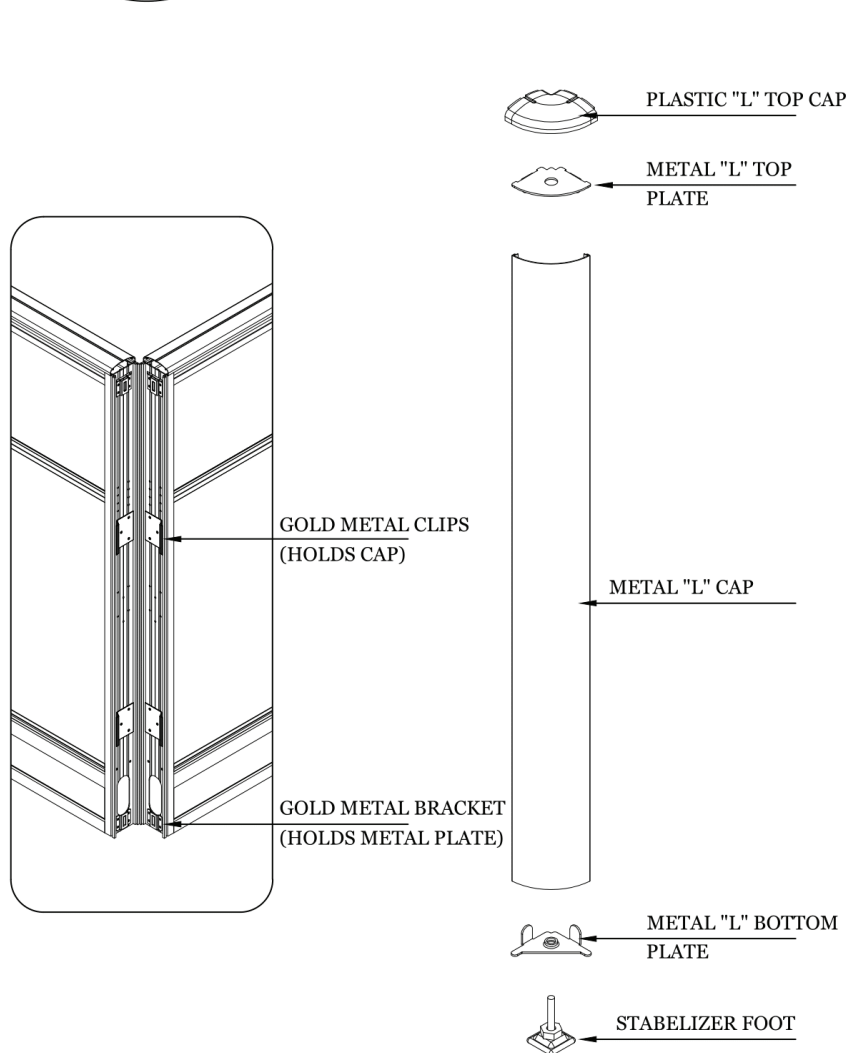
EMERALD INSTALLATION:

2 Way "L" Connector  
39" High



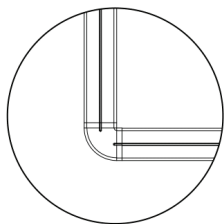
EMERALD INSTALLATION:

2 Way "L" Connector  
52" High



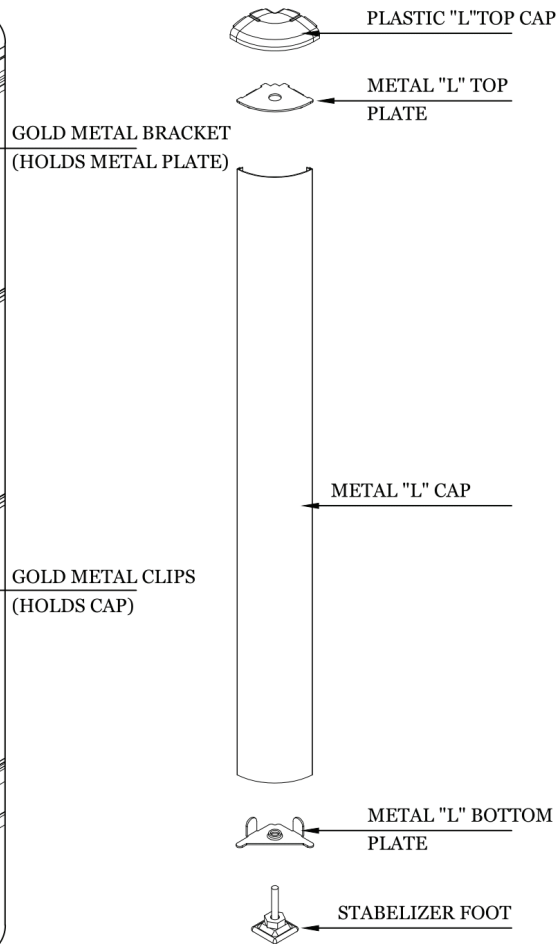
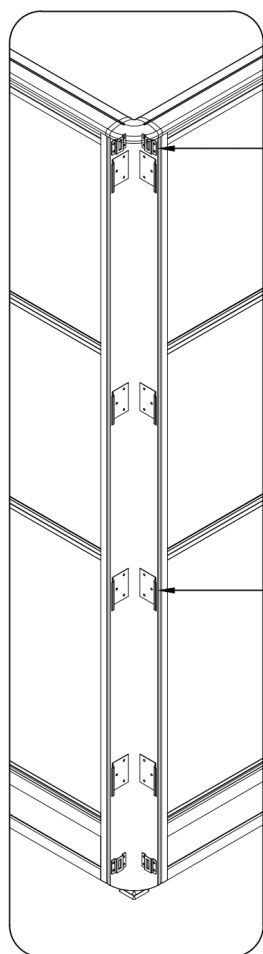
VIEW VIDEO - L-Connector:

<https://www.youtube.com/watch?v=5iF8elmECs0>

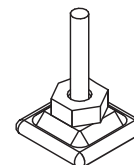


**EMERALD INSTALLATION:**

2 Way "L" Connector  
65" High

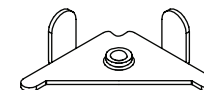


(A)



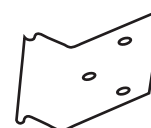
Foot

(B)



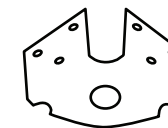
2 Way L Bottom Connector

(C)



Bracket

(D)



L-Bracket

(E)

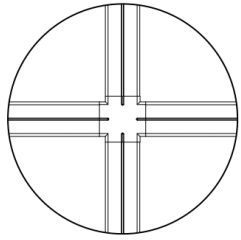


2 Way L Top Connector



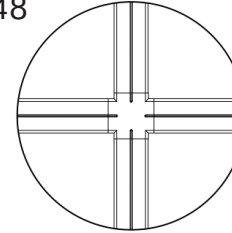
VIEW VIDEO - X-Connector:

[http://www.youtube.com/watch?feature=player\\_embedded&v=oU8zZM4fYo8#at=48](http://www.youtube.com/watch?feature=player_embedded&v=oU8zZM4fYo8#at=48)



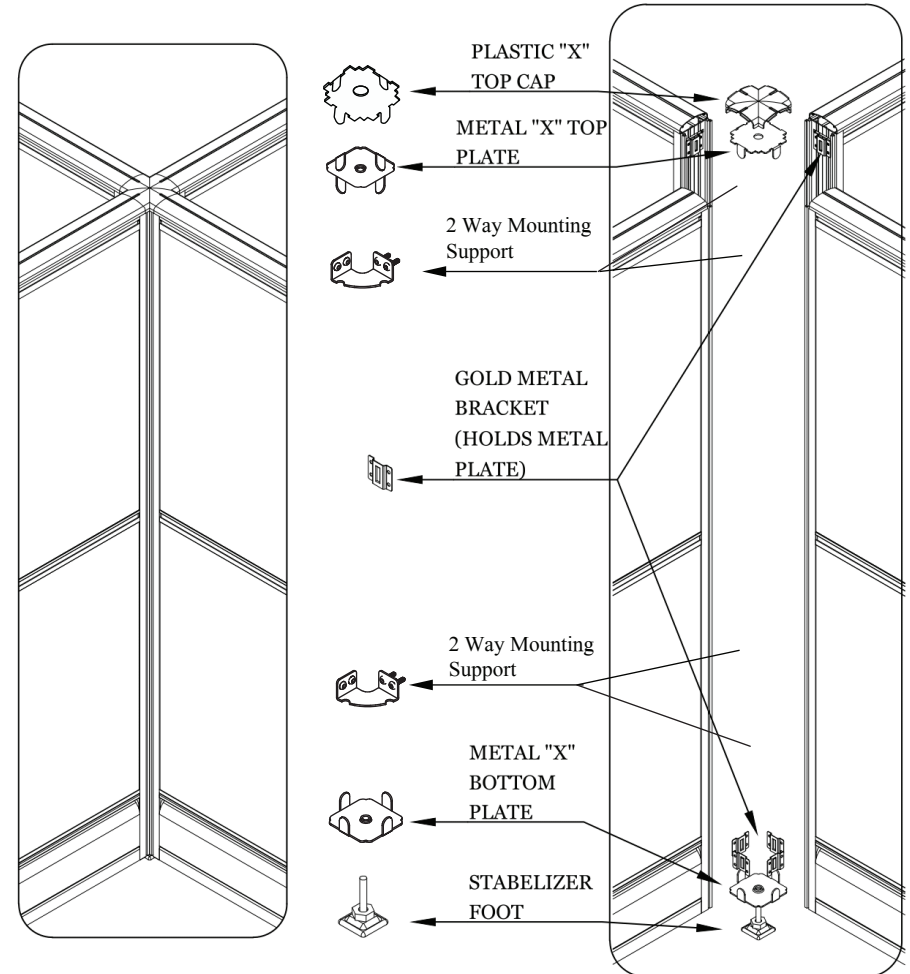
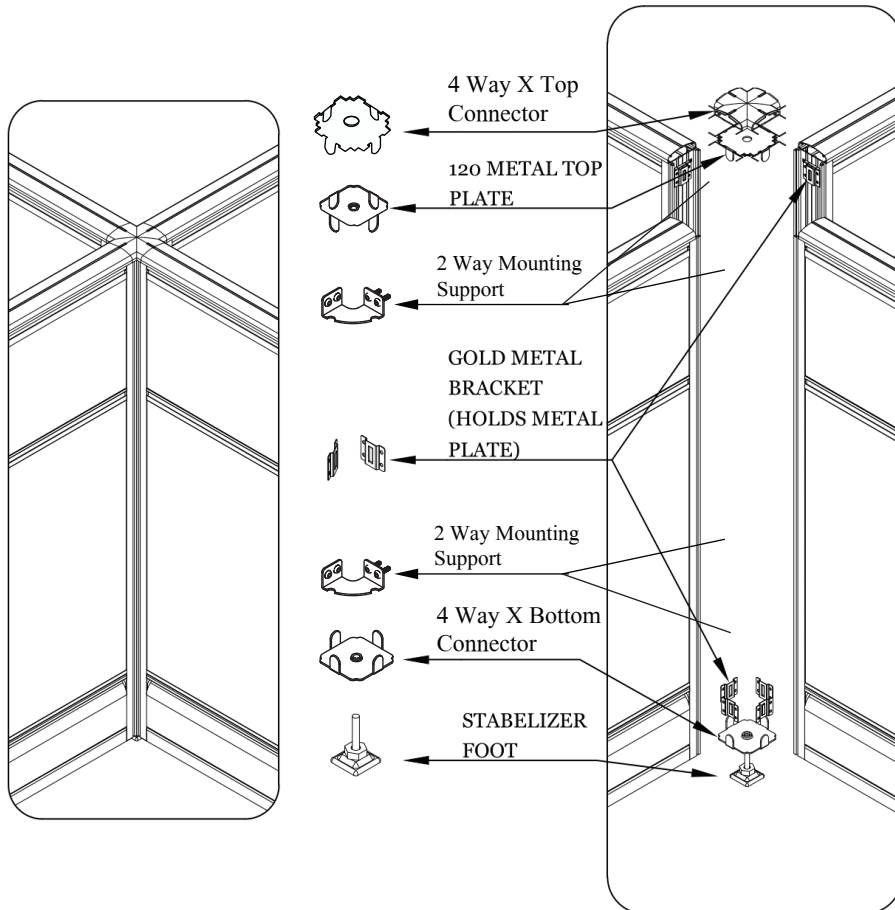
EMERALD INSTALLATION:

4 Way "X" Connector  
39" High



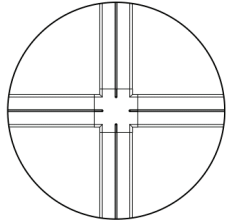
EMERALD INSTALLATION:

4 Way "X" Connector  
52" High



VIEW VIDEO - X-Connector:

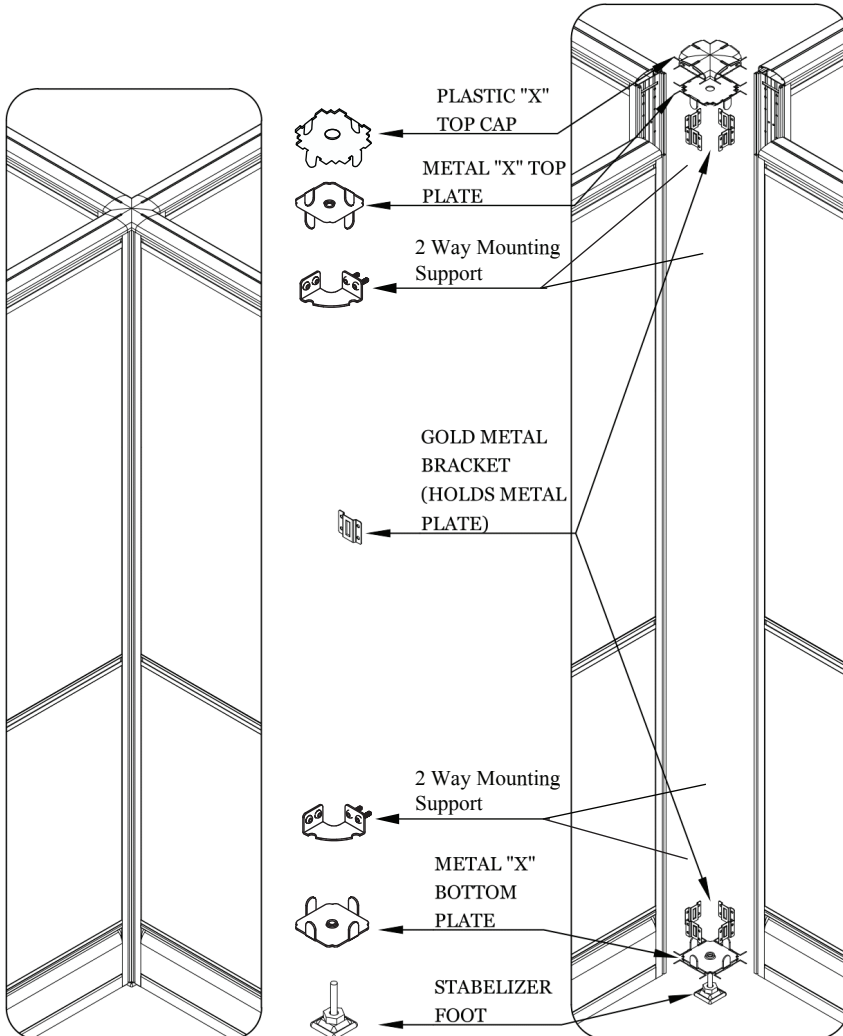
[http://www.youtube.com/watch?feature=player\\_embedded&v=oU8zZM4fYo8#at=48](http://www.youtube.com/watch?feature=player_embedded&v=oU8zZM4fYo8#at=48)



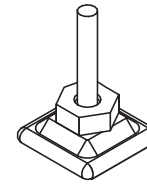
**EMERALD INSTALLATION:**

4 Way "X" Connector

65" High

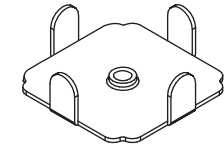


(A)



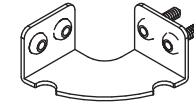
Foot

(B)



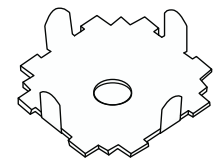
4 Way X Bottom Connector

(C)

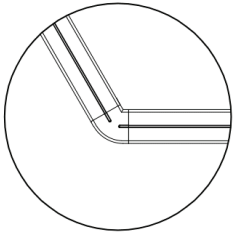


2 Way Mounting Support

(D)

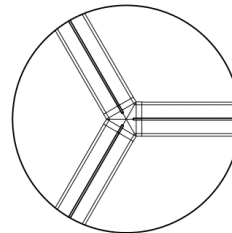


4 Way X Top Connector



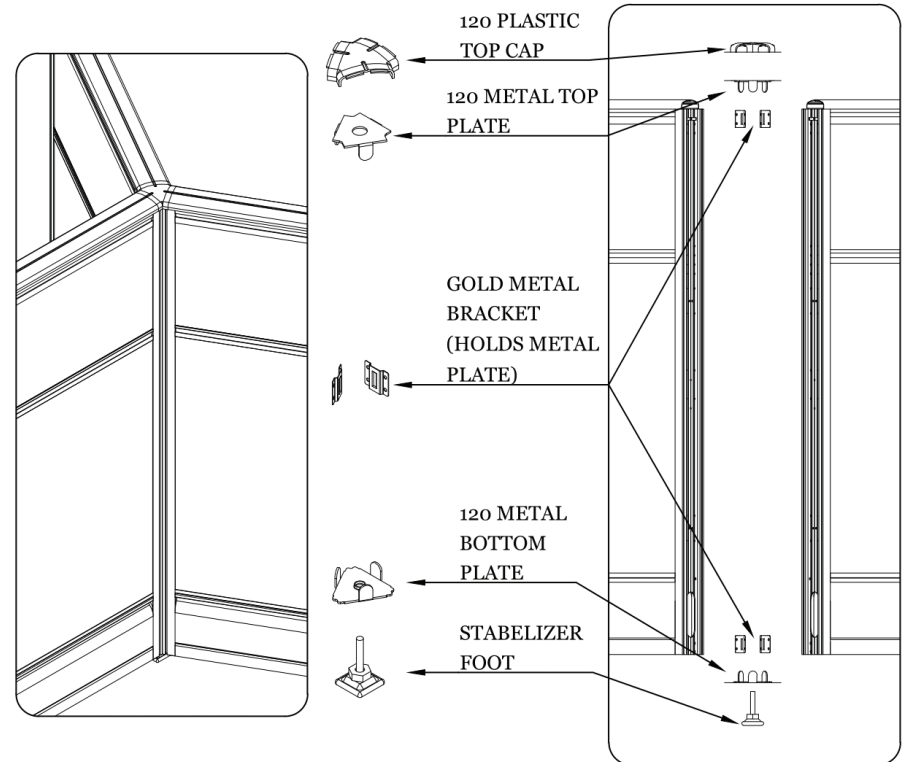
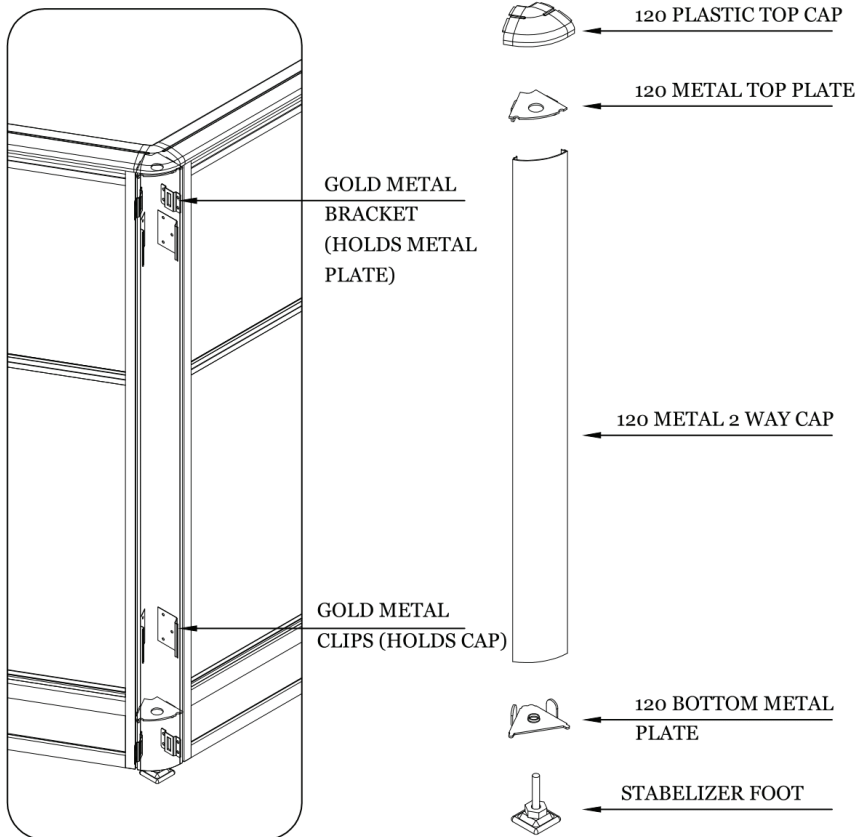
EMERALD INSTALLATION:

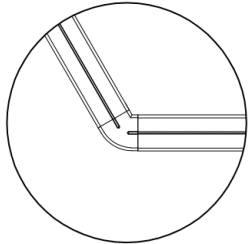
120 Degree 2 Way Connector  
39" High



EMERALD INSTALLATION:

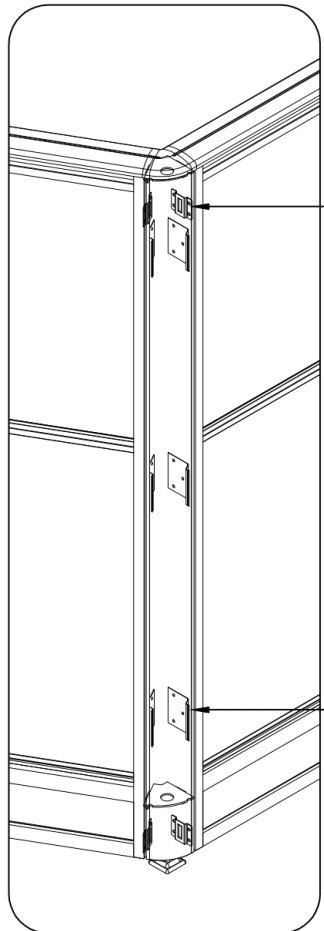
120 Degree 3 Way Connector  
39" High





**EMERALD INSTALLATION:**

120 Degree 2 Way Connector  
52" High



GOLD METAL  
BRACKET  
(HOLDS METAL  
PLATE)

GOLD METAL  
CLIPS  
(HOLDS CAP)



120 PLASTIC TOP CAP



120 METAL TOP PLATE



120 METAL 2 WAY CAP



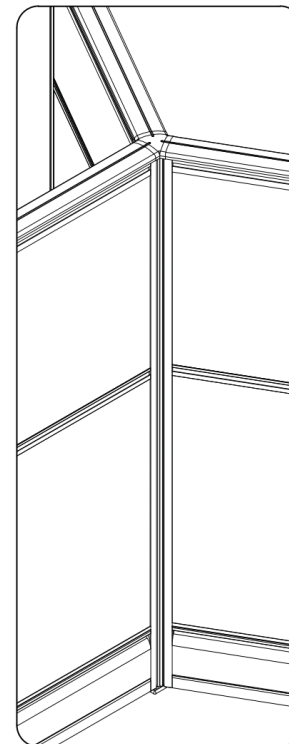
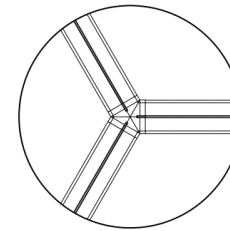
120 BOTTOM METAL  
PLATE



STABILIZER FOOT

**EMERALD INSTALLATION:**

120 Degree 3 Way Connector  
52" High



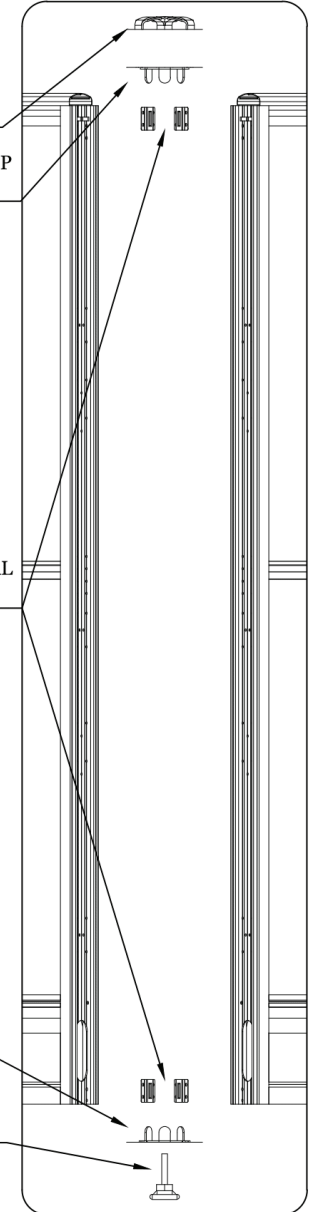
120 PLASTIC  
TOP CAP

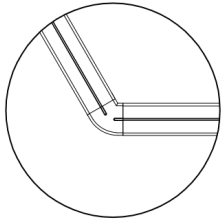
120 METAL TOP  
PLATE

GOLD METAL  
BRACKET  
(HOLDS METAL  
PLATE)

120 METAL  
BOTTOM  
PLATE

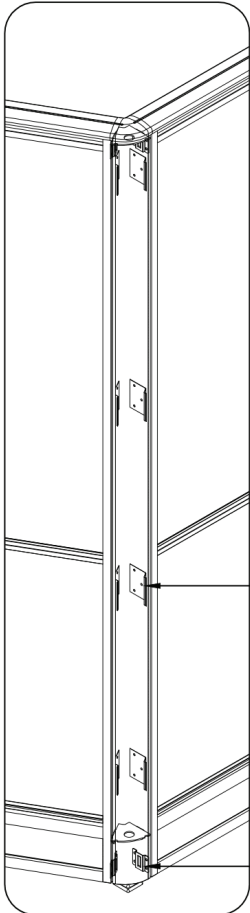
STABILIZER  
FOOT






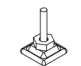



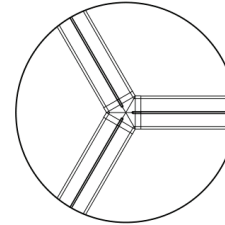


EMERALD INSTALLATION:

120 Degree 2 Way Connector  
65" High

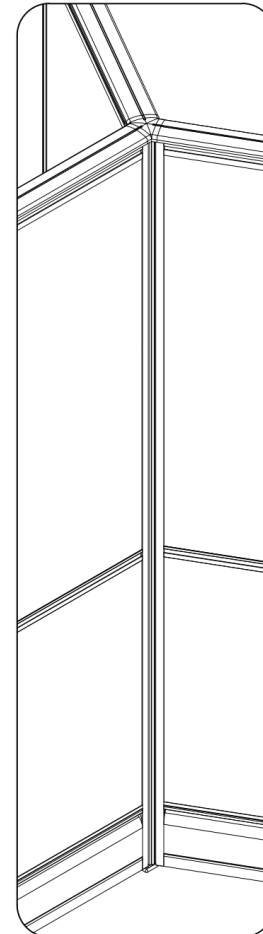






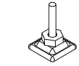
-  120 PLASTIC TOP CAP
-  120 METAL TOP PLATE
-  120 METAL 2 WAY CAP
-  GOLD METAL CLIPS (HOLDS CAP)
-  120 BOTTOM METAL PLATE
-  STABELIZER FOOT
-  GOLD METAL BRACKET (HOLDS METAL PLATE)

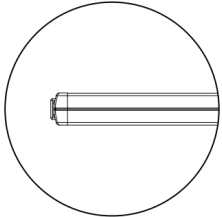


EMERALD INSTALLATION:

120 Degree 3 Way Connector  
65" High

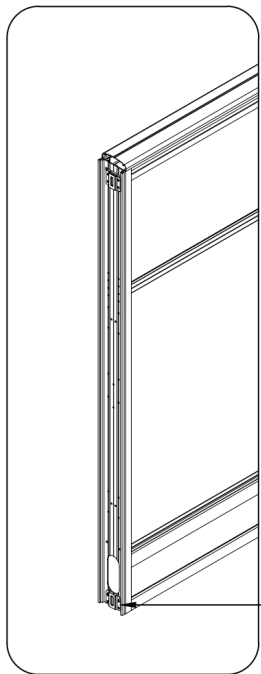


-  120 PLASTIC TOP CAP
-  120 METAL TOP PLATE
-  GOLD METAL BRACKET (HOLDS METAL PLATE)
-  120 METAL BOTTOM PLATE
-  STABELIZER FOOT



EMERALD INSTALLATION:

End Trim  
39" High



GOLD METAL  
BRACKET  
(HOLDS METAL  
PLATE)



← PLASTIC END TOP CAP



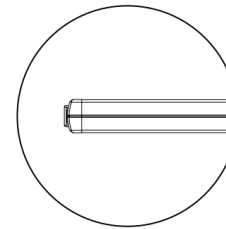
← METAL END TRIM CAP



← METAL END TRIM  
PLATE

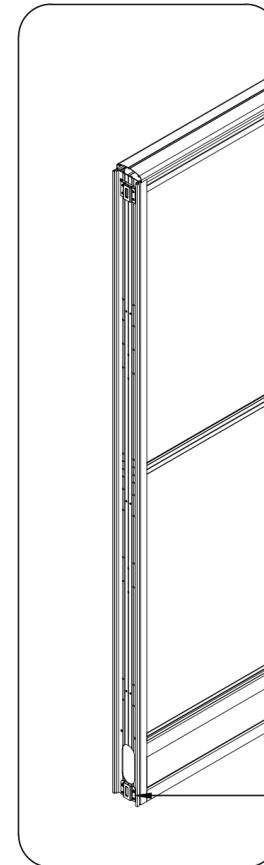


← STABELIZER FOOT



EMERALD INSTALLATION:

End Trim  
52" High



GOLD METAL  
BRACKET  
(HOLDS METAL  
PLATE)



← PLASTIC END TOP CAP



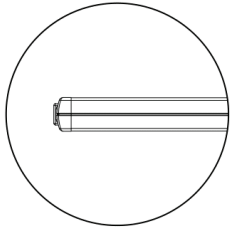
← METAL END TRIM CAP



← METAL END TRIM  
PLATE



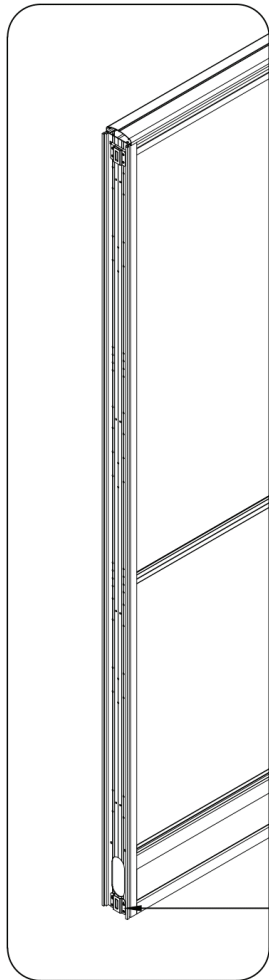
← STABELIZER FOOT



EMERALD INSTALLATION:

End Trim  
65" High

View End Trim Installation Video Here:  
<https://www.youtube.com/watch?v=5iF8eImECs0>



← PLASTIC END TOP CAP



← METAL END TRIM CAP



← METAL END TRIM  
PLATE



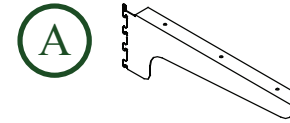
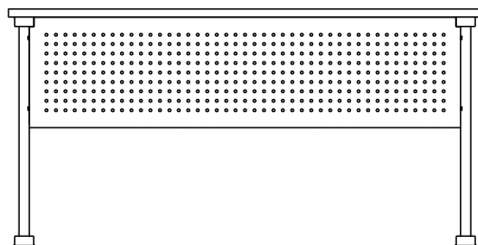
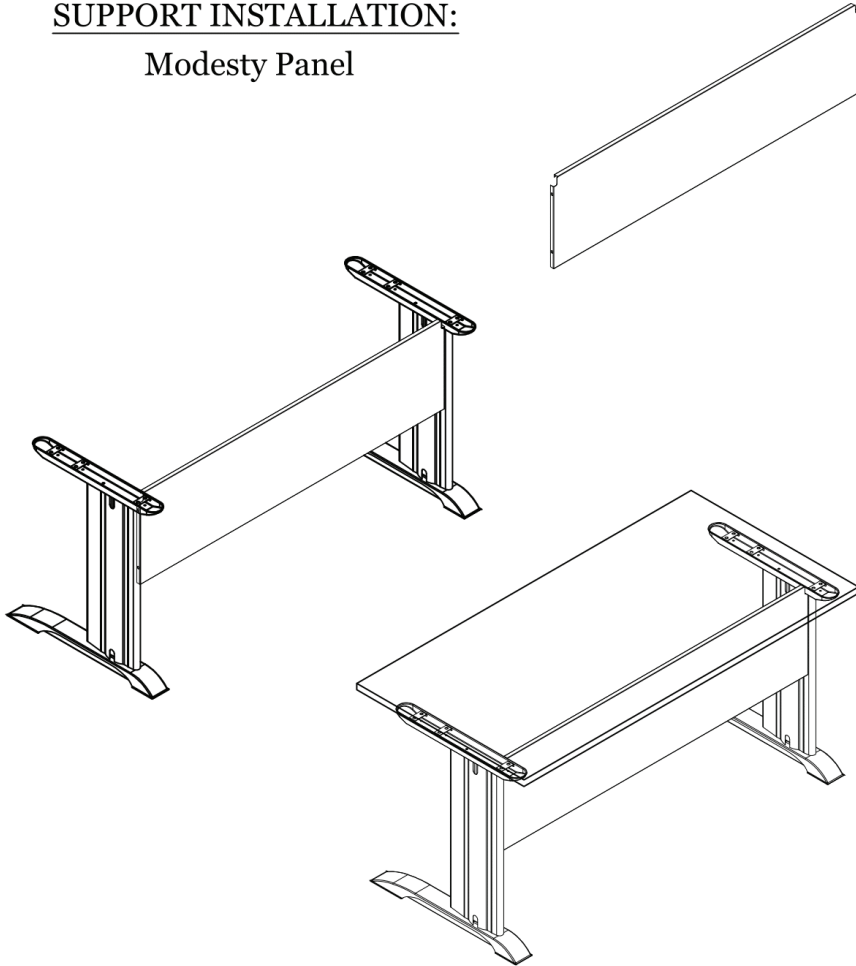
← STABELIZER FOOT

GOLD METAL  
BRACKET  
(HOLDS  
METAL  
PLATE)

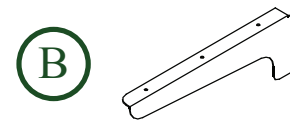
View Cantilever Install Video Here:  
<https://www.youtube.com/watch?v=5iF8elmECs0>

SUPPORT INSTALLATION:

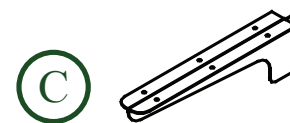
Modesty Panel



(Left) Single Cantilever



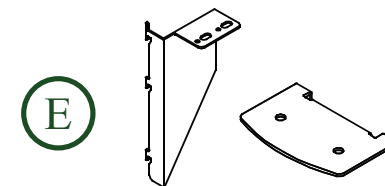
(Right) Single Cantilever



Double Cantilever

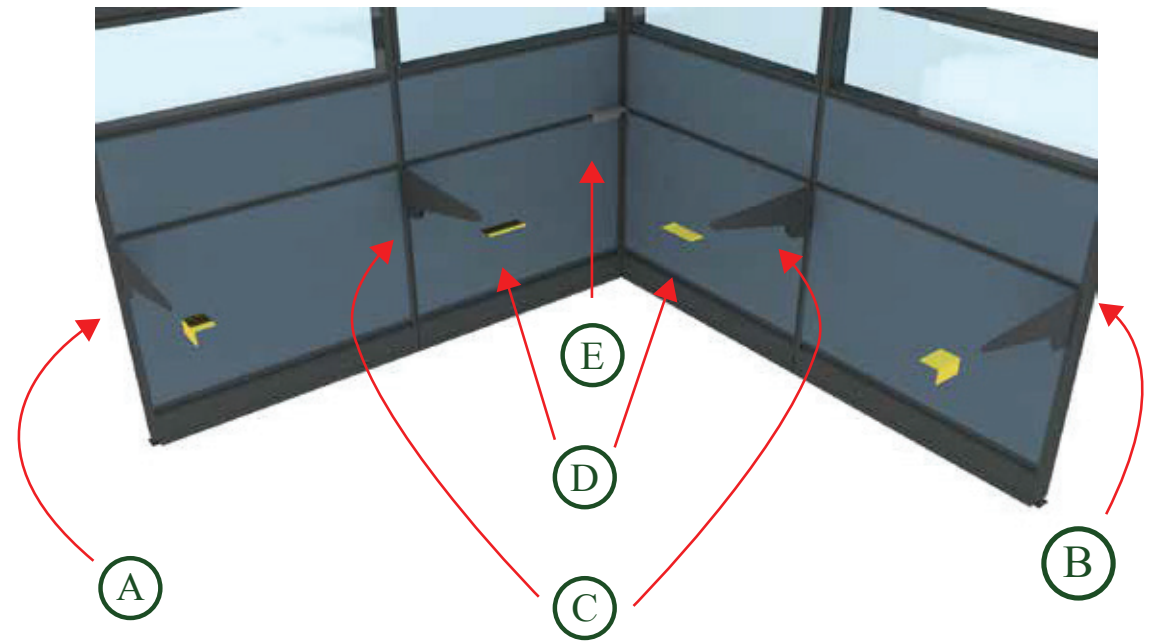
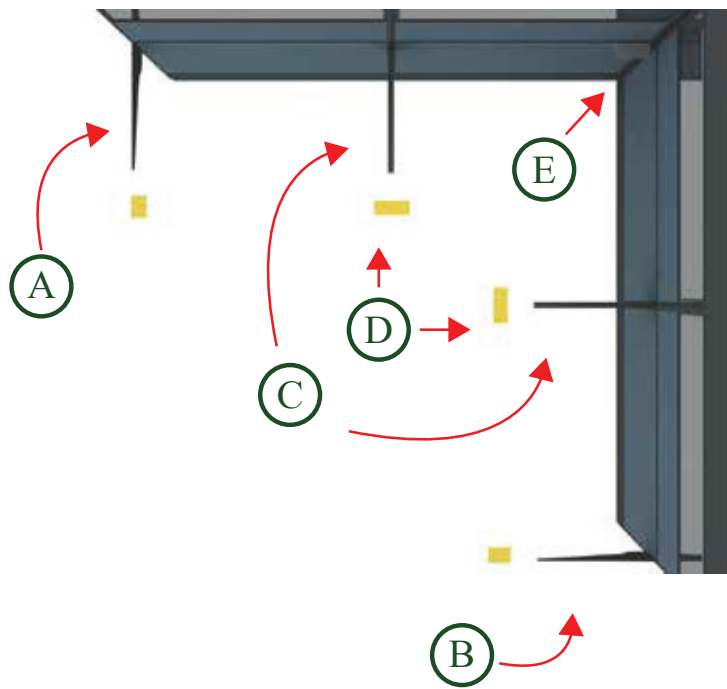


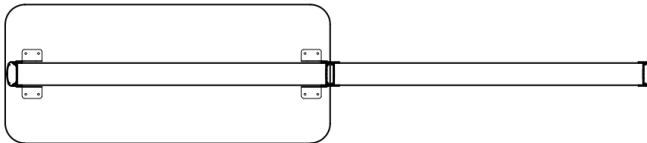
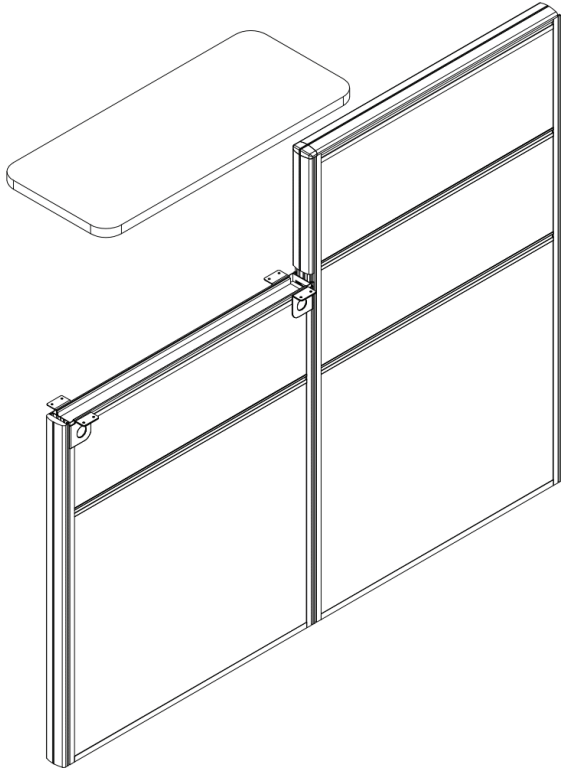
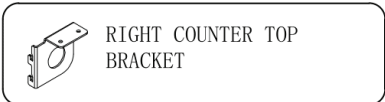
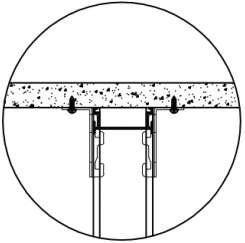
Flat Bracket



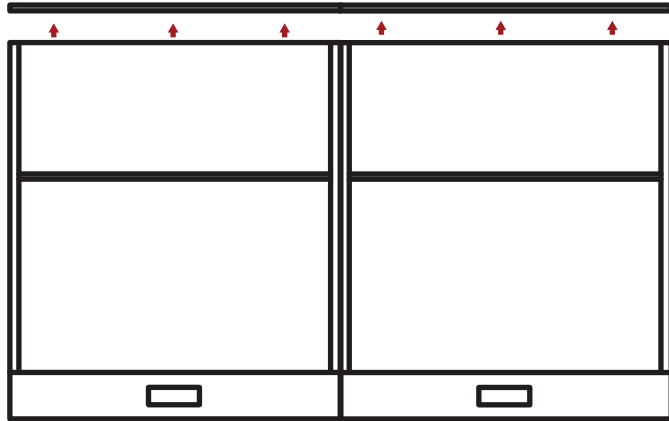
Corner Worksurface Support  
(2 Styles)



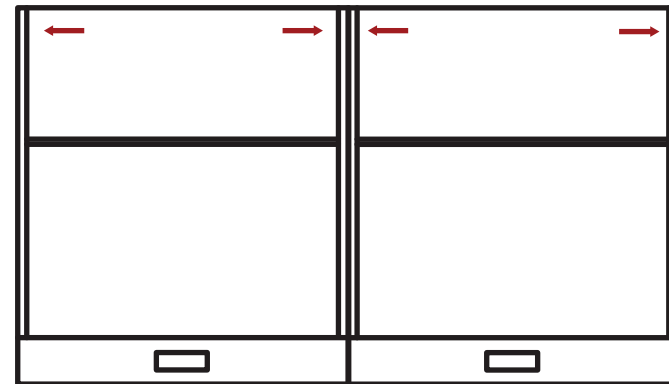




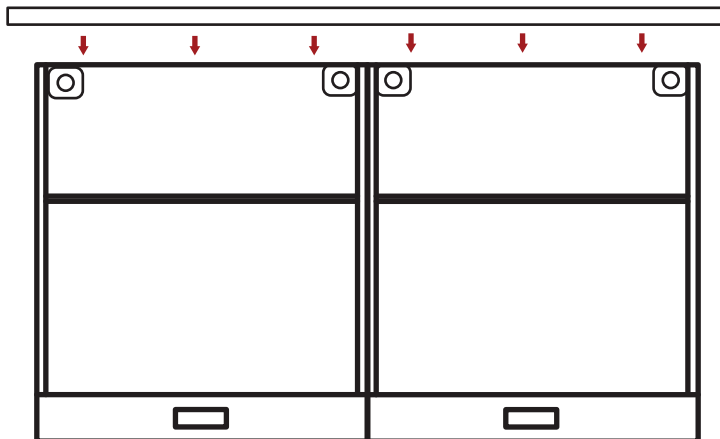
1. Remove Top Caps from Panels.



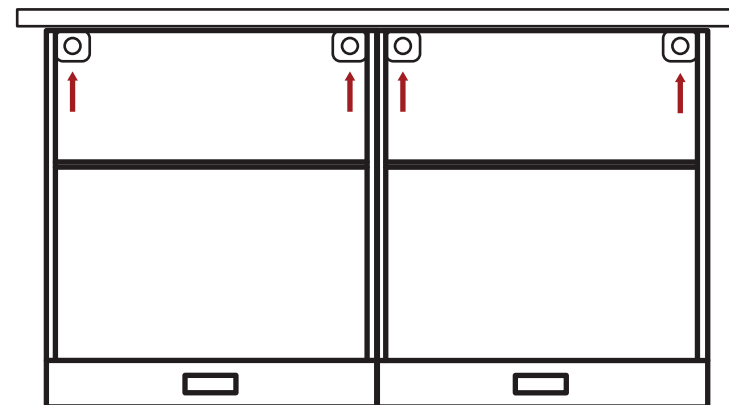
2. Install Transaction Top Support Brackets. (Front and Back of Panels)



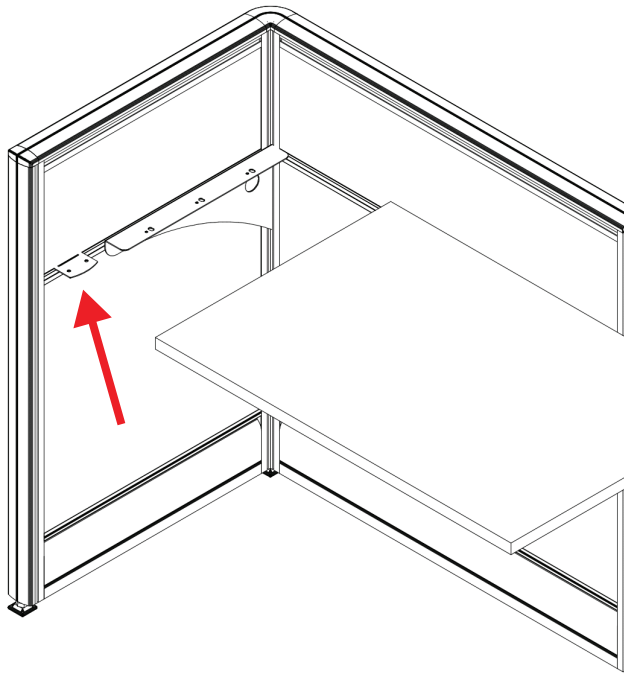
3. Center and Place Transaction Top(s)



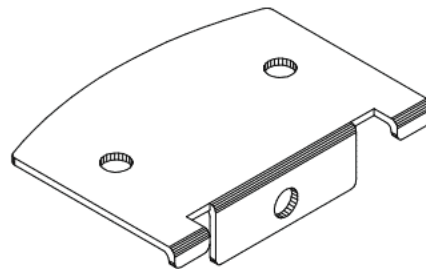
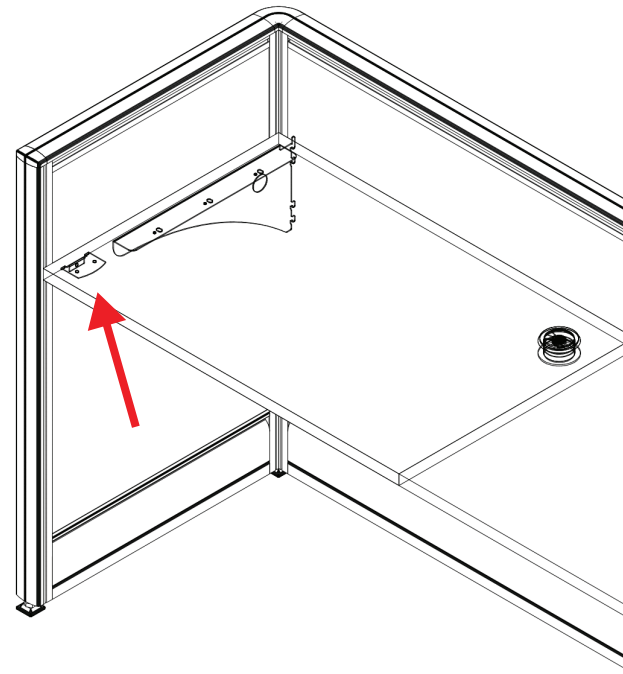
4. Secure Transaction Top(s) by screwing through holes in brackets into Top from underneath.



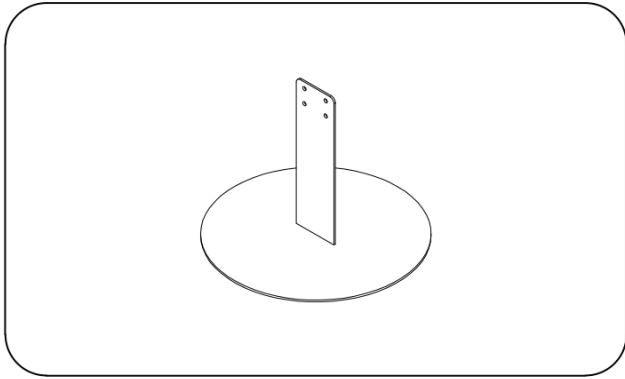
Top View



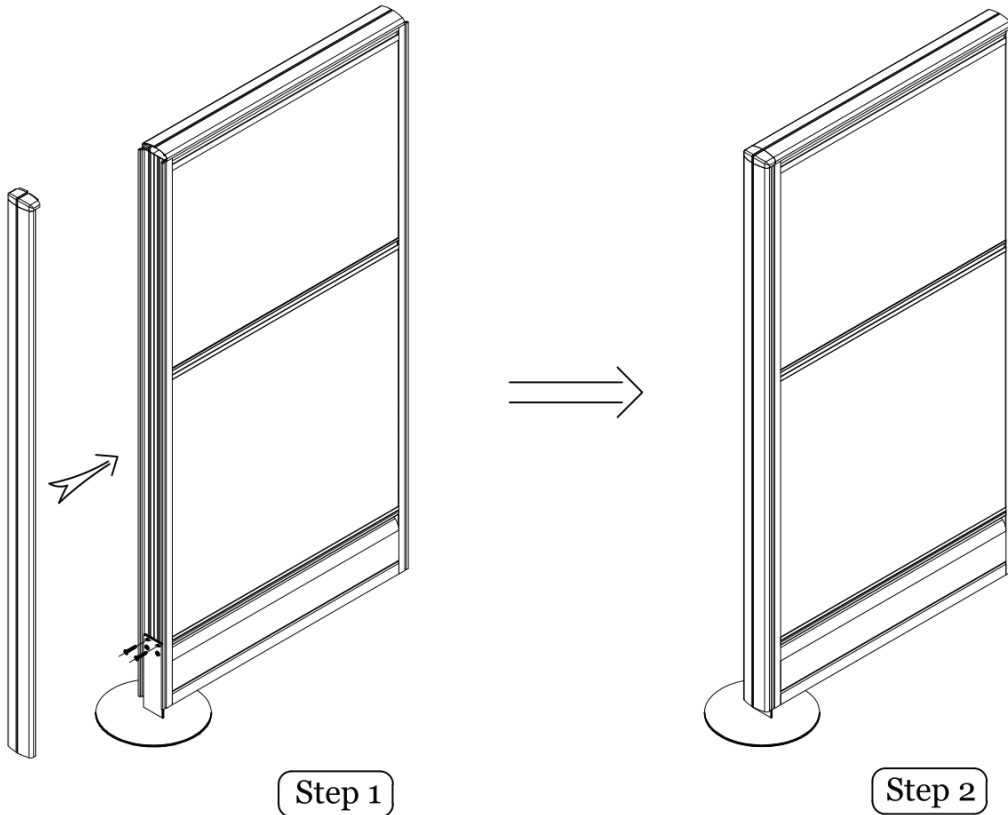
Top View Shown Through Worksurface



**Wing Panel Bracket**

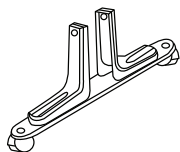
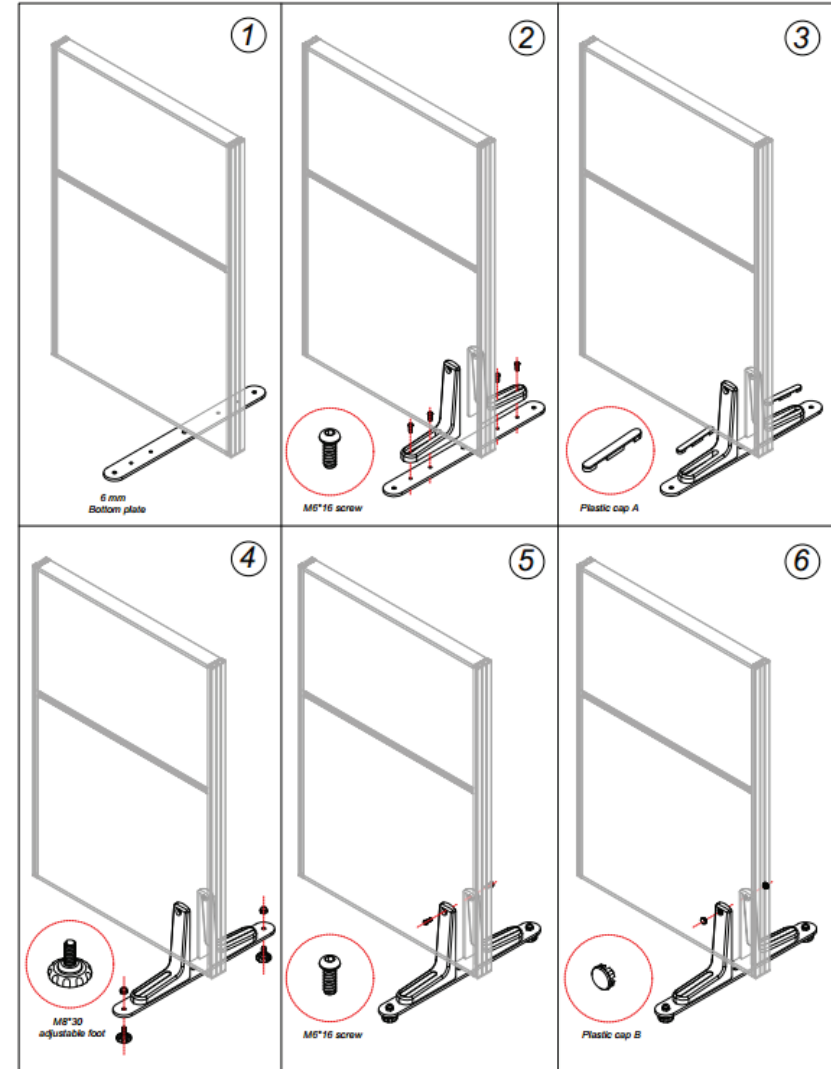


SUPPORT  
INSTALLATION:  
Round Foot

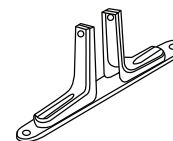


VIEW INSTALLING a Rolling or Stationary Panel:

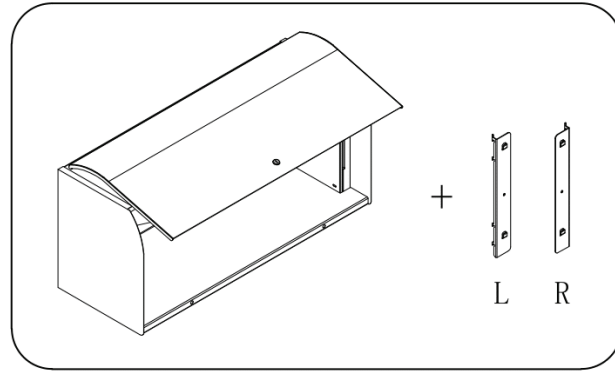
[http://www.youtube.com/watch?feature=player\\_embedded&v=DMwHR4UpBoM#at=20](http://www.youtube.com/watch?feature=player_embedded&v=DMwHR4UpBoM#at=20)



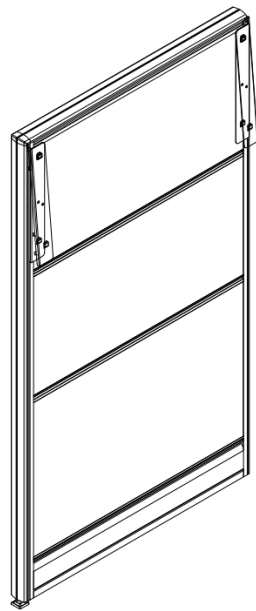
Panel Support Legs With Casters



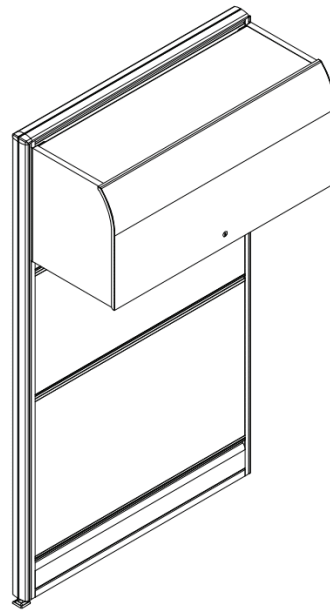
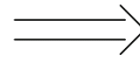
Panel Support Legs Without Casters



**STORAGE  
INSTALLATION:**  
Overhead Bin



Step 1



Step 2

The Power System is an eight wire system consisting of four individual circuits (see Fig. 1). Each Circuit is rated at 20amps/120 volts maximum. Circuit 1 (black), Circuit 2 (red) and Circuit 4 (pink), are served by a system neutral (white) and an equipment ground (green). Circuit 3 (blue) uses an isolated neutral (gray), and an isolated ground (green/yellow). The system may be supplied by a three phase power system with four individual Circuits rated at 20amps/120 volts maximum, or as permitted by local code.

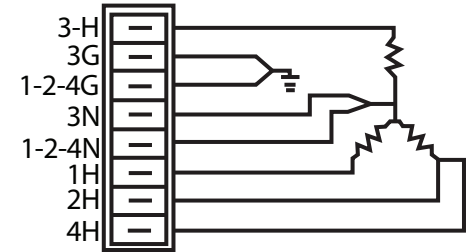
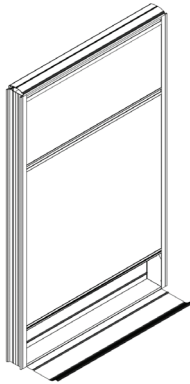
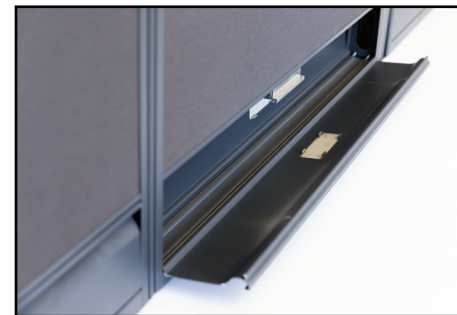
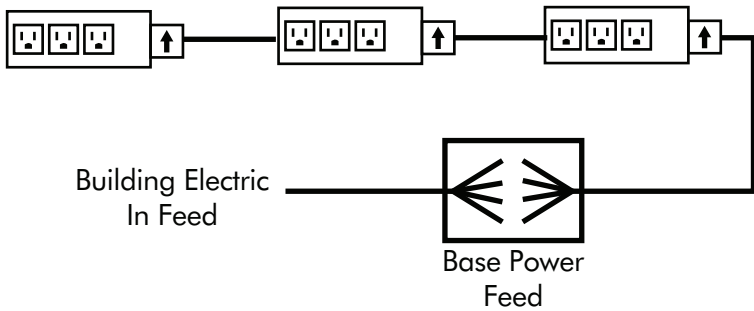


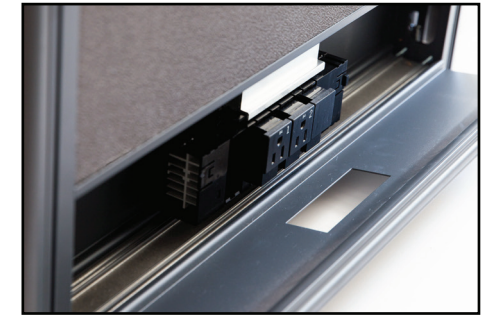
FIG 1



When connecting electric pass throughs to power moduals, please make sure ARROW is up!



Panel Shown Without Electric  
Hinged Racetrack door open to show  
area for electric and wired management



Shown with Electric Module



**FINAL CONNECTION IS DONE BY A LICENSED ELECTRICIAN.**

**WARNING:** Risk of Fire or Electrical Shock. As with all non-directional systems, Do Not electrically connect panel to more than one supply source. Always determine that the panel is electrically connected to one and only one source of supply. Before using any equipment, check the entire system for polarity, continuity, and grounding integrity.

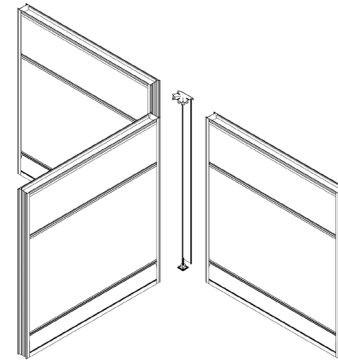
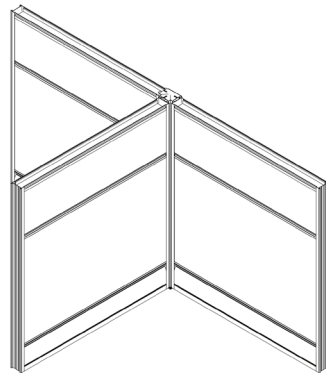
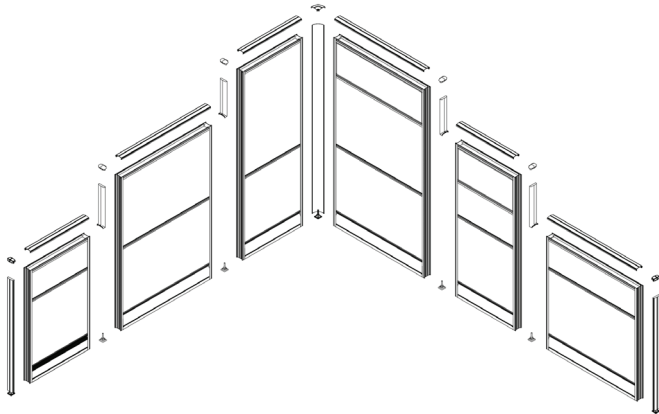
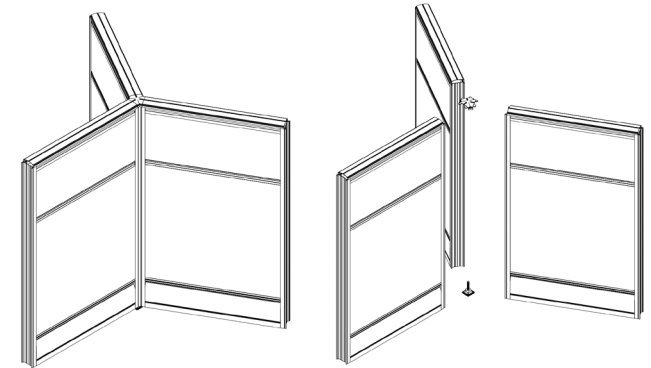
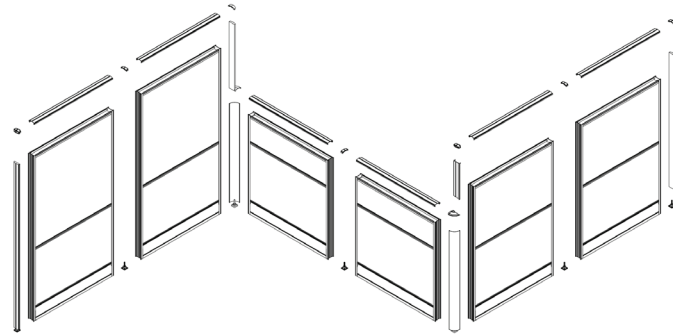
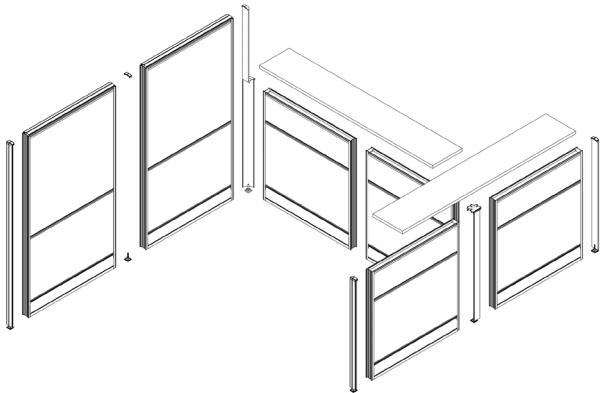
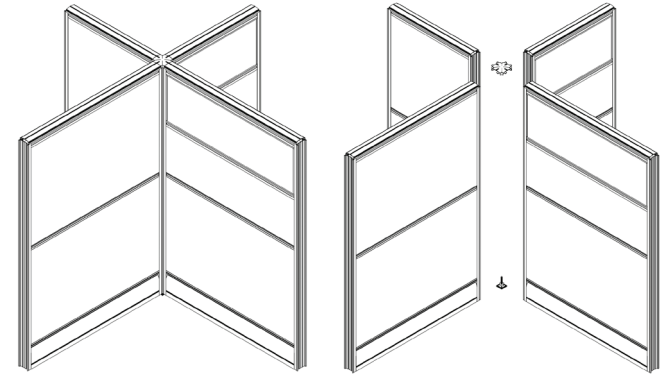
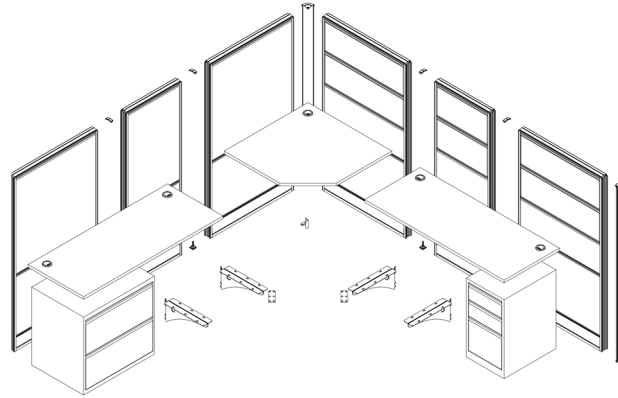
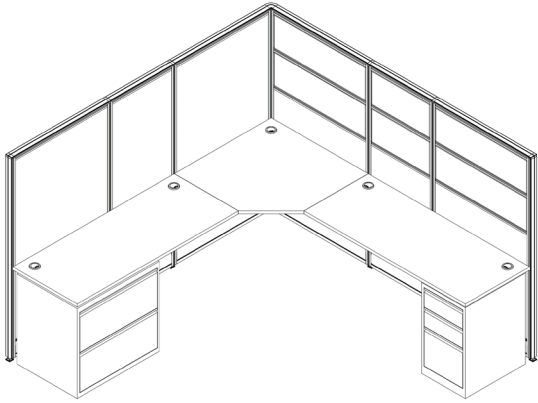


Panel Shown with Electric  
(you can order 1, 2, or  
3 and dedicated outlets)

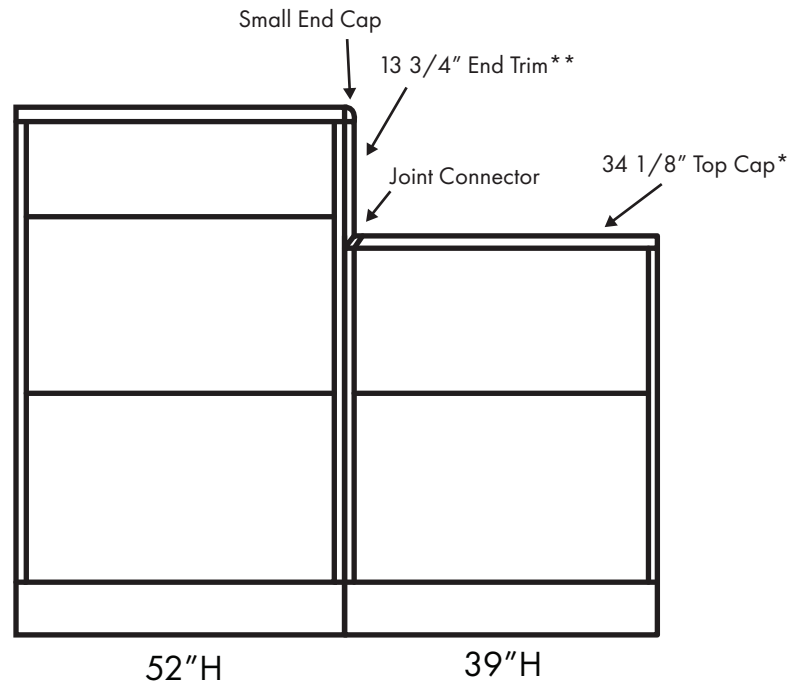
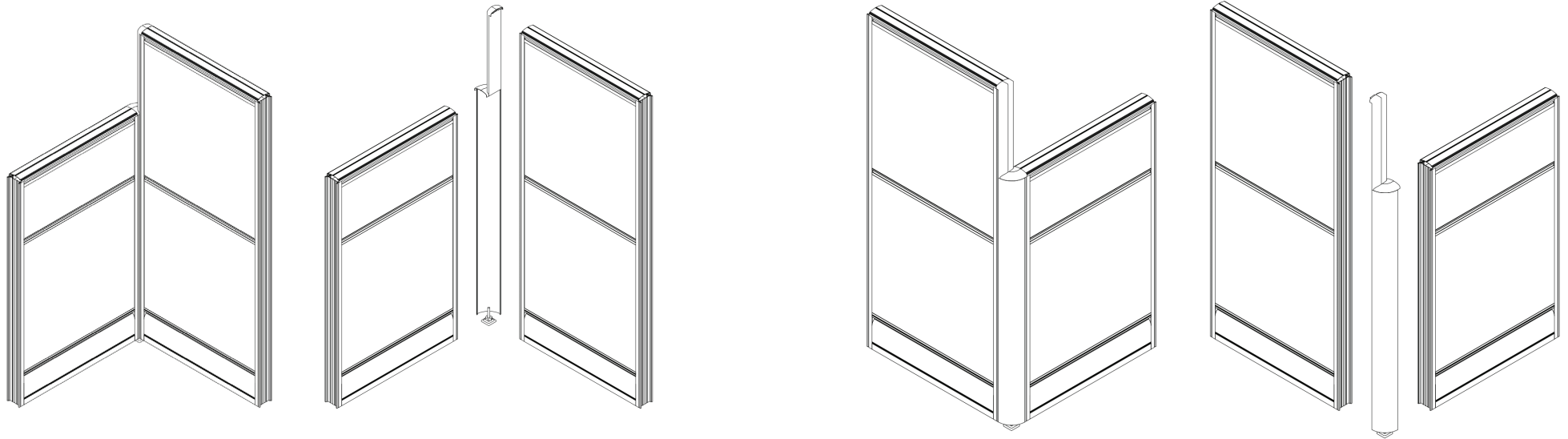


Show with Data and Phone  
(additional jacks can be added up to  
4 slots)

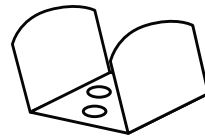




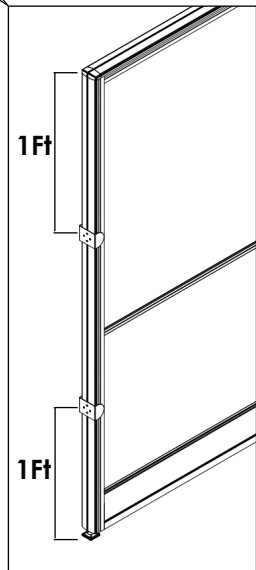
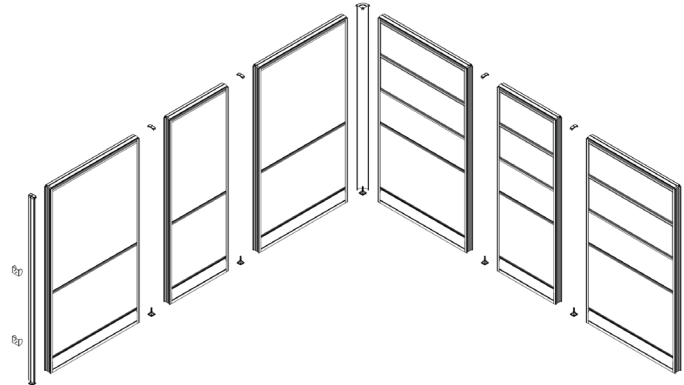
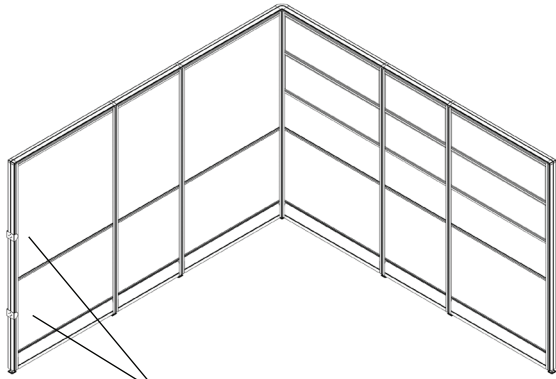
## L stepdown 52-39



VIEW INSTALLING a Wall Mount Video:  
<http://www.youtube.com/watch?v=5d8EOlx2CBw>

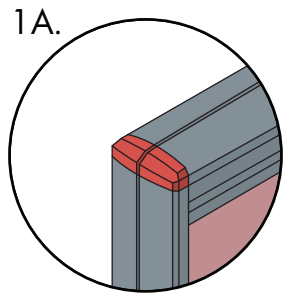


Wall Mount Connector

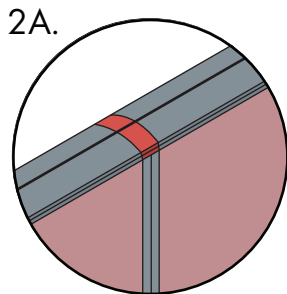


**\*Wall mount connector placement:**  
 One wall mount will be placed one foot from the floor. The second wall mount will be placed one foot from the top of the panel.

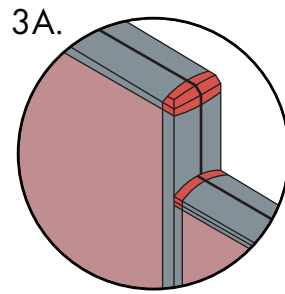
- Use two (2) brackets. Please install end trim.
- Push panel against bracket.
- The weight of the panel will hold panel in place.



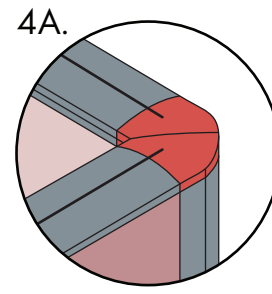
End Cap



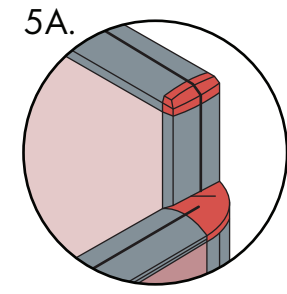
Straight Connector



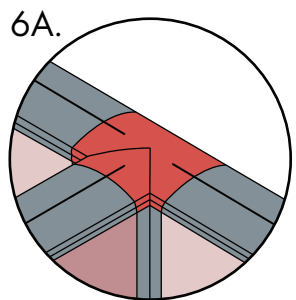
Straight Step Down Connector



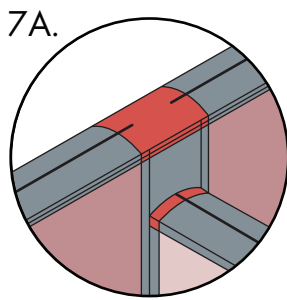
2 Way Connector



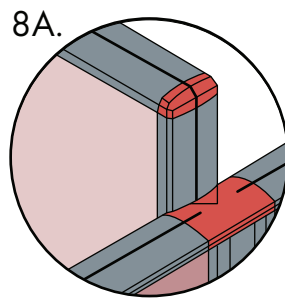
2 Way Step Down Connector



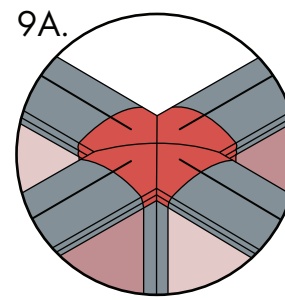
3 Way Connector



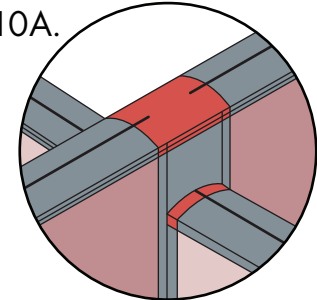
3 Way Step Down Interior Connector



3 Way Step Down Exterior Connector



4 Way Connector



4 Way Step Down Connector