

# QUANTUM II

SIT-STAND DESK SERIES

## Electric Sit-Stand Desk With Accessories



---

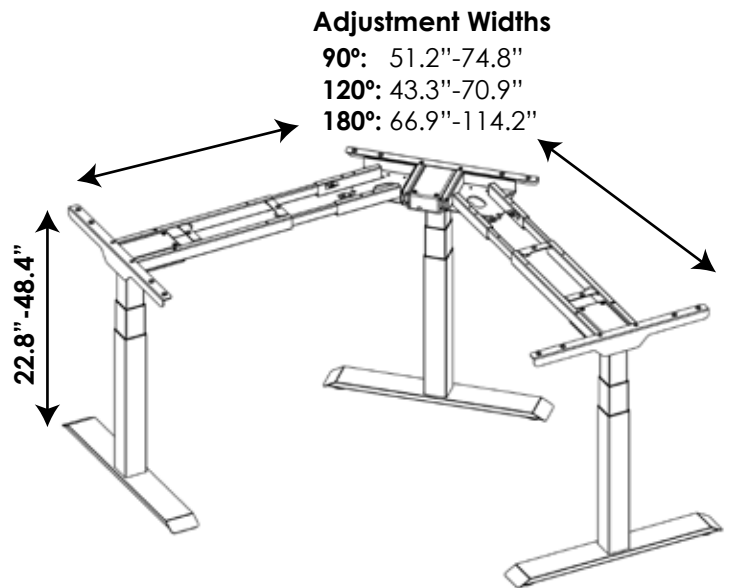
888-993-3757



[www.skutchi.com](http://www.skutchi.com)



## Electric Sit-Stand L-Shape Desk- Triple Motor



### Adjustment Widths

90°: 51.2"-74.8"

120°: 43.3"-70.9"

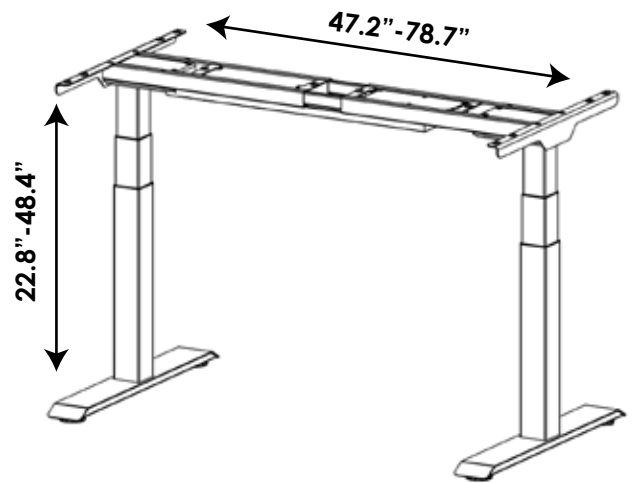
180°: 66.9"-114.2"

## Specifications

|                               |                                       |
|-------------------------------|---------------------------------------|
| <b>Product Category:</b>      | Electric Sit-Stand Desk               |
| <b>Rank:</b>                  | Premium                               |
| <b>Material:</b>              | Plastic, Steel                        |
| <b>Dimensions:</b>            | 22.8"~48.4"x43.3"~114.2"              |
| <b>Frame Orientation:</b>     | L-Shape(90°), V(120°), Straight(180°) |
| <b>Tabletop Thickness:</b>    | ≥0.98"                                |
| <b>Suggest Tabletop Size:</b> | (47.2"~78.7") 3.5" (47.2"~78.7")      |
| <b>Weight Capacity:</b>       | 330lbs                                |
| <b>Width Range:</b>           | 39.4"~66.9", 46.3"~96"                |
| <b>Height Range:</b>          | 22.8"~48.4"                           |
| <b>Column Design:</b>         | Upright Column                        |
| <b>Column Segments:</b>       | Three Stage Column                    |
| <b>Column Size:</b>           | 2.4" x 2.4", 2.5" x 2.5", 2.8" x 2.8" |

|   |                        |
|---|------------------------|
| <b>Leg Quantity:</b>                    | 3                      |
| <b>Frame Color:</b>                     | Grey                   |
| <b>Adjustable Feet Pad:</b>             | Yes                    |
| <b>Motor Quantity:</b>                  | 3                      |
| <b>Power Input:</b>                     | 110V/230V              |
| <b>Power Cord Length:</b>               | 9.8ft                  |
| <b>Max. Speed:</b>                      | 38mm/s                 |
| <b>Controller Type:</b>                 | Button Control Panel   |
| <b>Time Reminder:</b>                   | Yes                    |
| <b>Suggested Operating Temperature:</b> | 23°F-104°F             |
| <b>IP Grade:</b>                        | IP20                   |
| <b>Accessory Kit Package:</b>           | Normal/Ziplock Polybag |

## Dual Motor Electric Sit-Stand Desk With Square Column (Reversed)



### Specifications

|   |                                       |
|---|---------------------------------------|
| <b>Product Category:</b>                | Electric Sit-Stand Desk               |
| <b>Rank:</b>                            | Premium                               |
| <b>Material:</b>                        | Plastic,Steel                         |
| <b>Dimensions:</b>                      | 22.8"~48.4"x47.2"x78.7"               |
| <b>Frame Orientation:</b>               | Rectangular                           |
| <b>Tabletop Thickness:</b>              | ≥0.98"                                |
| <b>Suggest Tabletop Size:</b>           | (43.3"~86.6") x (27.6"~39.4")         |
| <b>Weight Capacity:</b>                 | 275lbs                                |
| <b>Width Range:</b>                     | 47.2"~78.7"                           |
| <b>Height Range:</b>                    | 22.8"~48.4"                           |
| <b>Column Design:</b>                   | Upright Column                        |
| <b>Column Segments:</b>                 | Three Stage Column                    |
| <b>Column Size:</b>                     | 2.4" x 2.4", 2.5" x 2.5", 2.8" x 2.8" |
| <b>Leg Quantity:</b>                    | Two Legs                              |
| <b>Frame Color:</b>                     | Grey                                  |
| <b>Adjustable Feet Pad:</b>             | Yes                                   |
| <b>Motor Quantity:</b>                  | 2                                     |
| <b>Power Input:</b>                     | 100~240V                              |
| <b>Power Cord Length:</b>               | 3m (9.8ft)                            |
| <b>Max. Speed:</b>                      | 38mm/s                                |
| <b>Controller Type:</b>                 | Button Control Panel                  |
| <b>Time Reminder:</b>                   | Yes                                   |
| <b>Suggested Operating Temperature:</b> | -5°C~40°C                             |
| <b>IP Grade:</b>                        | IP20                                  |
| <b>Certification:</b>                   | CE                                    |
| <b>Accessory Kit Package:</b>           | Normal/Ziplock Polybag                |



**Smooth Glide System**  
Improved design for tighter tolerance, quiet operation and eye-pleasing aesthetics

## Features



### Programmable Height Range

Customizes a minimum and maximum height setting that limits the operating range to accommodate objects around you, such as under desk cabinets.



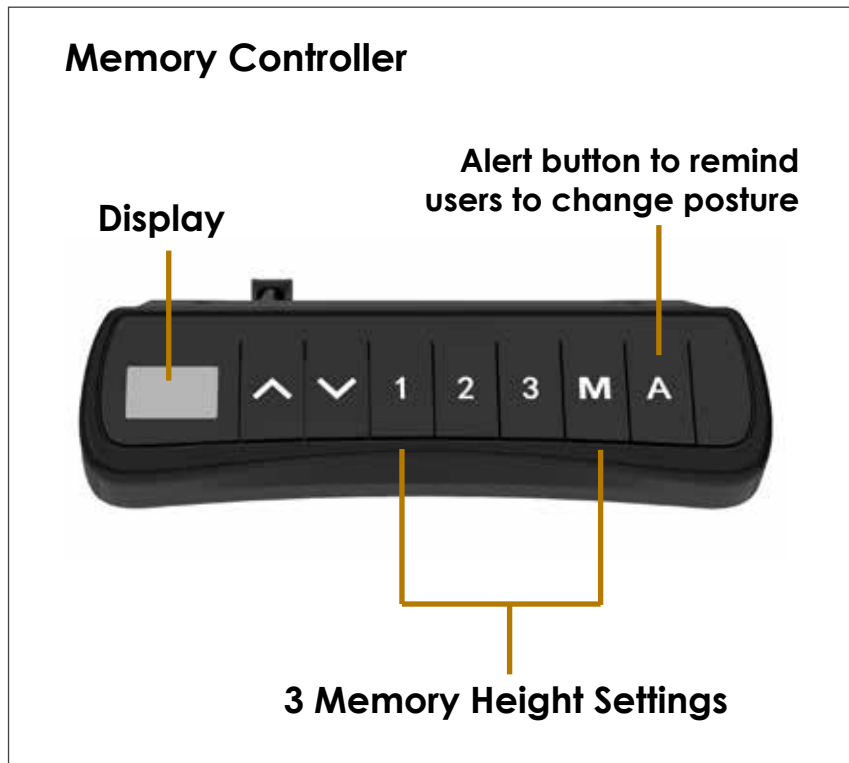
### Easy-Assembly

Advanced frame design reduces set-up time while providing long-term stability.



### Proprietary Gyro-Current Collision Avoidance System

Improved sensing technology for better detection of soft and hard objects in the movement path.



## Additional Features

- Motor(s) is(are) Thermal and Overload Protected: for safety and longevity
- 3 Programmable Memory: presets save your desired height
- Programmable height range: customizes the minimum and maximum height settings to accommodate objects around you, such as under desk cabinets or storage units
- Easy-Assembly: advanced frame design reduces set-up time while providing long-term stability for confident daily use
- Digital LED Memory Controller: for customizable settings
- Sit/Stand Time Reminder: for regular movement
- Programmable Proprietary Gyro-Current Collision Avoidance System: improved sensing technology for better detection of soft and hard objects in the movement path
- Three Stage Standard Column: offers more adjustability



## Slat Wall Bundle Options:

### Option A:

Wall Mount Accessory Rail Bundle

SKU: **WALL-MOUNT-AR**

- 1x- Wall Mount
- 1x- Slat Wall
- 1x- Paper Tray
- 1x- Pencil Cup
- 1x- Single Monitor Arm

### Option B:

Desk Mount Accessory Rail Single Sided

SKU: **DESK-MOUNT-AR-SINGLE**

- 1x- Desk Mount
- 1x- Slat Wall
- 1x- Paper Tray
- 1x- Pencil Cup
- 1x- Single Monitor Arm

### Option C:

Desk Mount Accessory Rail

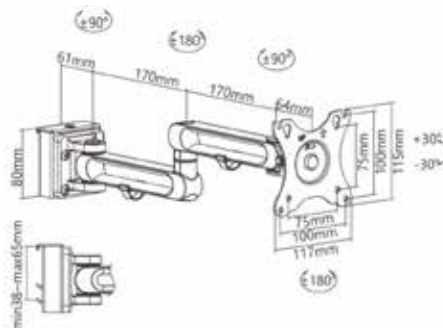
Double Sided

SKU: **DESK-MOUNT-AR-DOUBLE**

- 1x- Desk Mount
- 1x- Slat Wall
- 2x- Paper Tray
- 2x- Pencil Cup
- 2x- Single Monitor Arm

\*Details of items are below

## Single Screen Aluminum Monitor Arm For Slat Wall



### Features

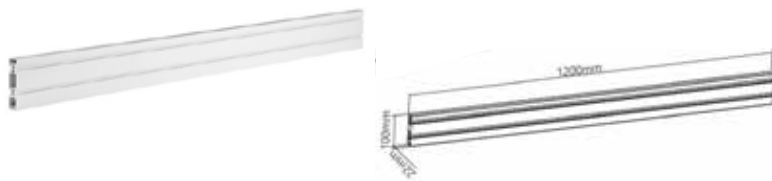
- Easy to adjust, no tools required
- Free-Tilting Design: for multiple monitor viewing angles
- Keyhole Pattern: allows for easy installation
- Space-Saving Design: free up and gain additional desktop work space
- Cable Clip: routes cables to reduce clutter for a clean look and more organized place

### Specifications

|                                  |  |                                      |                |
|----------------------------------|--|--------------------------------------|----------------|
| <b>VESA Compatible:</b>          | 75x75,100x100                                  | <b>Product Category:</b>             | Monitor Hanger |
| <b>Tilt Range:</b>               | +30°~-30°                                      | <b>Rank:</b>                         | Premium        |
| <b>Swivel Range:</b>             | +90°~-90°                                      | <b>Material:</b>                     | Steel,Aluminum |
| <b>Screen Rotation:</b>          | +180°~-180°                                    | <b>Surface Finish:</b>               | Powder Coating |
| <b>Arm Full Extension:</b>       | 13.4"  | <b>Color:</b>                        | Matte White    |
| <b>Installation:</b>             | Hanger   | <b>Dimensions:</b>                   | 4.6"x18.3"x6"  |
| <b>Quick Release VESA Plate:</b> | No   | <b>Fit Screen Size:</b>              | 17"-32"        |
| <b>Cable Management:</b>         | Yes  | <b>Screen Quantity:</b>              | 1              |
| <b>Accessory Kit Package:</b>    | Compartment Polybag,<br>Normal/Ziplock Polybag | <b>Weight Capacity (per screen):</b> | 17.6lbs        |



### Aluminum Slatwall Panel



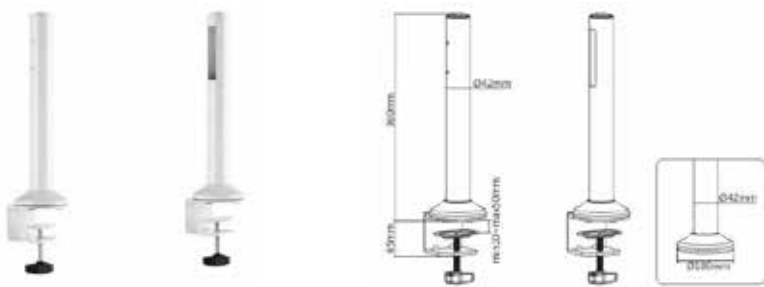
#### Features

- Two-Sided Slots: provide an economical and efficient approach to satisfy multiuser requirements
- Aluminum Construction: provides a sleek, lighter, and elegant look
- Modular System: changes the configuration or adds to your design at any time

#### Specifications

|                          |                 |                               |                  |
|--------------------------|-----------------|-------------------------------|------------------|
| <b>Product Category:</b> | Slatwall System | <b>Color:</b>                 | Matte White      |
| <b>Rank:</b>             | Standard        | <b>Dimensions:</b>            | 47.2"x0.87"x3.9" |
| <b>Material:</b>         | Aluminum        | <b>Weight Capacity:</b>       | 88lbs            |
| <b>Surface Finish:</b>   | Powder Coating  | <b>Accessory Kit Package:</b> | No               |

### Slatwall Desk Mounting Pole

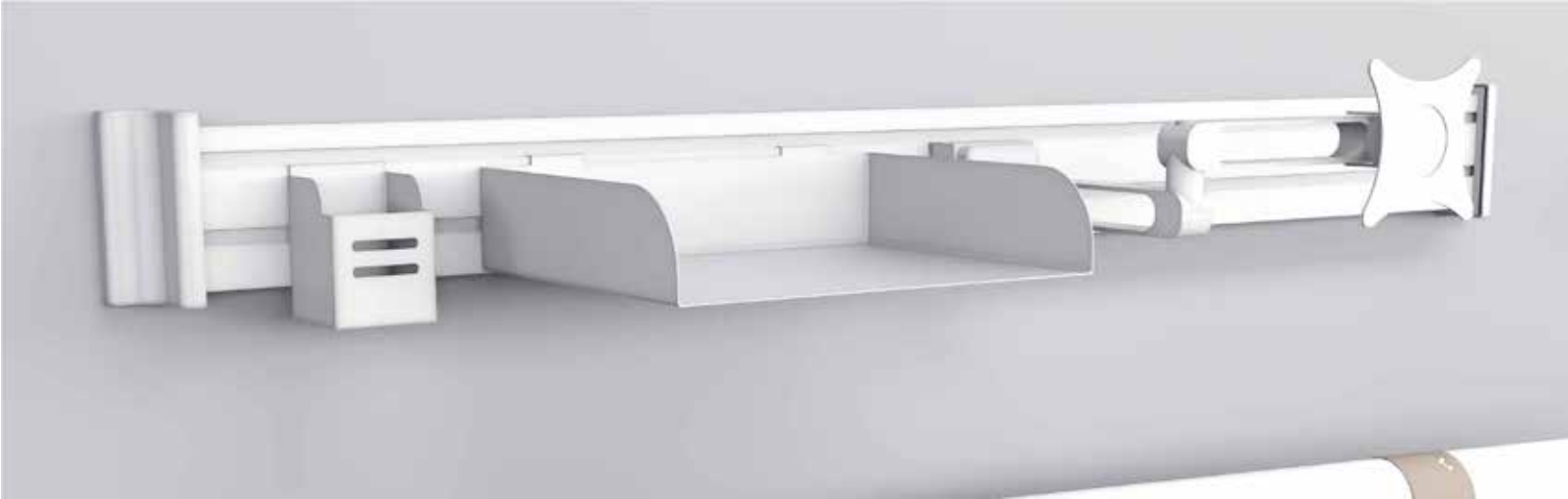


#### Features

- Two Mounting Options: both desk clamp and grommet are included
- Heavy-Duty Steel Construction: provides extra strength and durability
- Modular System: changes the configuration or adds to your design at any time

#### Specifications

|                          |                 |                               |                        |
|--------------------------|-----------------|-------------------------------|------------------------|
| <b>Product Category:</b> | Slatwall System | <b>Color:</b>                 | Matte White            |
| <b>Rank:</b>             | Standard        | <b>Dimensions:</b>            | 3.9"x4.1"x16.7"        |
| <b>Material:</b>         | Steel           | <b>Weight Capacity:</b>       | 110lbs                 |
| <b>Surface Finish:</b>   | Powder Coating  | <b>Accessory Kit Package:</b> | Normal/Ziplock Polybag |



### Slatwall Wall Mounting Plate



#### Features

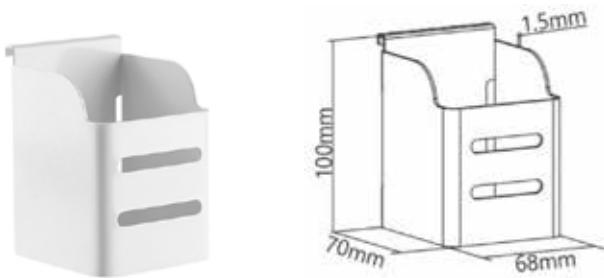
- Modular System: changes the configuration or adds to your design at any time
- Wall Mounting: optimizes desktop space while creating additional storage areas on wall

#### Specifications

|                          |                 |
|--------------------------|-----------------|
| <b>Product Category:</b> | Slatwall System |
| <b>Rank:</b>             | Standard        |
| <b>Material:</b>         | Steel,Plastic   |
| <b>Surface Finish:</b>   | Powder Coating  |

|                               |   |
|-------------------------------|---|
| <b>Color:</b>                 | Matte White                                 |
| <b>Dimensions:</b>            | 1.8"x2.2"x4.7"                              |
| <b>Weight Capacity:</b>       | 110lbs                                      |
| <b>Accessory Kit Package:</b> | Normal/Ziplock Polybag, Compartment Polybag |

### Pencil Cup



#### Features

- Make additional storage for less desktop clutter
- Heavy-Duty Steel Construction: provides extra strength and durability
- Modular System: changes the configuration or adds to your design at any time

#### Specifications

|                          |                 |
|--------------------------|-----------------|
| <b>Product Category:</b> | Slatwall System |
| <b>Rank:</b>             | Standard        |
| <b>Material:</b>         | Steel           |
| <b>Surface Finish:</b>   | Powder Coating  |

|                               |                |
|-------------------------------|----------------|
| <b>Color:</b>                 | Matte White    |
| <b>Dimensions:</b>            | 2.7"x2.8"x3.9" |
| <b>Weight Capacity:</b>       | 2.2lbs         |
| <b>Accessory Kit Package:</b> | No             |

## Paper Tray



### Features

- Make additional storage for less desktop clutter.
- Heavy-Duty Steel Construction: provides extra strength and durability.
- Modular System: changes the configuration or adds to your design at any time.

### Specifications

|                          |                 |                               |                 |
|--------------------------|-----------------|-------------------------------|-----------------|
| <b>Product Category:</b> | Slatwall System | <b>Color:</b>                 | Matte White     |
| <b>Rank:</b>             | Standard        | <b>Dimensions:</b>            | 12.5"x9.8"x2.7" |
| <b>Material:</b>         | Steel           | <b>Weight Capacity:</b>       | 6.6lbs          |
| <b>Surface Finish:</b>   | Powder Coating  | <b>Accessory Kit Package:</b> | No              |

## Add-on

### Clamp-on Power Strip Holder



### Features

- Heavy-Duty Clamp Base: suits most desks with adjustable height
- Silicone Pad: prevents the device from scratching and accidental dropping (securely hold the device in place)
- Cable Management: elegantly hides any cables that are attached to displays

### Specifications

|                                     |                      |                               |               |
|-------------------------------------|----------------------|-------------------------------|---------------|
| <b>Product Category:</b>            | Power Strip Holder   | <b>Clamp Range:</b>           | 0.39"~2"      |
| <b>Rank:</b>                        | Standard             | <b>Installation:</b>          | Clamp         |
| <b>Material:</b>                    | ABS,Steel,Silica Gel | <b>Cable Management:</b>      | Yes           |
| <b>Surface Finish:</b>              | Powder Coating       | <b>Color:</b>                 | White         |
| <b>Dimensions:</b>                  | 3.9"x2.4"x6.1"       | <b>Patent:</b>                | 2017206247219 |
| <b>Weight Capacity:</b>             | 0.66lbs              | <b>Accessory Kit Package:</b> | No            |
| <b>Suggested Power Strip Width:</b> | 1.6"~2.4"            |                               |               |





## Proper Screen Height

Sitting/Standing



Laminate options for the worksurfaces.



**Black Oak  
(XD-1025)**



**Driftwood  
(XD-21)**



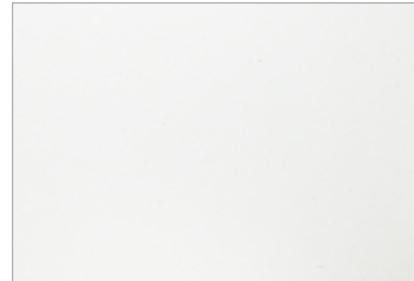
**Light Gray  
(XD-01)**



**Maple  
(XD-08)**



**Sea Salt  
(XD-1026)**



**White  
(XD-09)**

Domestic Laminates



**White Cypress  
(WA-7976)**



**Asian Night  
(WA-7949)**



**Black Cypress  
(U999-ST19)**

