

QUANTUM SERIES

Electric Sit-Stand Desk With Accessories



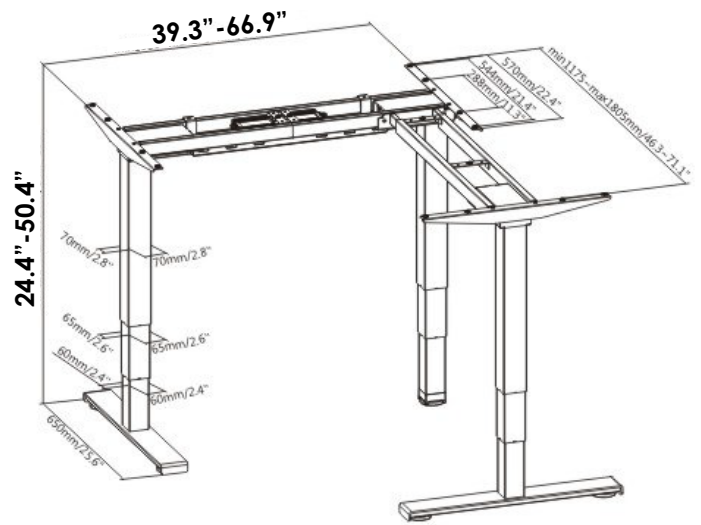
888-993-3757



www.skutchi.com



Electric Sit-Stand L-Shape Desk- Triple Motor



Specifications

Product Category:	Electric Sit-Stand Desk
Rank:	Premium
Material:	Plastic, Steel
Dimensions:	39.4"~66.9"x46.3"~96"x24.4"~50.4"
Frame Orientation:	L-Shape(90°)
Tabletop Thickness:	≥0.98"
Suggest Tabletop Size:	(47.2"~78.7") 3.5" (47.2"~78.7")
Weight Capacity:	330lbs
Width Range:	39.4"~66.9"、46.3"~96"
Height Range:	24.4"~50.4"
Column Design:	Reversed Column
Column Segments:	Three Stage Column
Column Size:	2.4" x 2.4", 2.5" x 2.5", 2.8" x 2.8"

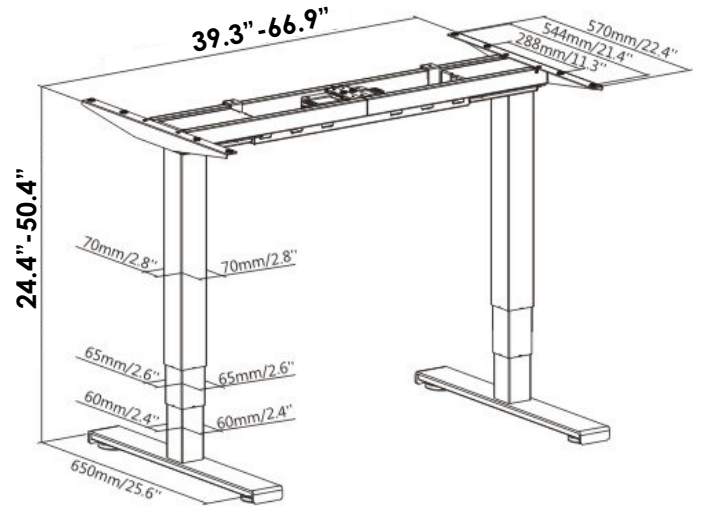
Leg Quantity:	3
Frame Color:	Grey
Adjustable Feet Pad:	Yes
Motor Quantity:	3
Power Input:	110V/230V
Power Cord Length:	9.8ft
Max. Speed:	38mm/s
Controller Type:	Button Control Panel
Time Reminder:	Yes
Suggested Operating Temperature:	23°F-104°F
IP Grade:	IP20
Accessory Kit Package:	Normal/Ziplock Polybag

View Product Video Here:
<https://youtu.be/dkgVuzi2yTw>



View Installation Video Here:
<https://youtu.be/GeUYWMLjQo>

Dual Motor Electric Sit-Stand Desk With Square Column (Reversed)



Specifications

Product Category:	Electric Sit-Stand Desk
Rank:	Premium
Material:	Plastic, Steel
Dimensions:	39.4"~66.9"x25.6"x24.4"~50.4"
Frame Orientation:	Rectangular
Tabletop Thickness:	≥0.98"
Suggest Tabletop Size:	(43.3"~86.6") x (27.6"~39.4")
Weight Capacity:	275lbs
Width Range:	39.4"~66.9"
Height Range:	24.4"~50.4"
Column Design:	Reversed Column
Column Segments:	Three Stage Column
Column Size:	2.4" x 2.4", 2.5" x 2.5", 2.8" x 2.8"
Leg Quantity:	Two Legs
Frame Color:	Grey
Adjustable Feet Pad:	Yes
Motor Quantity:	2
Power Input:	100~240V
Power Cord Length:	3m (9.8ft)
Max. Speed:	38mm/s
Controller Type:	Button Control Panel
Time Reminder:	Yes
Suggested Operating Temperature:	-5°C~40°C
IP Grade:	IP20
Certification:	CE
Accessory Kit Package:	Normal/Ziplock Polybag



Smooth Glide System

Improved design for tighter tolerance, quiet operation and eye-pleasing aesthetics

Features



Programmable Height Range

Customizes a minimum and maximum height setting that limits the operating range to accommodate objects around you, such as under desk cabinets.

Easy-Assembly

Advanced frame design reduces set-up time while providing long-term stability.

Proprietary Gyro-Current Collision Avoidance System

Improved sensing technology for better detection of soft and hard objects in the movement path.

Memory Controller

CM/INCH Conversion



3 Memory Height Settings

Timer Reminder for a Sit to Stand Habit



Additional Features

- Motor(s) is(are) Thermal and Overload Protected: for safety and longevity
- 3 Programmable Memory: presets save your desired height
- Programmable height range: customizes the minimum and maximum height settings to accommodate objects around you, such as under desk cabinets or storage units
- Easy-Assembly: advanced frame design reduces set-up time while providing long-term stability for confident daily use
- Digital LED Memory Controller: for customizable settings
- Sit/Stand Time Reminder: for regular movement
- Programmable Proprietary Gyro-Current Collision Avoidance System: improved sensing technology for better detection of soft and hard objects in the movement path
- Three Stage Standard Column: offers more adjustability

View Product Video Here:
<https://youtu.be/dkgVuzi2yTw>



View Installation Video Here:
<https://youtu.be/QeUYWMljQo>



Slat Wall Bundle Options:

Option A:

Wall Mount Accessory Rail Bundle
 SKU: **WALL-MOUNT-AR**
 1x- Wall Mount
 1x- Slat Wall
 1x- Paper Tray
 1x- Pencil Cup
 1x- Single Monitor Arm

Option B:

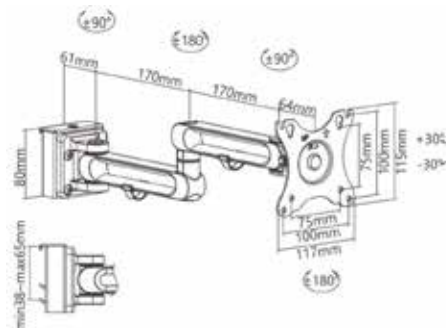
Desk Mount Accessory Rail Single Sided
 SKU: **DESK-MOUNT-AR-SINGLE**
 1x- Desk Mount
 1x- Slat Wall
 1x- Paper Tray
 1x- Pencil Cup
 1x- Single Monitor Arm

Option C:

Desk Mount Accessory Rail
 Double Sided
 SKU: **DESK-MOUNT-AR-DOUBLE**
 1x- Desk Mount
 1x- Slat Wall
 2x- Paper Tray
 2x- Pencil Cup
 2x- Single Monitor Arm

*Details of items are below

Single Screen Aluminum Monitor Arm For Slat Wall



Features

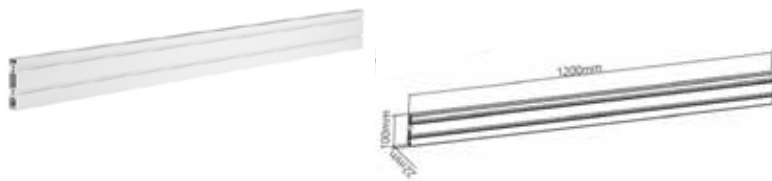
- Easy to adjust, no tools required
- Free-Tilting Design: for multiple monitor viewing angles
- Keyhole Pattern: allows for easy installation
- Space-Saving Design: free up and gain additional desktop work space
- Cable Clip: routes cables to reduce clutter for a clean look and more organized place

Specifications

VESA Compatible:	75x75, 100x100	Product Category:	Monitor Hanger
Tilt Range:	+30°~-30°	Rank:	Premium
Swivel Range:	+90°~-90°	Material:	Steel, Aluminum
Screen Rotation:	+180°~-180°	Surface Finish:	Powder Coating
Arm Full Extension:	13.4"	Color:	Matte White
Installation:	Hanger	Dimensions:	4.6"x18.3"x6"
Quick Release VESA Plate:	No	Fit Screen Size:	17"-32"
Cable Management:	Yes	Screen Quantity:	1
Accessory Kit Package:	Compartment Polybag, Normal/Ziplock Polybag	Weight Capacity (per screen):	17.6lbs



Aluminum Slatwall Panel



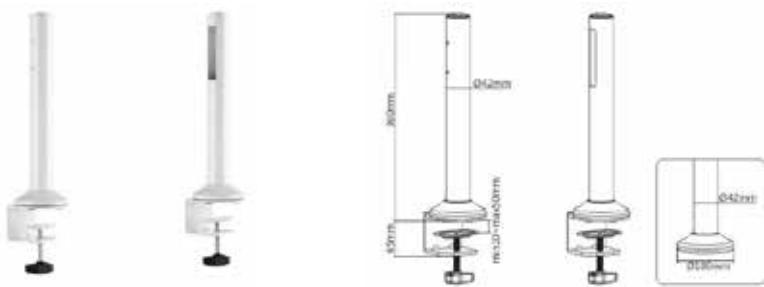
Features

- Two-Sided Slots: provide an economical and efficient approach to satisfy multiuser requirements
- Aluminum Construction: provides a sleek, lighter, and elegant look
- Modular System: changes the configuration or adds to your design at any time

Specifications

Product Category:	Slatwall System	Color:	Matte White
Rank:	Standard	Dimensions:	47.2"x0.87"x3.9"
Material:	Aluminum	Weight Capacity:	88lbs
Surface Finish:	Powder Coating	Accessory Kit Package:	No

Slatwall Desk Mounting Pole

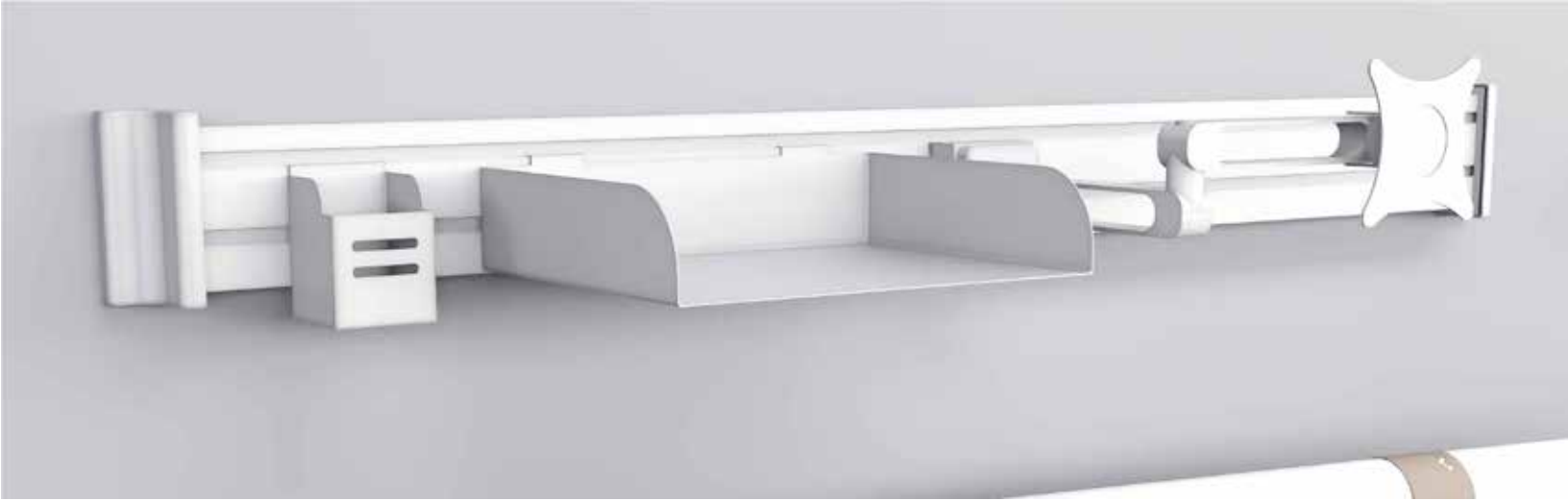


Features

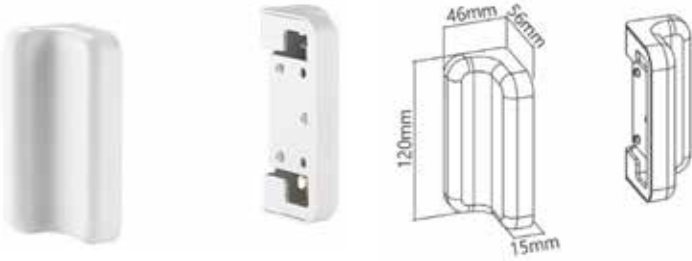
- Two Mounting Options: both desk clamp and grommet are included
- Heavy-Duty Steel Construction: provides extra strength and durability
- Modular System: changes the configuration or adds to your design at any time

Specifications

Product Category:	Slatwall System	Color:	Matte White
Rank:	Standard	Dimensions:	3.9"x4.1"x16.7"
Material:	Steel	Weight Capacity:	110lbs
Surface Finish:	Powder Coating	Accessory Kit Package:	Normal/Ziplock Polybag



Slatwall Wall Mounting Plate



Features

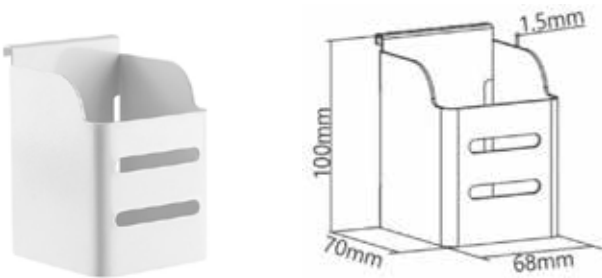
- Modular System: changes the configuration or adds to your design at any time
- Wall Mounting: optimizes desktop space while creating additional storage areas on wall

Specifications

Product Category:	Slatwall System
Rank:	Standard
Material:	Steel,Plastic
Surface Finish:	Powder Coating

Color:	Matte White
Dimensions:	1.8"x2.2"x4.7"
Weight Capacity:	110lbs
Accessory Kit Package:	Normal/Ziplock Polybag, Compartment Polybag

Pencil Cup



Features

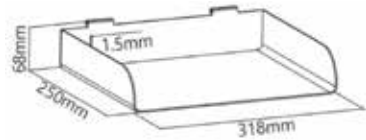
- Make additional storage for less desktop clutter
- Heavy-Duty Steel Construction: provides extra strength and durability
- Modular System: changes the configuration or adds to your design at any time

Specifications

Product Category:	Slatwall System
Rank:	Standard
Material:	Steel
Surface Finish:	Powder Coating

Color:	Matte White
Dimensions:	2.7"x2.8"x3.9"
Weight Capacity:	2.2lbs
Accessory Kit Package:	No

Paper Tray



Features

- Make additional storage for less desktop clutter.
- Heavy-Duty Steel Construction: provides extra strength and durability.
- Modular System: changes the configuration or adds to your design at any time.

Specifications

Product Category:	Slatwall System
Rank:	Standard
Material:	Steel
Surface Finish:	Powder Coating

Color:	Matte White
Dimensions:	12.5"x9.8"x2.7"
Weight Capacity:	6.6lbs
Accessory Kit Package:	No

Add-on

Clamp-on Power Strip Holder



Features

- Heavy-Duty Clamp Base: suits most desks with adjustable height
- Silicone Pad: prevents the device from scratching and accidental dropping (securely hold the device in place)
- Cable Management: elegantly hides any cables that are attached to displays

Specifications

Product Category:	Power Strip Holder
Rank:	Standard
Material:	ABS,Steel,Silica Gel
Surface Finish:	Powder Coating
Dimensions:	3.9"x2.4"x6.1"
Weight Capacity:	0.66lbs
Suggested Power Strip Width:	1.6"~2.4"

Clamp Range:	0.39"~2"
Installation:	Clamp
Cable Management:	Yes
Color:	White
Patent:	2017206247219
Accessory Kit Package:	No



Laminate options for the workspaces.



Applewood
(XD-07)



Black Oak
(XD-1025)



Driftwood
(XD-21)



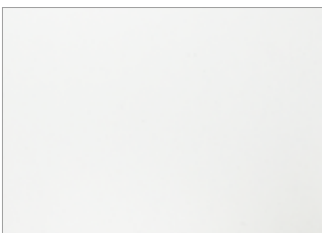
Sea Salt
(XD-1026)



Maple
(XD-08)



Light Gray
(XD-01)



White
(XD-09)



Walnut
(XD-14)



Mocha Walnut
(XD-13)