



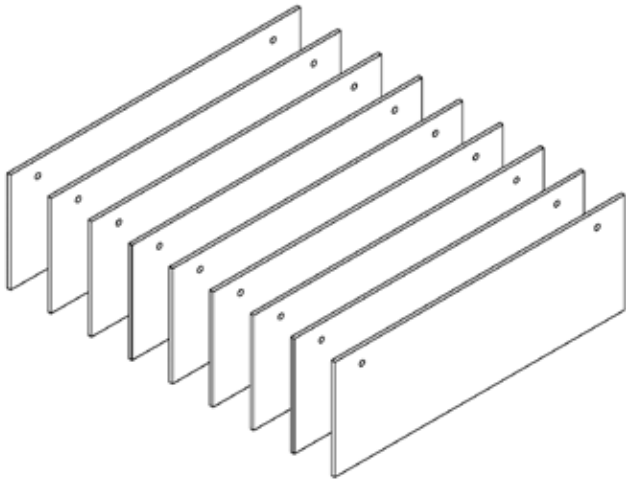
A C O U S T I C A L  
S O L U T I O N S

# BAFFLE INSTALLATION GUIDE

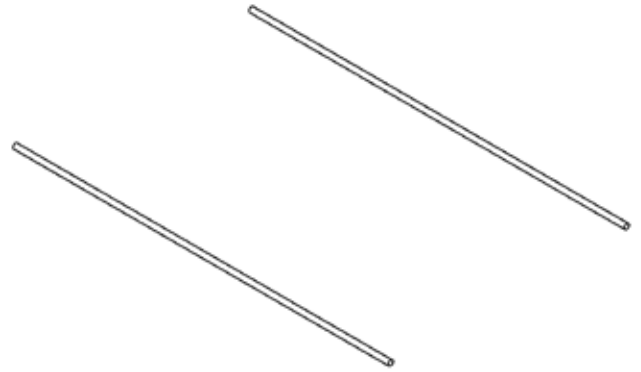


\*Ceiling Mount Not Provided

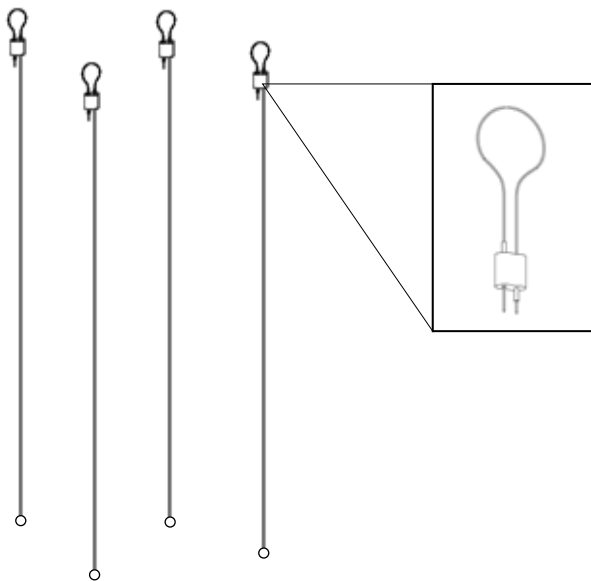
## Installation Parts



Baffles



Poles



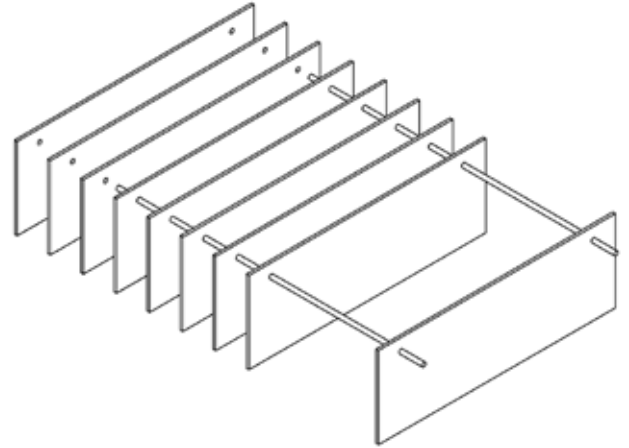
Cables with Looping Grippers

## Baffle Installation Guide



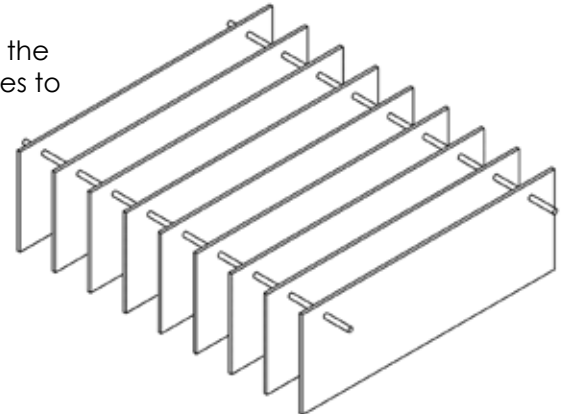
### Step 1:

Slide the baffle panels onto the poles leaving a 6 in space between each one.



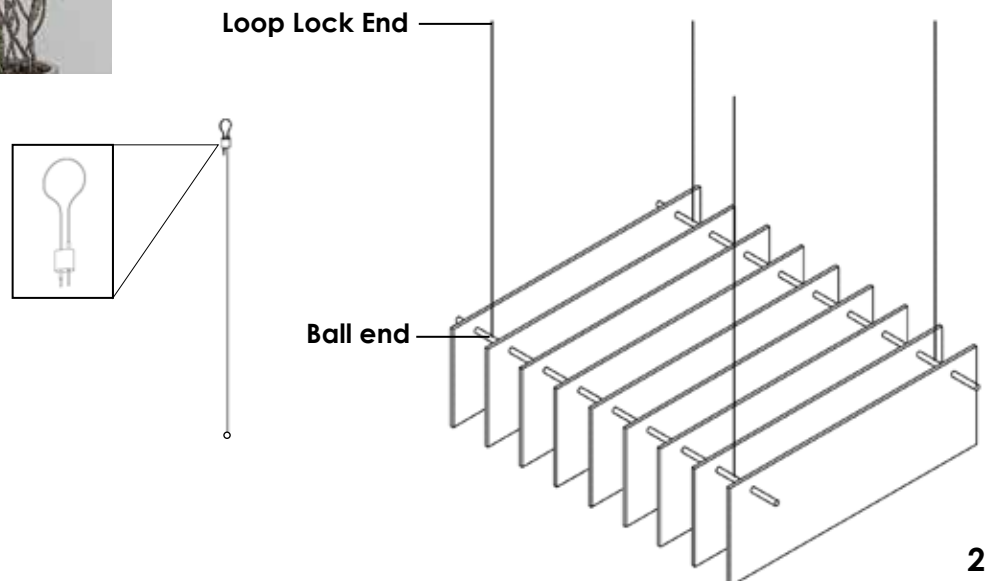
### Step 2:

Once all baffles are placed correctly on the poles locate the holes to attach the cables



### Step 3:

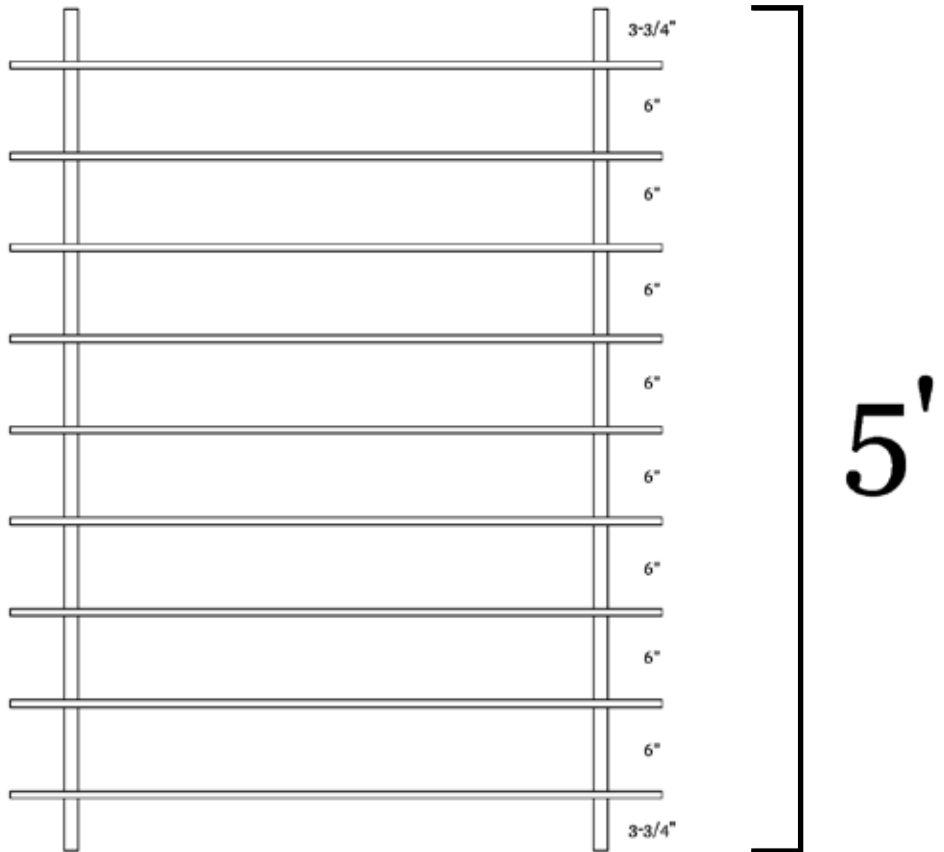
Insert cables with ball end on the bottom of the poles. Adjust height using the loop lock located on the top of the cables.



## Measurements

Overall length of assembled baffles: 5'

\*Leave 6" gap between each baffle panel.



Overall Dimensions of assembled baffles: 5' x 3' 10 1/2" x 1' 4"

