

HARMONY

CONFERENCE SERIES



Electrical Module Installation Guide



888-993-3757

HARMONY

CONFERENCE SERIES

Electrical Module Install

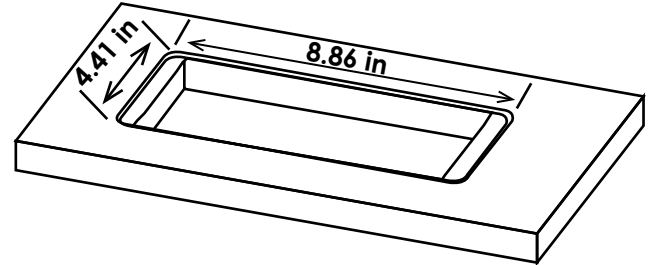
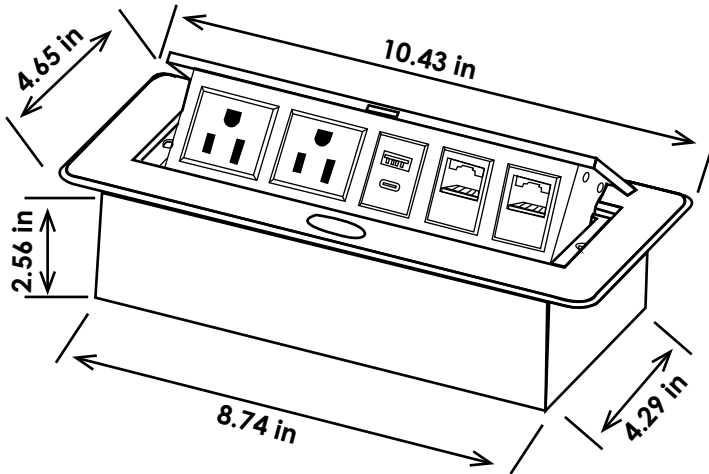
Product Size: 10.43" x 4.65" x 2.68"

Bottom Box Size: 8.74" x 4.29" x 2.56"

1

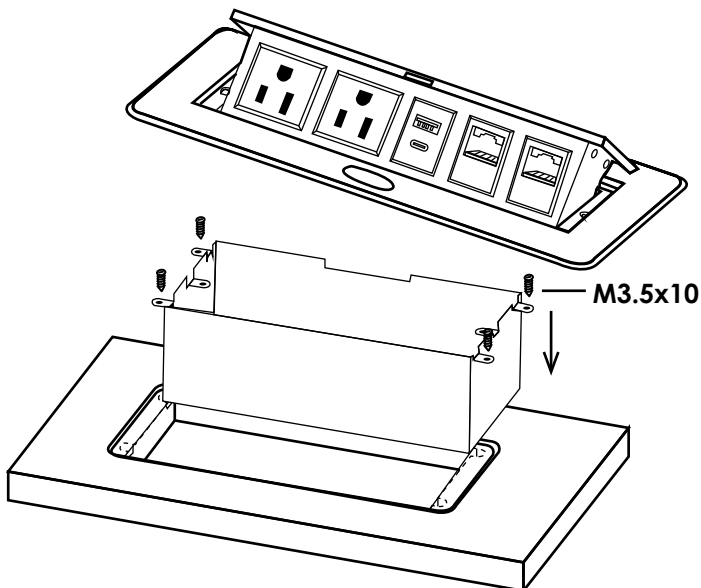
Make a hole in the table

Hole Size: 8.86" x 4.41"



2

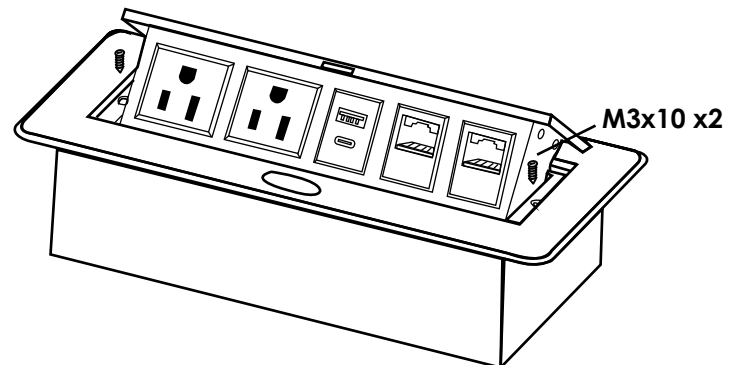
Install the bottom box into the appointed place and secure firmly with screws



3

Secure electrical by locking the two screws on both sides tightly.

● *Do not allow beating and water seepage, should not be installed in the outdoor and ground use.



888-993-3757