



HARMONY

CONFERENCE SERIES

Installation Guide



888-993-3757

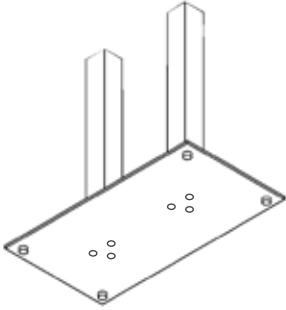
***General Instructions:**
Actual product may vary slightly

Assembling the table bases.

View image **1A.** to identify parts.

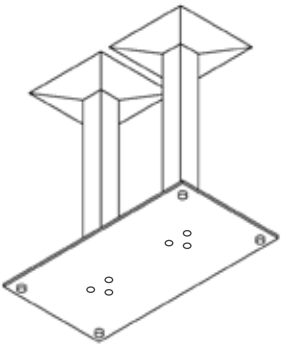
Step 1:

Connect the post(s) to the base plate using long 1 5/8" screws.

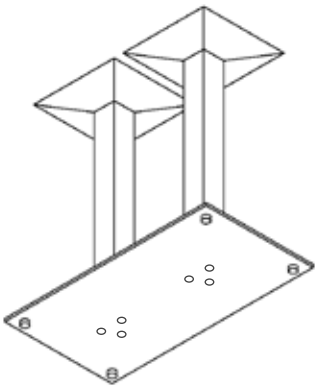


Step 2:

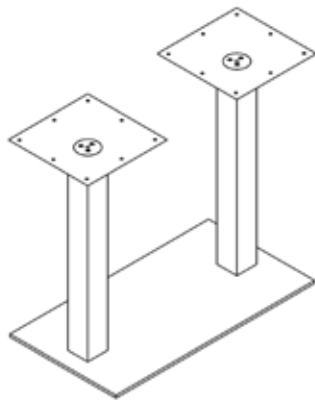
Connect the mounting plate to the assembled post using the 1" screws



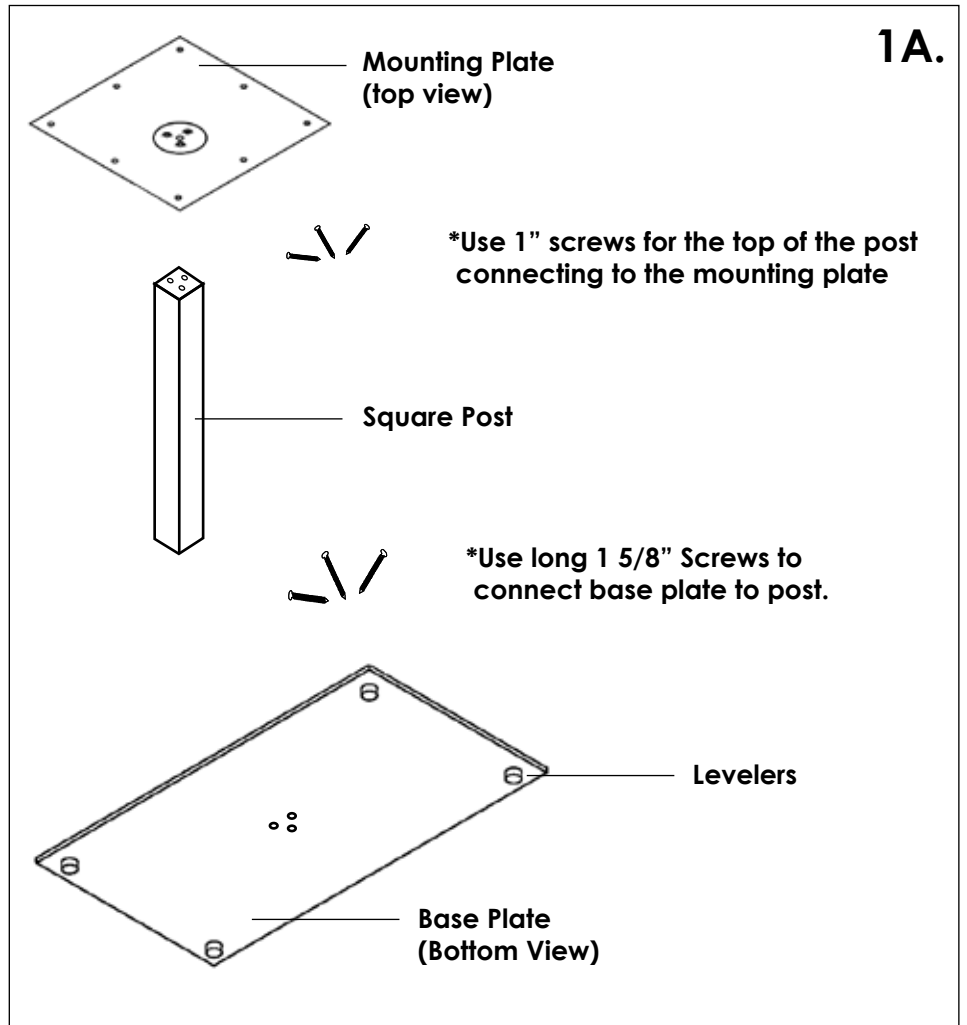
Assembled Base



Bottom View

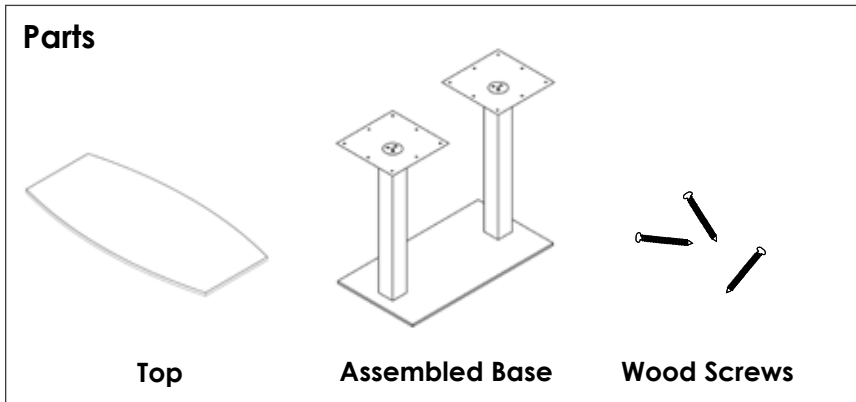


Top View



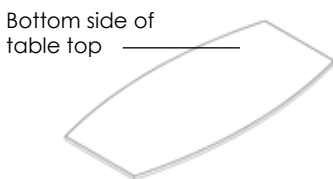
***General Instructions:**
Actual product may vary slightly

Installing a Double Base



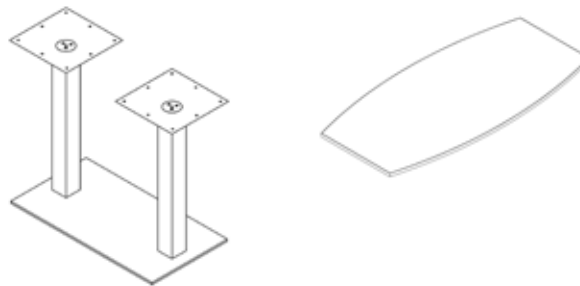
Step 1:

Turn over top to be able to screw in the base.



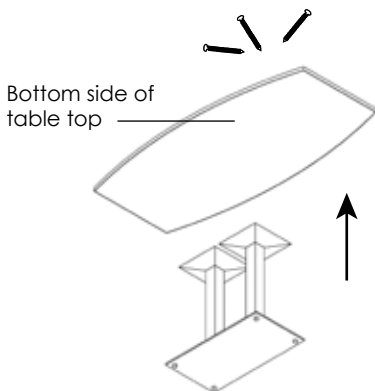
Step 2:

Next place the side of the base with the holes on to the top and make sure it is centered.



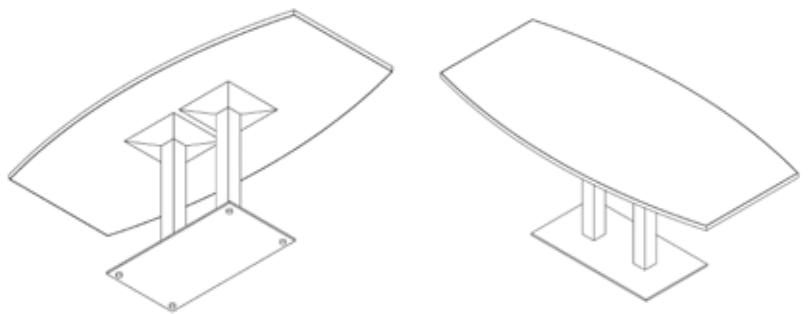
Step 3:

Screw the base to the worksurface using screws that are provided.



Step 4:

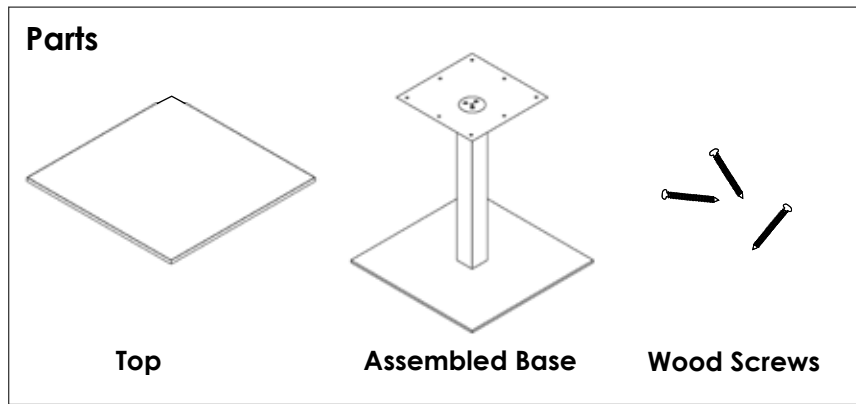
Stand table right side up.



***General Instructions:**
Actual product may vary slightly

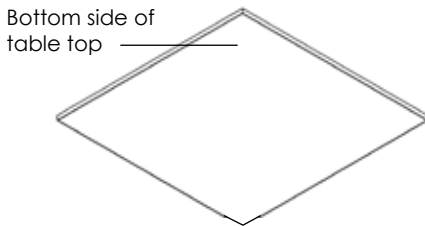


Installing a Square Base



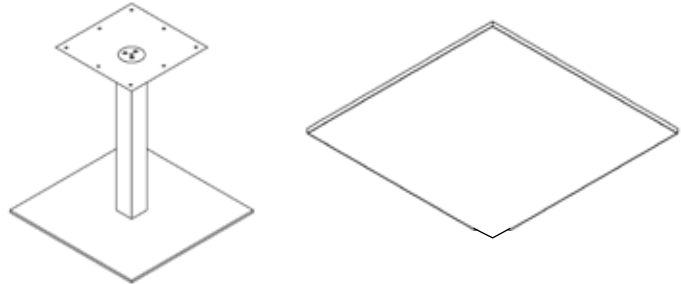
Step 1:

Turn over top to be able to screw in the base.



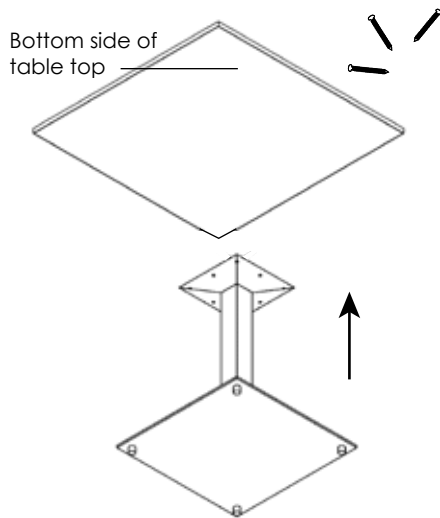
Step 2:

Next place the side of the base with the holes on to the top and make sure it is centered.



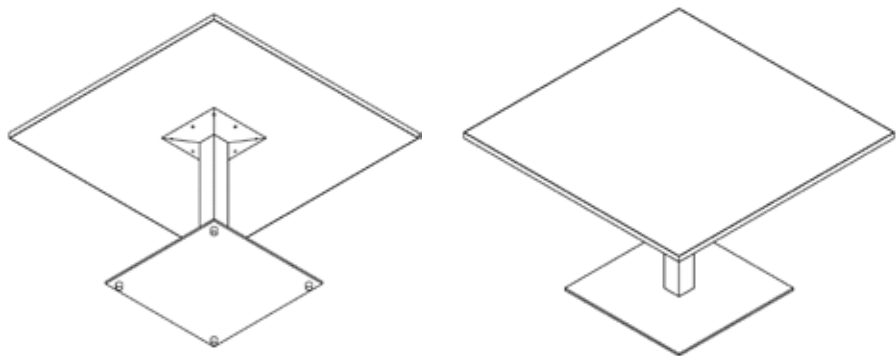
Step 3:

Screw the base to the worksurface using screws that are provided.



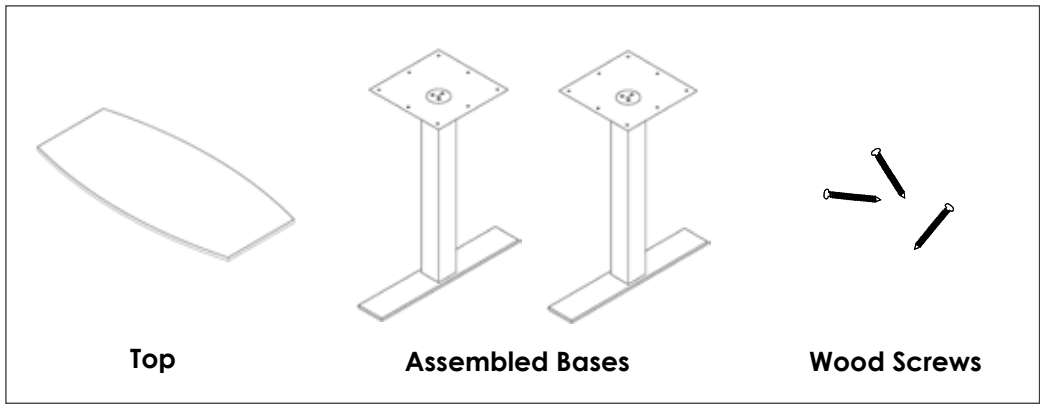
Step 4:

Stand table right side up.



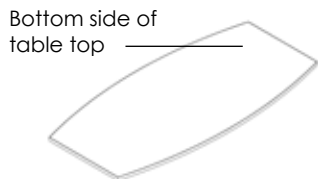
***General Instructions:**
Actual product may vary slightly

Installing a T Base



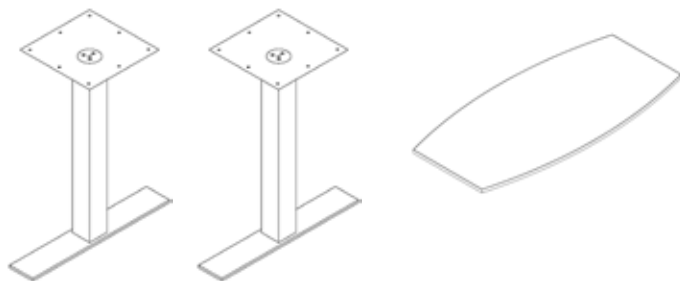
Step 1:

Turn over top to be able to screw in the base.



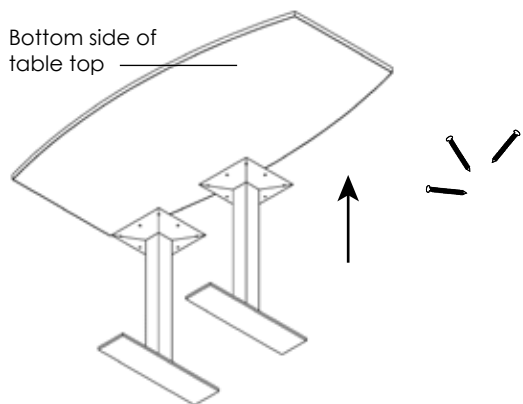
Step 2:

Next, place the side of the bases with the holes on to the top and make sure they are lined up correctly.



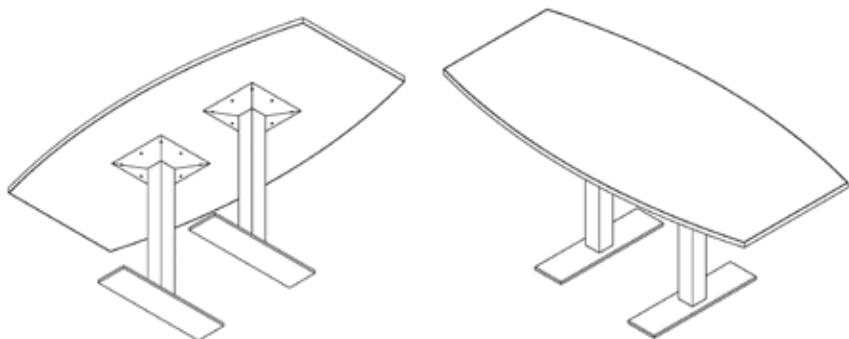
Step 3:

Screw the bases to the work surface using screws that are provided.



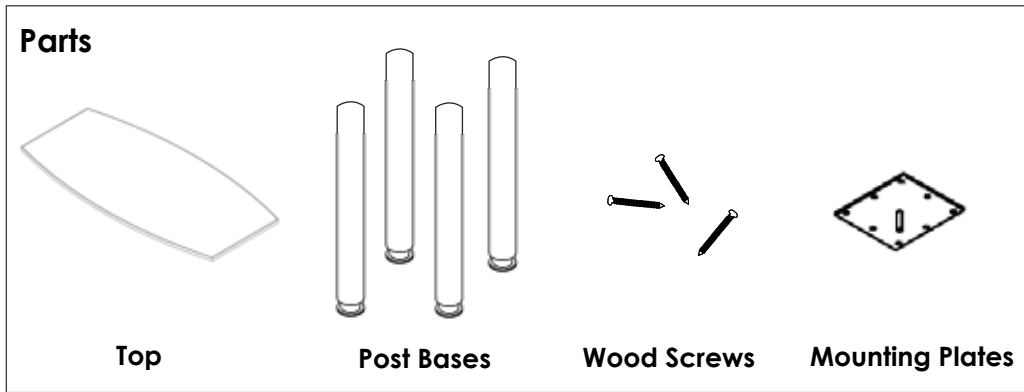
Step 4:

Stand table right side up.



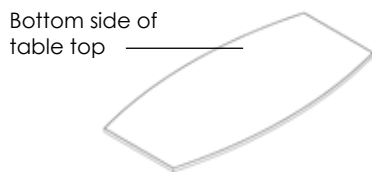
***General Instructions:**
Actual product may vary slightly

Installing a Post Base



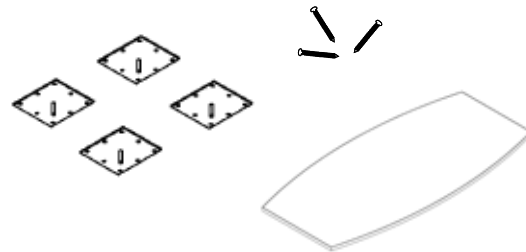
Step 1:

Turn over top to be able to screw in the bases.



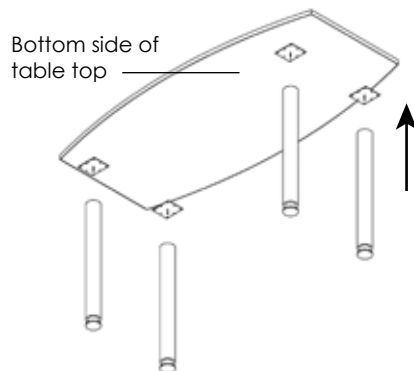
Step 2:

Next attach the mounting plates to the table in correct areas and screw in place.



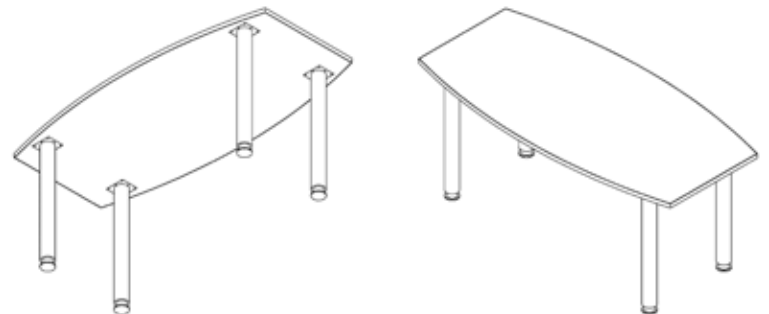
Step 3:

Attach the post bases to the mounting plates by inserting mounting plate screw into hole of post leg and turning to secure tightly.



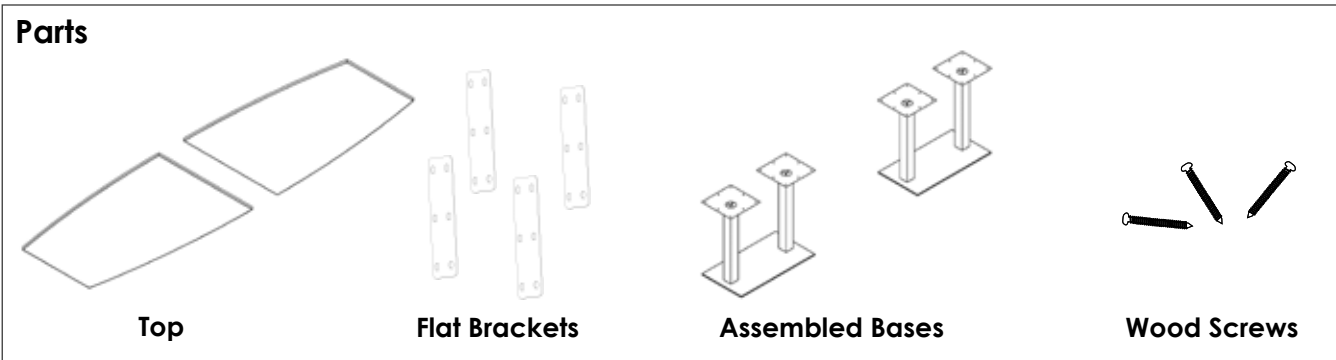
Step 4:

Stand table right side up.



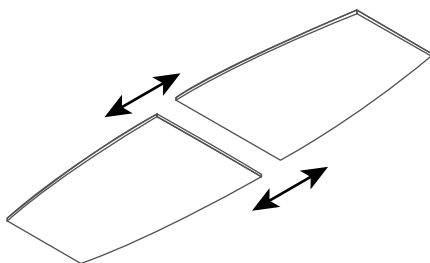
***General Instructions:**
Actual product may vary slightly

Installation for 2 bases with two table tops



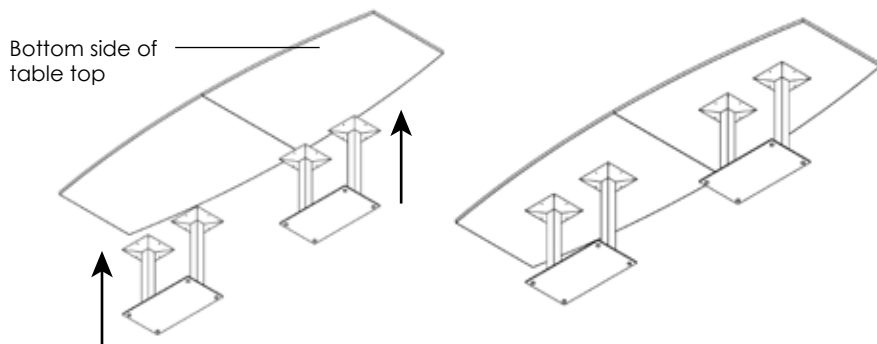
Step 1:

Turn over tops and slide together to be able to screw in the bases.



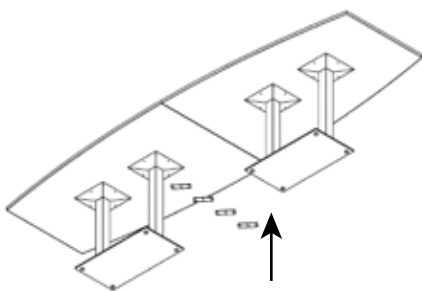
Step 2:

Next place one base on each table top and center it. Attach bases by the side with the holes on to the top. Screw the bases into the top.



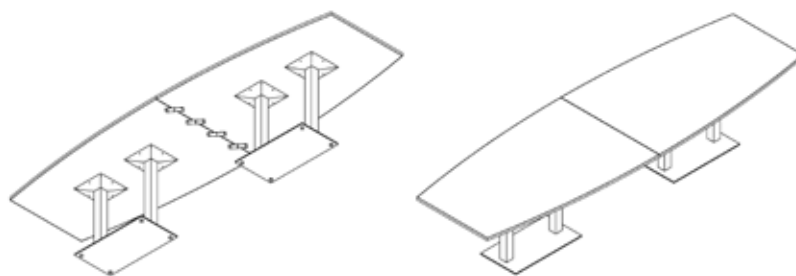
Step 3:

After the two bases are attached, place flat brackets on the connecting line of the tops at an angle (see image below). Then screw into place.



Step 4:

Stand table right side up.



Flat Bracket

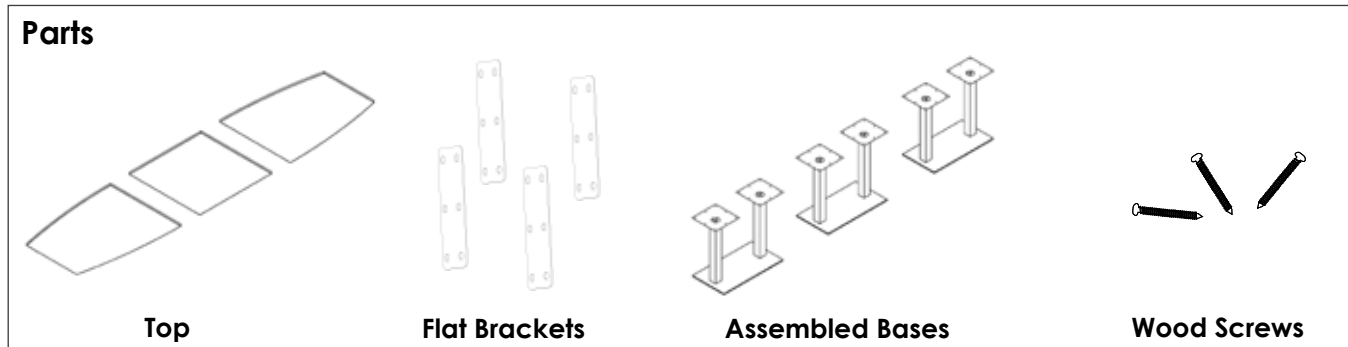
Flat Brackets will be needed on certain size tables for extra support.

***Make sure flat brackets are secure before attaching a third base or standing table upright.**



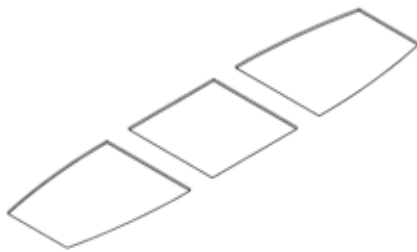
***General Instructions:**
Actual product may vary slightly

Installation for 3 or more bases with 3 table tops



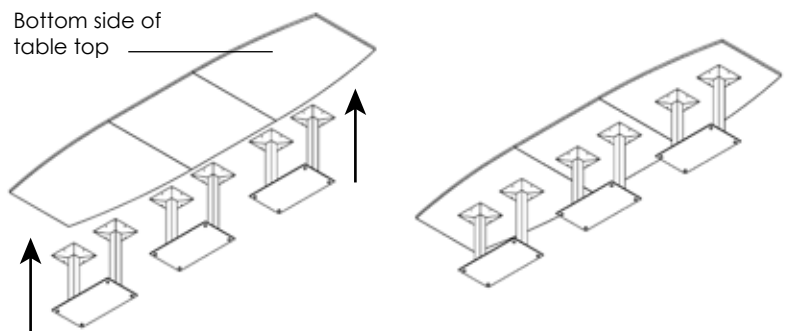
Step 1:

Turn over tops and slide together to be able to screw in the bases.



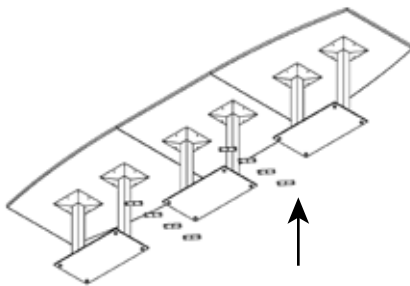
Step 2:

Next place one base on each table top and center it. Attach bases by the side with the holes on to the top. Screw the bases into the top.



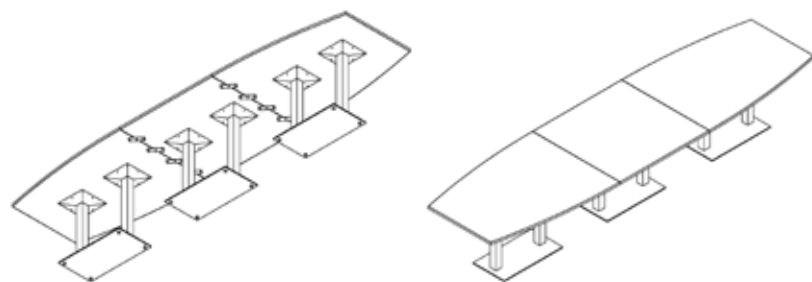
Step 3:

After the three bases are attached, place flat brackets on the connecting lines of the tops at an angle (see image below). Then screw into place.



Step 4:

Stand table right side up.



View Installation Video Here:

<https://www.youtube.com/watch?v=nsuScowoYMg>

