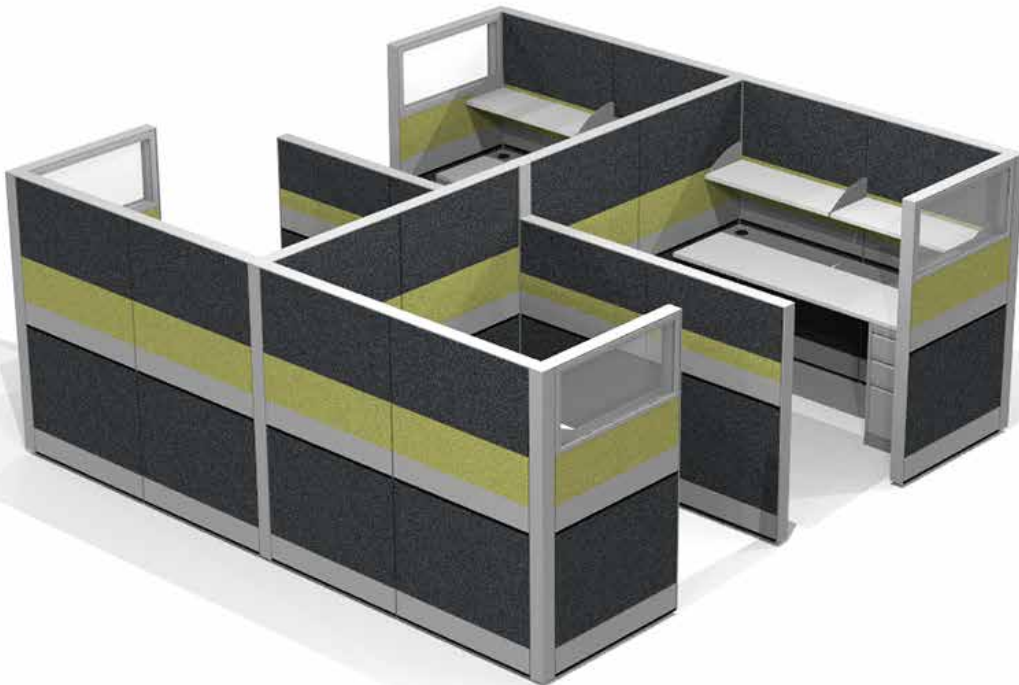




SAPPHIRE  
CUBICLE SYSTEM

Installation Guide



**39"H, 52"H and 65'H**

## Tools Needed for Installation

(Professional Assembly  
Recommended)



**Drill Bits**



**1/4 Driver**



**Clamp**



**Mallet**



**Screw Gun**



**Allen Keys**



**Chop Saw**



**Level**

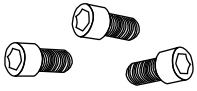


**Pry Bar**

### Quick Tips

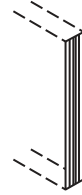
1. Unpack all product before assembly
2. 3 person installation
3. Make sure all panels are level
4. Frame entire office before installing tiles.
5. Professional installation recommended.
6. \*\*If your floor plan does not fit exactly with our sizes we suggest the following: A contractor may be hired to build out wall to meet measurements. This is called a knee wall and very common in the industry when odd measurements are left. This will make a finished look.

## Identifying Parts



1/2" Hex Bolts- for connectors

1" Hex Bolts- for panel to panel connectors



End Trim



Light Blockers  
Small/Large

### Connectors



4 Way  
Connector



3 Way  
Connector



2 Way  
Connector



Straight Panel to  
Panel Connector



120 Degree 2  
Way Connector

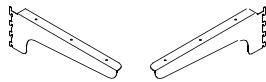


120 Degree 3  
Way Connector

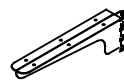
### Support



Corner Worksurface  
Support



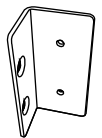
Right/Left Cantilver



Double Cantilver

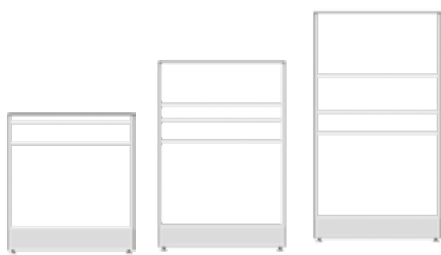


Flat Bracket



Transaction Support/  
Counter Top Bracket  
(Set of 4)

### Panel Frames

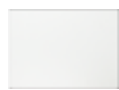


39"H

52"H

65"H

### Tiles



Laminate



Fabric

### Glass Options



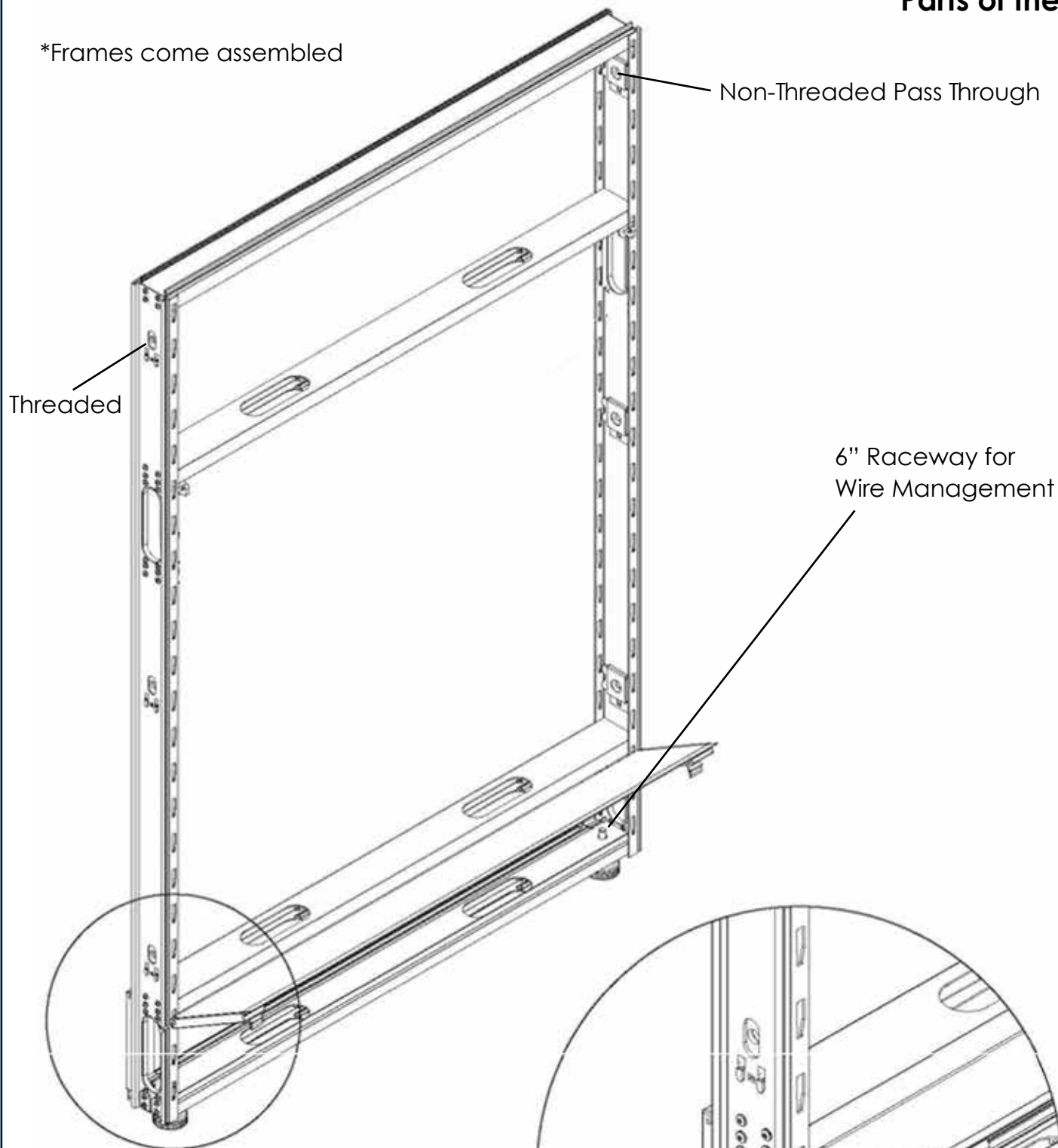
Panel Topper- 10"



Panel Topper- 20"

## Parts of the Frame

\*Frames come assembled



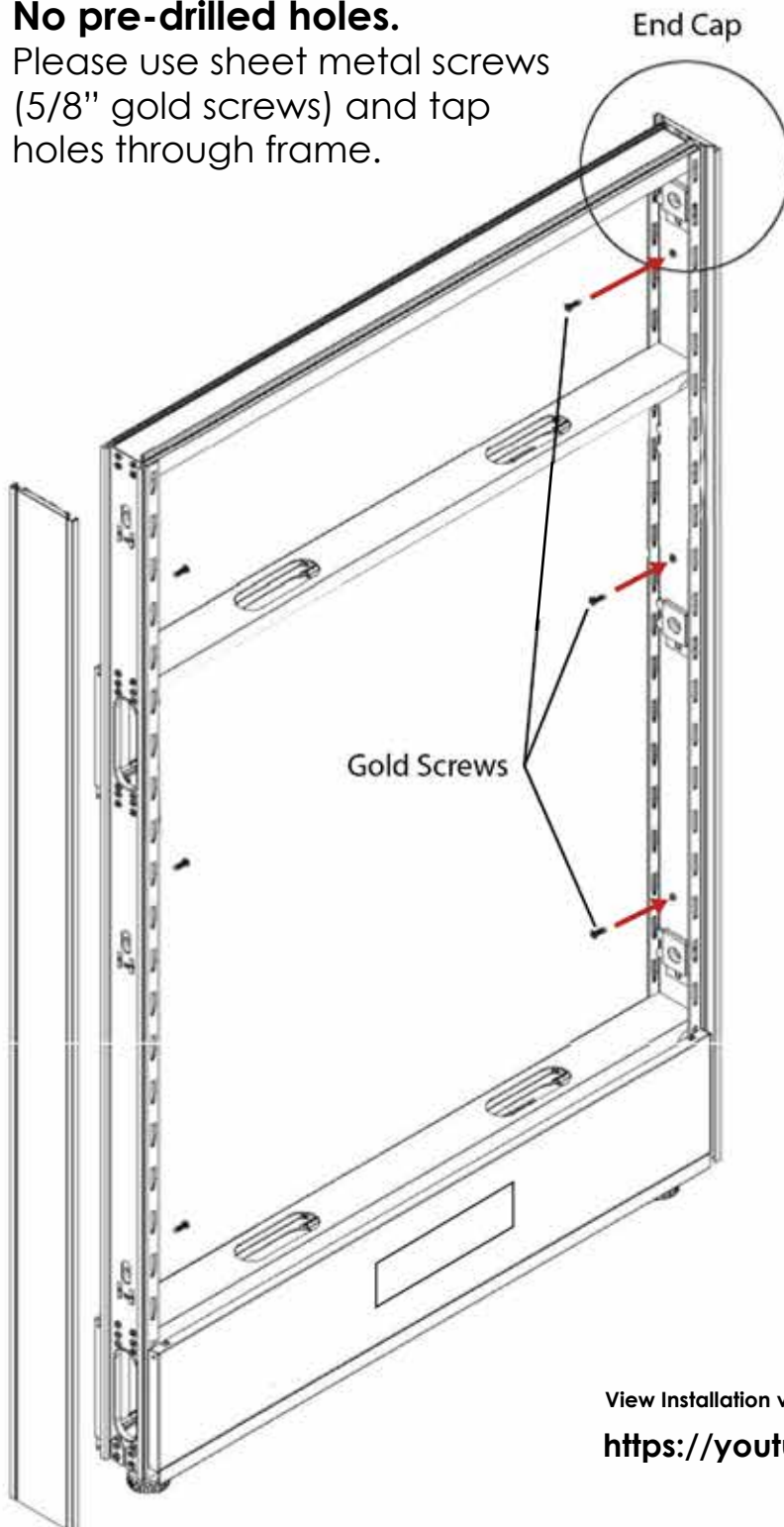
\*If installing panels directly to a wall  
view instructional video here.

<https://youtu.be/FJlyziYUH6w>

## End Cap Install

### No pre-drilled holes.

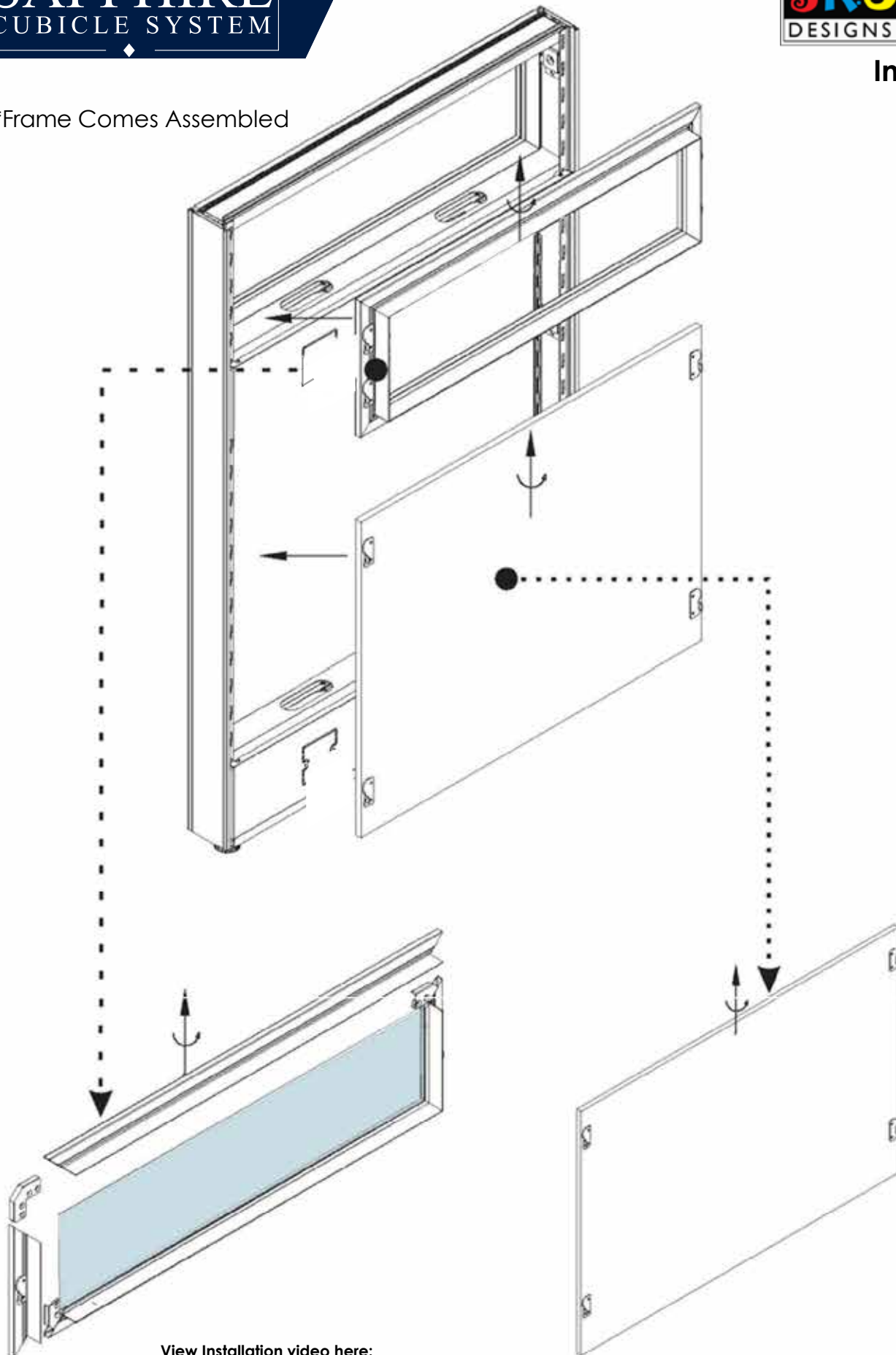
Please use sheet metal screws (5/8" gold screws) and tap holes through frame.



View Installation video here:

<https://youtu.be/DL1QXbVDDws>

\*Frame Comes Assembled

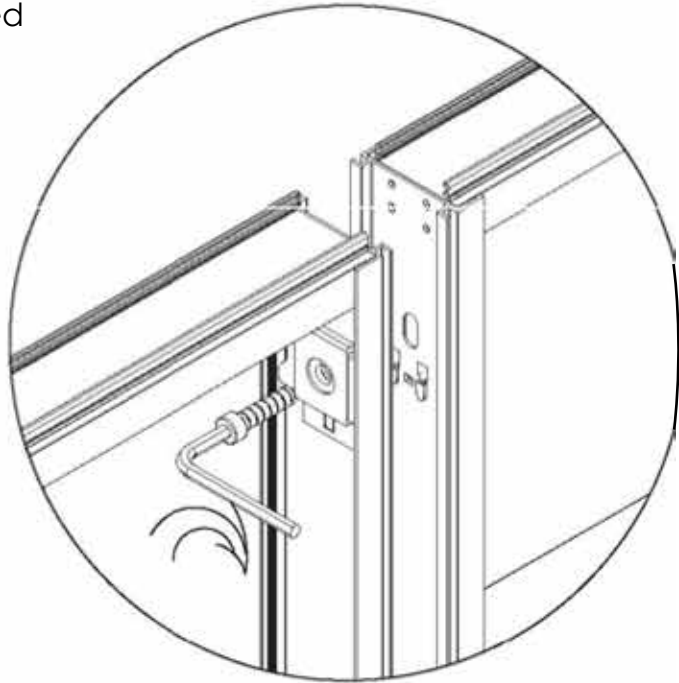
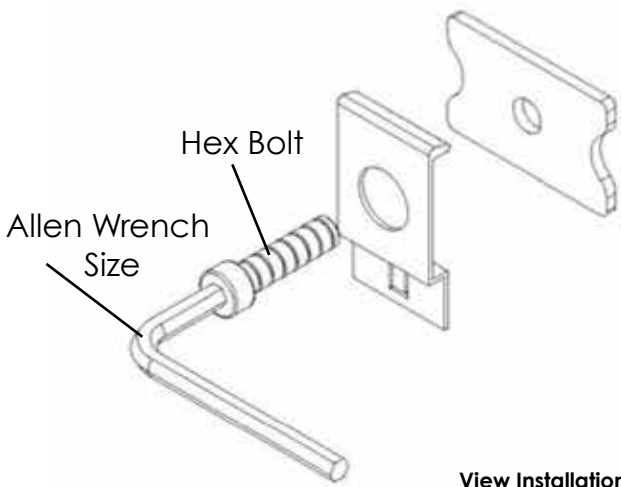
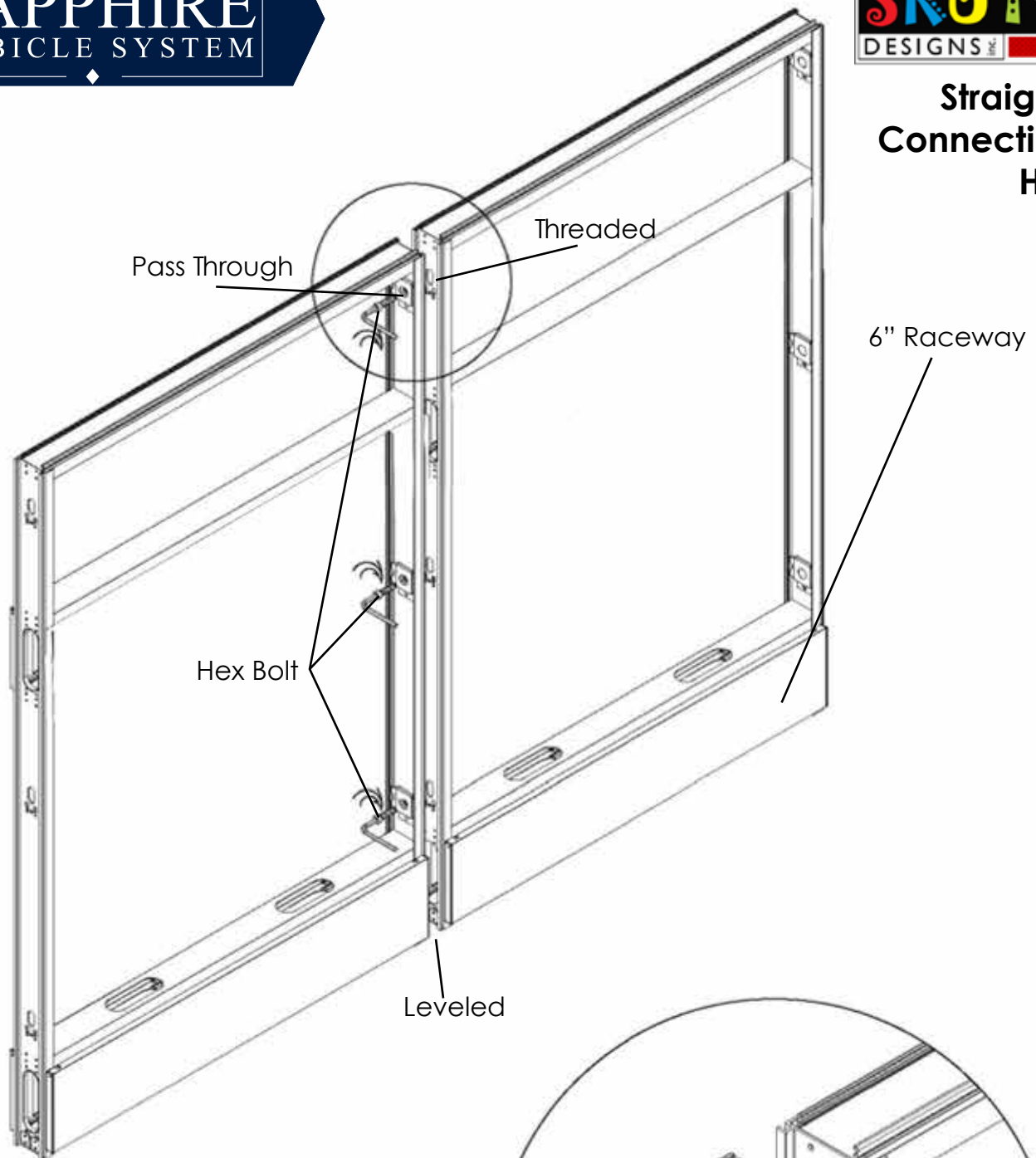


View Installation video here:

<https://youtu.be/npc1C3oYMN8>



**Straight Panel  
Connections with  
Hex Bolts**

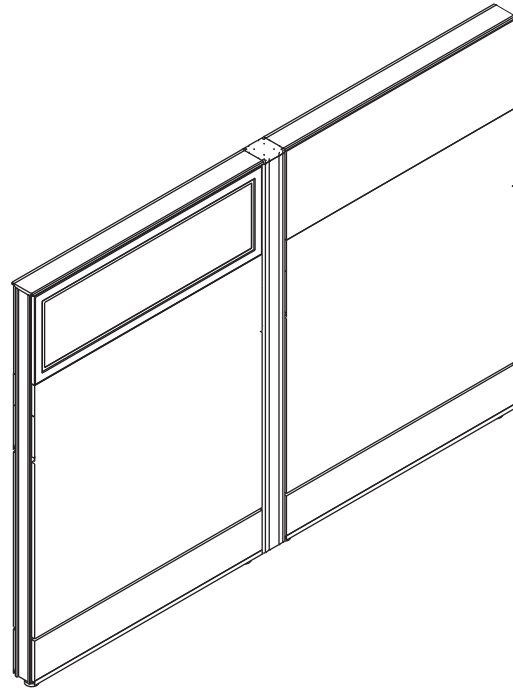
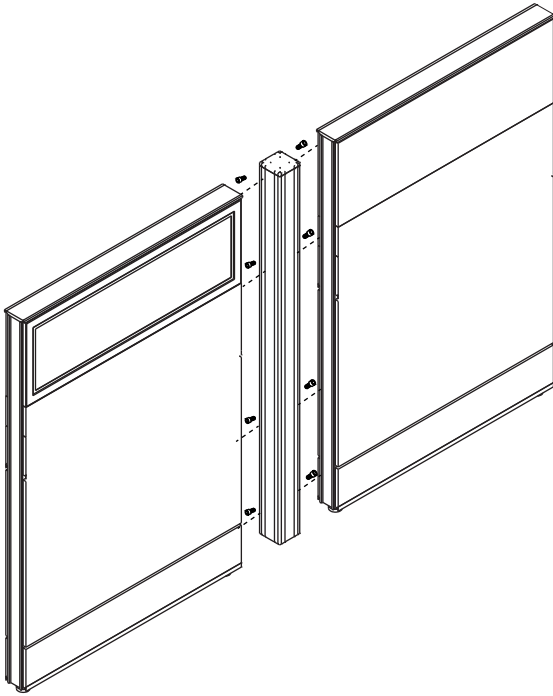


View Installation video here:

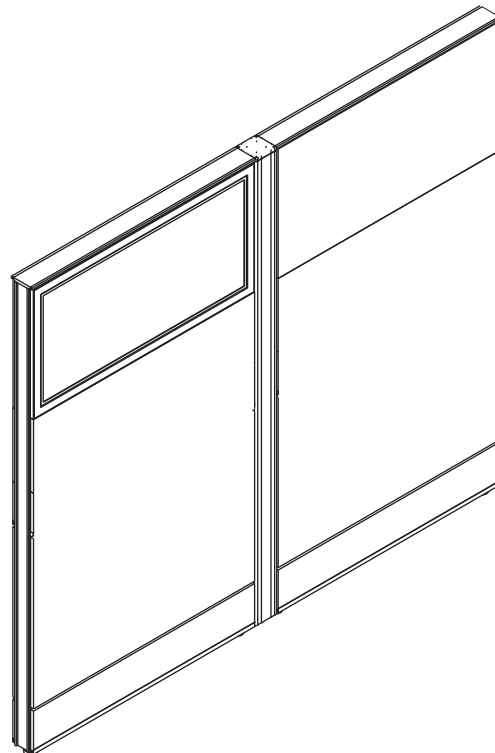
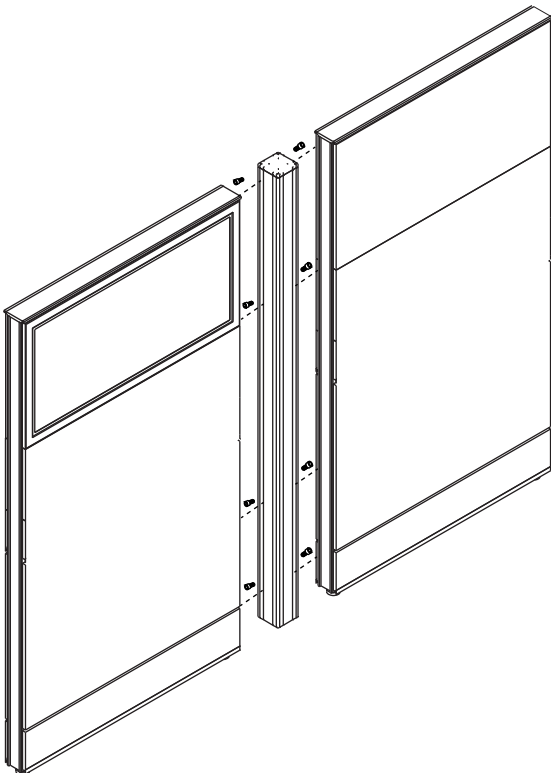
[https://youtu.be/HqJm\\_Jklasl](https://youtu.be/HqJm_Jklasl)

**Straight Connector**

**54" Straight Connector**

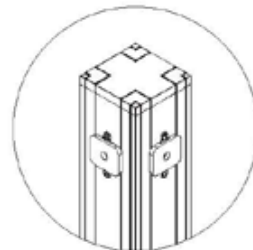
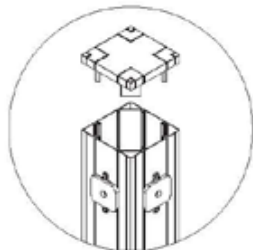
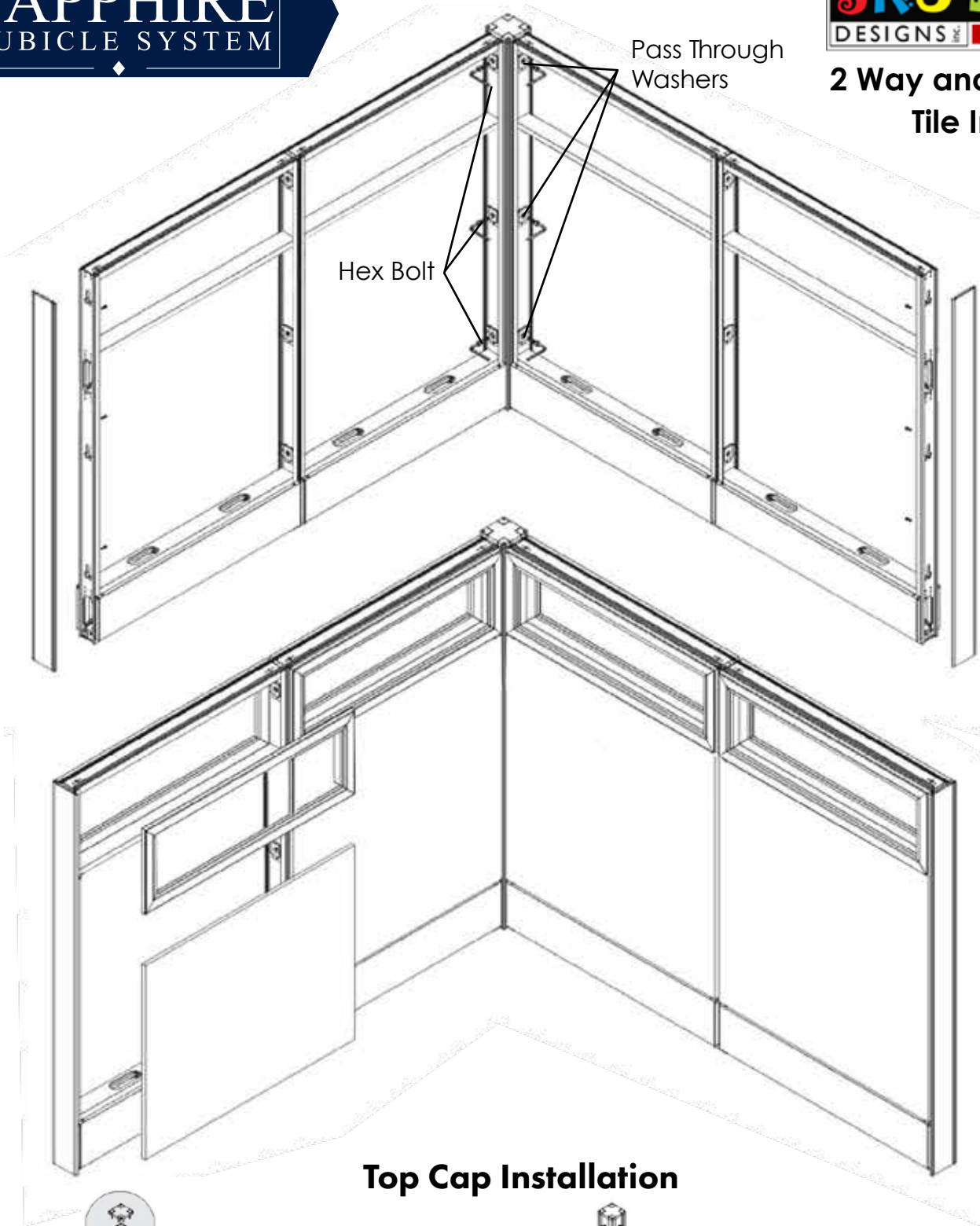


**65" Straight Connector**

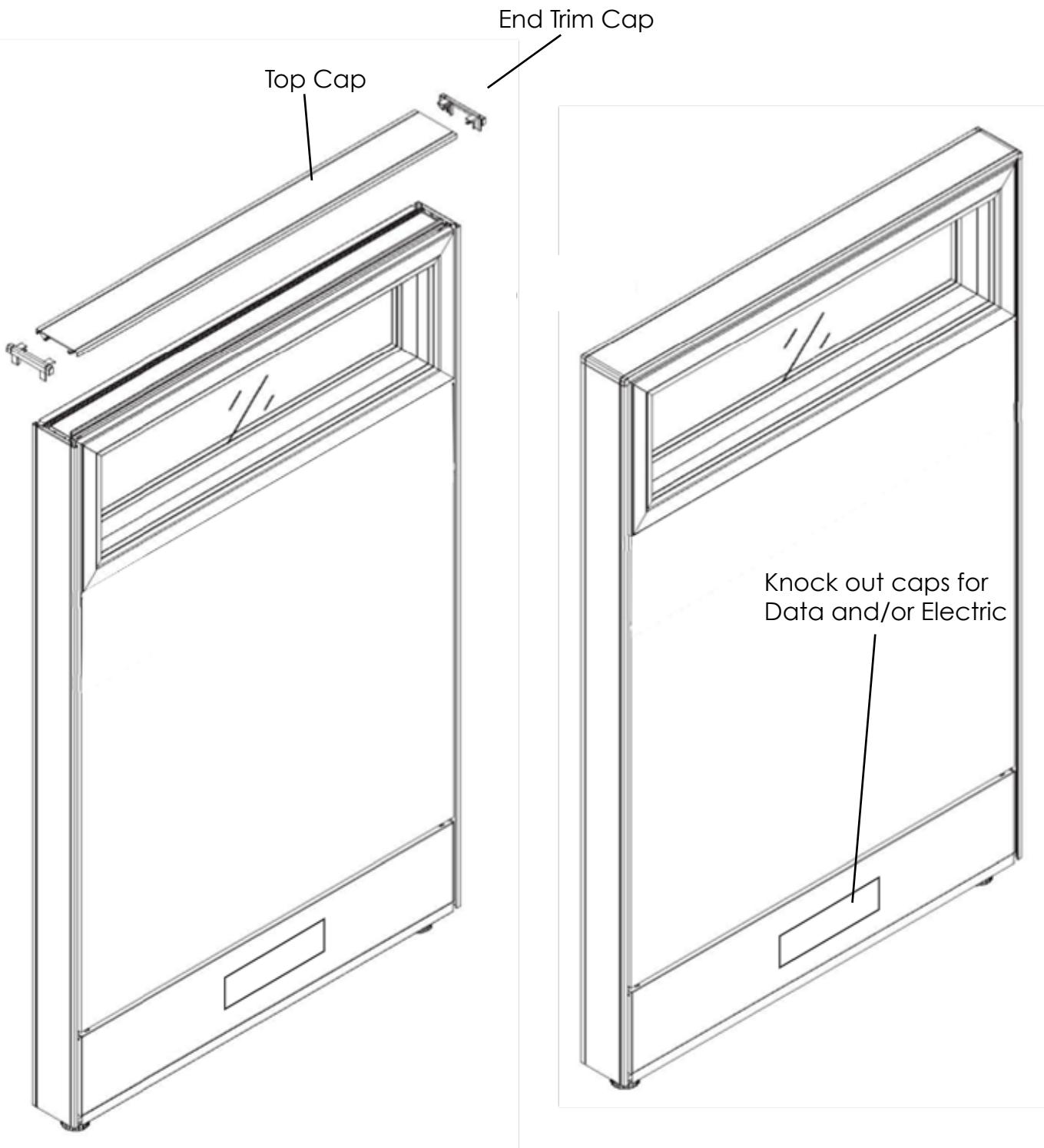




## 2 Way and End Cap Tile Installation



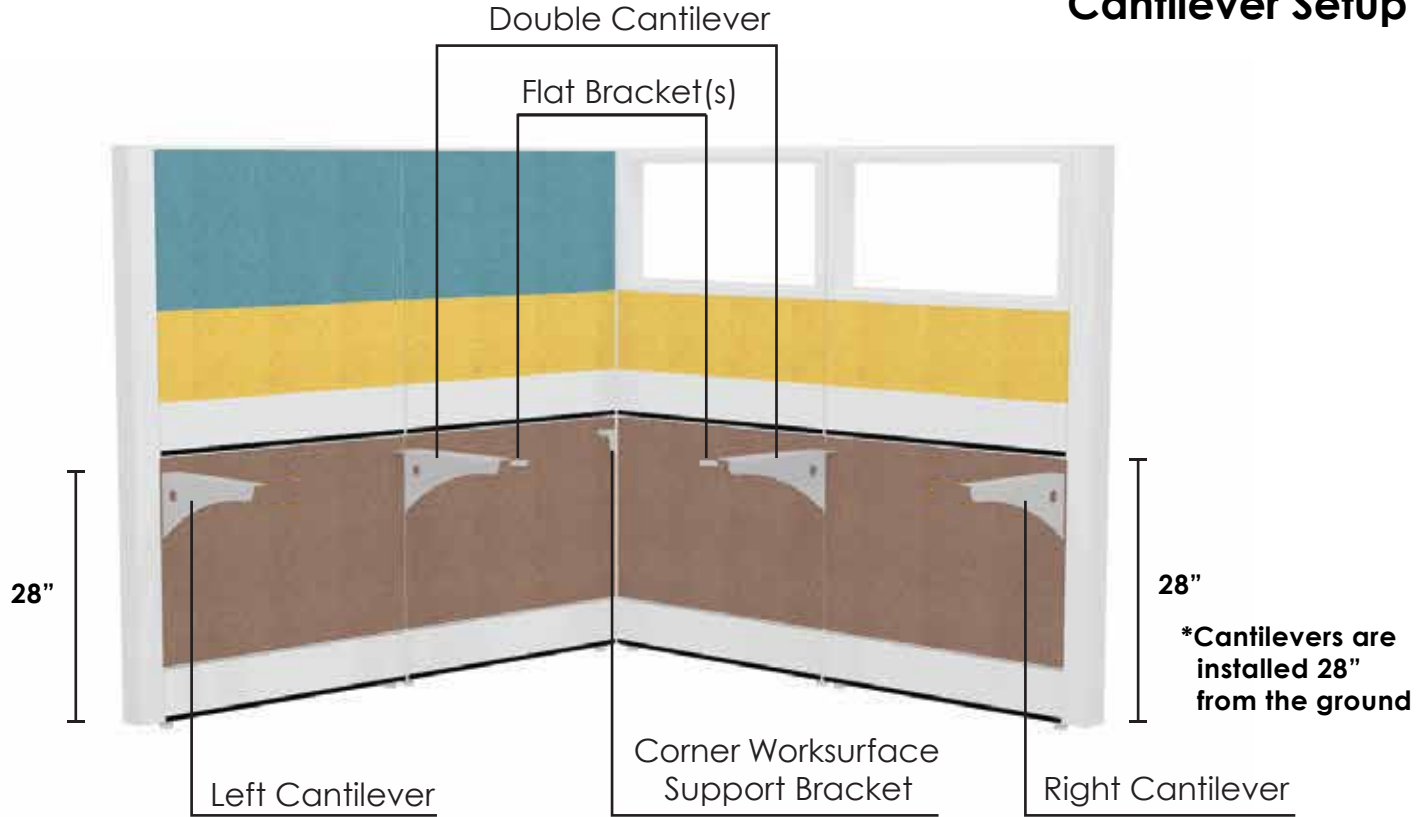
## Top Cap



View Installation video here:

<https://youtu.be/Y46BAsA6IGY>

## Cantilever Setup



View Installation video here:

<https://youtu.be/3IKgamg6QFQ>

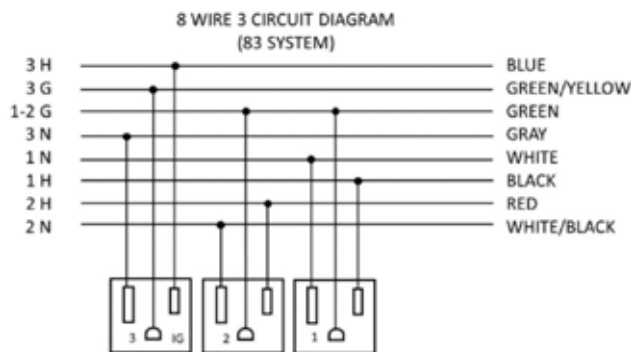
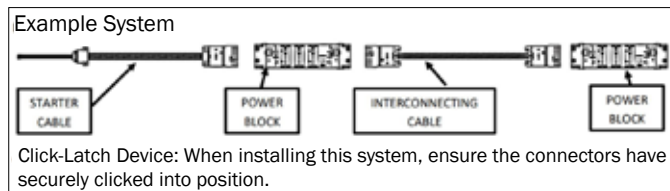
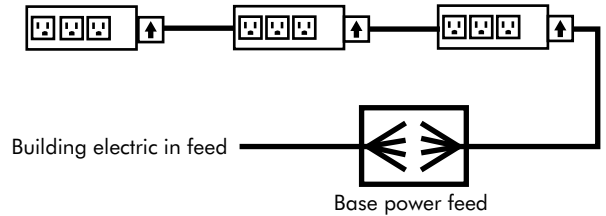
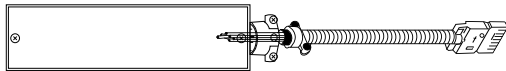
## Reception Transaction Top Assembly

Transaction Top Cantilevers



### FINAL CONNECTION IS DONE BY A LICENSED ELECTRICIAN

**WARNING:** Risk of fire or electric shock. As with all non-directional systems, do not electrically connect panel to more than one supply source. Always determine that the panel is electrically connected to one and only one source of supply. Before using any equipment, check the entire system for polarity, continuity, and grounding integrity.



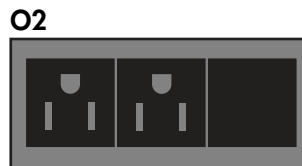
**Power Supply Connection**  
 The Power System is an eight wire system consisting of four individual circuits rated at 20 amps/120 volts maximum. Circuit 1 (black), circuit 2 (red), and circuit 4 (pink), are served by a system neutral (white) and an equipment ground (green). Circuit 3 (blue) uses an isolated neutral (gray), and an isolated ground (green/yellow). The system may be supplied by a three phase power system with four individual circuits rated 20 amps/120 volts maximum, or as permitted by local code.

**When connecting electric pass throughs to power moduls, please make sure ARROW is up**

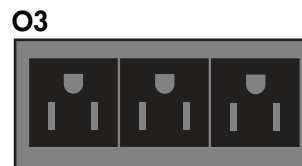
### Outlet Layout Options



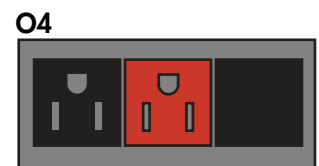
O1  
OUTLET - BLANK - BLANK



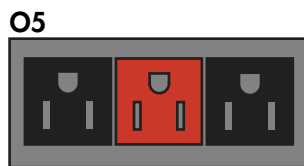
O2  
OUTLET - OUTLET - BLANK



O3  
OUTLET - OUTLET - OUTLET



O4  
OUTLET - DEDICATED\* - BLANK



O5  
OUTLET - DEDICATED\* - OUTLET



O6  
BLANK - DEDICATED\* - BLANK

**\*PLEASE NOTE:** Orange is used to represent the dedicated outlet. The actual color of the outlet is **black**.

**EMERALD** Cubicles come with style #225 Outlets.  
**SAPPHIRE** Cubicles come with style #325 Outlets.

## Data Setup Options

**DM1**



CAT 6 - Blank - Blank - Blank

**DM2**



CAT 6 - CAT 6 - Blank - Blank

**DM3**



CAT 6 - CAT 6 - CAT 6 - Blank

**DM4**



CAT 6 - CAT 6 - CAT 6 - CAT 6

**DM5**



CAT 6 - Phone Jack - Blank - Blank

**DM6**



CAT 6 - CAT 6 - Phone Jack - Blank

**DM7**



CAT 6 - CAT 6 - CAT 6 - Phone Jack

All Modules can be customized to customers specifications. Please call to review options with one of our sales representatives. Color of jacks may vary.