

EMERALD

◆

CUBICLE COLLECTION



Emerald Cubicle Collection Electric Raceway - Open with electric

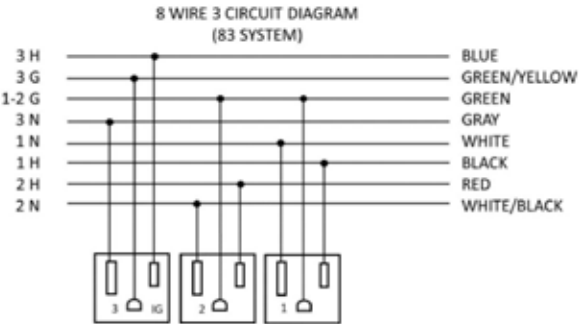
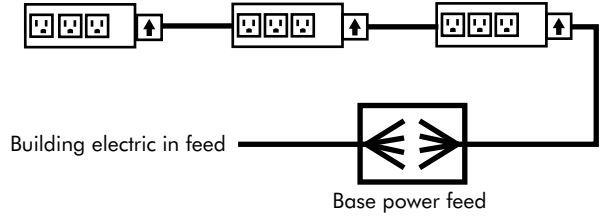
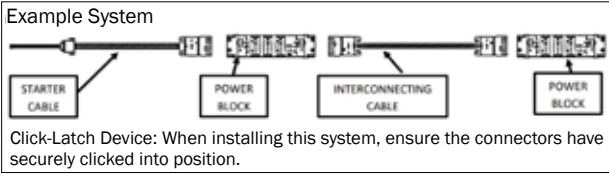
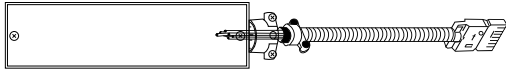


Emerald Cubicle Collection Electric Raceway - Open without electric



! FINAL CONNECTION IS DONE BY A LICENSED ELECTRICIAN

WARNING: Risk of fire or electric shock. As with all non-directional systems, do not electrically connect panel to more than one supply source. Always determine that the panel is electrically connected to one and only one source of supply. Before using any equipment, check the entire system for polarity, continuity, and grounding integrity.



Power Supply Connection

The Power System is an eight wire system consisting of four individual circuits rated at 20 amps/120 volts maximum. Circuit 1 (black), circuit 2 (red), and circuit 4 (pink), are served by a system neutral (white) and an equipment ground (green). Circuit 3 (blue) uses an isolated neutral (gray), and an isolated ground (green/yellow). The system may be supplied by a three phase power system with four individual circuits rated 20 amps/120 volts maximum, or as permitted by local code.

When connecting electric pass throughs to power moduls, please make sure ARROW is up

Outlet Layout Options

<p>O1</p> <p>OUTLET - BLANK - BLANK</p>	<p>O2</p> <p>OUTLET - OUTLET - BLANK</p>	<p>O3</p> <p>OUTLET - OUTLET - OUTLET</p>	<p>O4</p> <p>OUTLET - DEDICATED* - BLANK</p>
<p>O5</p> <p>OUTLET - DEDICATED* - OUTLET</p>	<p>O6</p> <p>BLANK - DEDICATED* - BLANK</p>	<p>*PLEASE NOTE: Orange is used to represent the dedicated outlet. The actual color of the outlet is black.</p> <p>EMERALD Cubicles come with style #225 Outlets. SAPPHIRE Cubicles come with style #325 Outlets.</p>	

<p>DM1</p> <p>CAT 6 - Blank - Blank - Blank</p>	<p>DM2</p> <p>CAT 6 - CAT 6 - Blank - Blank</p>	<p>DM3</p> <p>CAT 6 - CAT 6 - CAT 6 - Blank</p>	<p>DM4</p> <p>CAT 6 - CAT 6 - CAT 6 - CAT 6</p>
<p>DM5</p> <p>CAT 6 - Phone Jack - Blank - Blank</p>	<p>DM6</p> <p>CAT 6 - CAT 6 - Phone Jack - Blank</p>	<p>DM7</p> <p>CAT 6 - CAT 6 - CAT 6 - Phone Jack</p>	

All Modules can be customized to customers specifications. Please call to review options with one of our sales representatives. Color of jacks may vary.