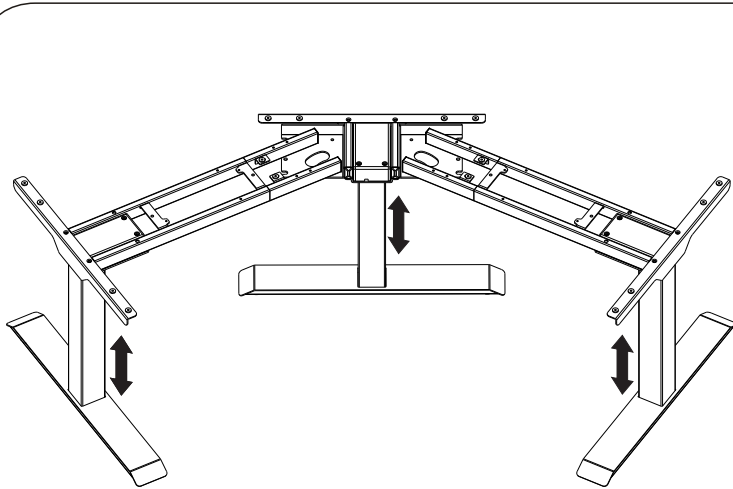




Item No.:UN-SS-L-Q2

Installation guide



Technical data

Column Stage	3
Max. Load Capacity	330lbs/150KG
Height range	22.8"- 48.4"/580-1230mm (without tabletop)

Accessory list

Attention: The drawings below are only for reference which might be slightly different from the actual object, please in kind prevail. Any tools missing or installation problems, please contact the customer service firstly.

No.	Image	Spec	Qty
A		M6	6
B		M6	8
C		M6	16
D		M6	12
E		M8	4
F		St4.2	24
G		St4.2	6
H		Cable Tie	6
I		Allen Key 4x4mm    Allen Key (with cross) 5x5mm	1

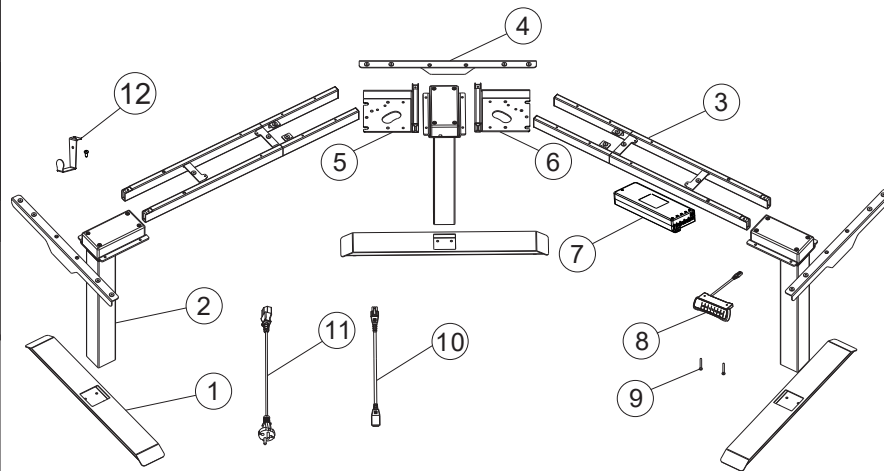
Component list

No.	Part	Qty	No.	Part	Qty
①	Pedestal	3	②	Lifting Column	3
③	Supporting Beam	2	④	Side Bracket	3
⑤	Left Connecting Plate	1	⑥	Right Connecting Plate	1
⑦	Control Box	1	⑧	Handset	1
⑨	Handset Screw	2	⑩	Switch Cord	1
⑪	Power Plug	1	⑫	+	1

Self adhesive bag list



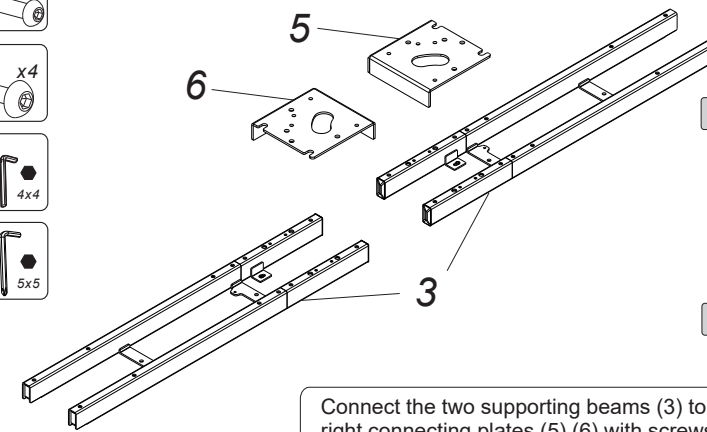
Installation preparation  
The hand drill or Phillips screwdriver prepared by the customers.



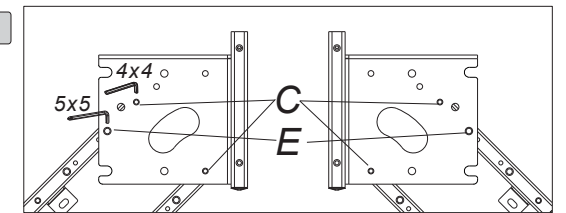
Note: There are three angles of installation for this type of desk, 90°, 120°, 180°

STEP 1

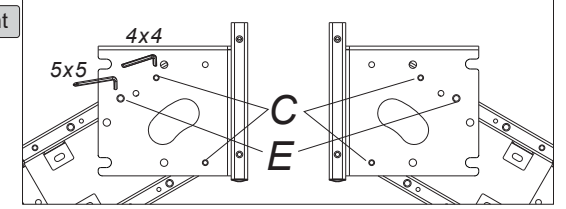
Install left and right connecting plates



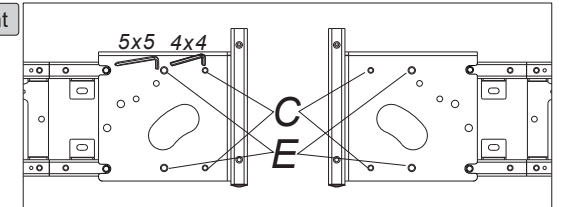
90° Placement



120° Placement



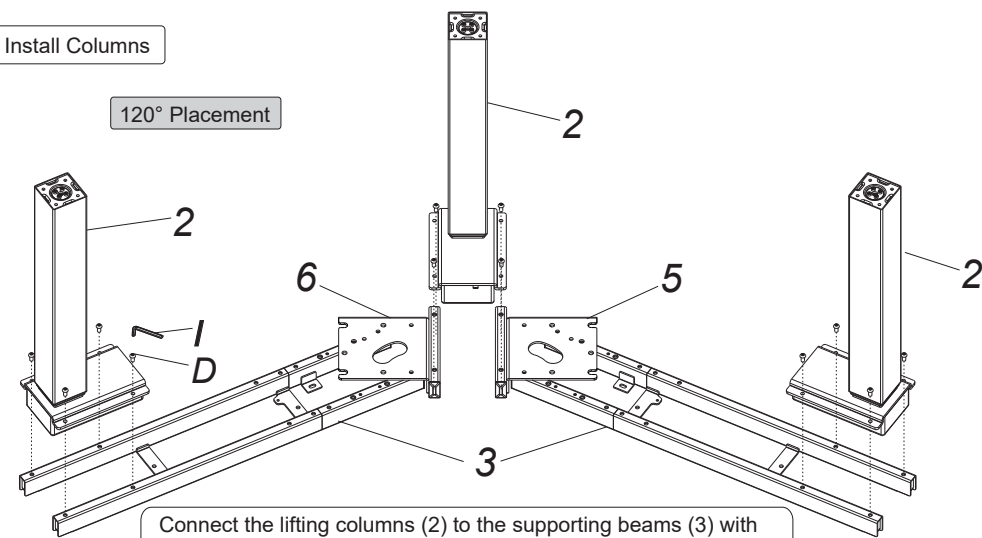
180° Placement



Connect the two supporting beams (3) to the left and right connecting plates (5) (6) with screws (C) and (E) respectively. There are three angles to choose, and finally tighten them with an allen key (I).

STEP 2

Install Columns



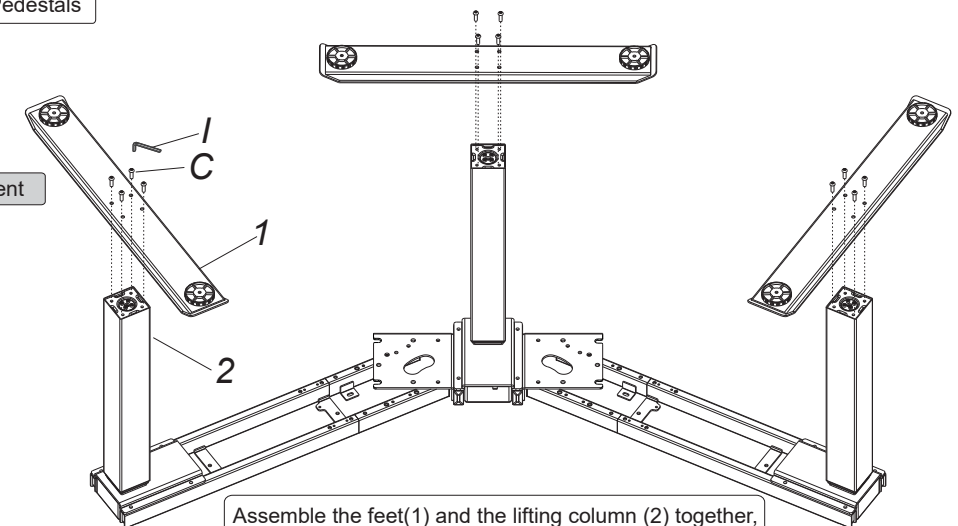
Connect the lifting columns (2) to the supporting beams (3) with screws (D), the middle column (2) to the left and right connecting plates (5) (6), and use an allen key (I) to tighten the screws; the installation methods of 90° and 180° placements are the same as 120°.

STEP 3-1

Install Pedestals



90° & 120° Placement

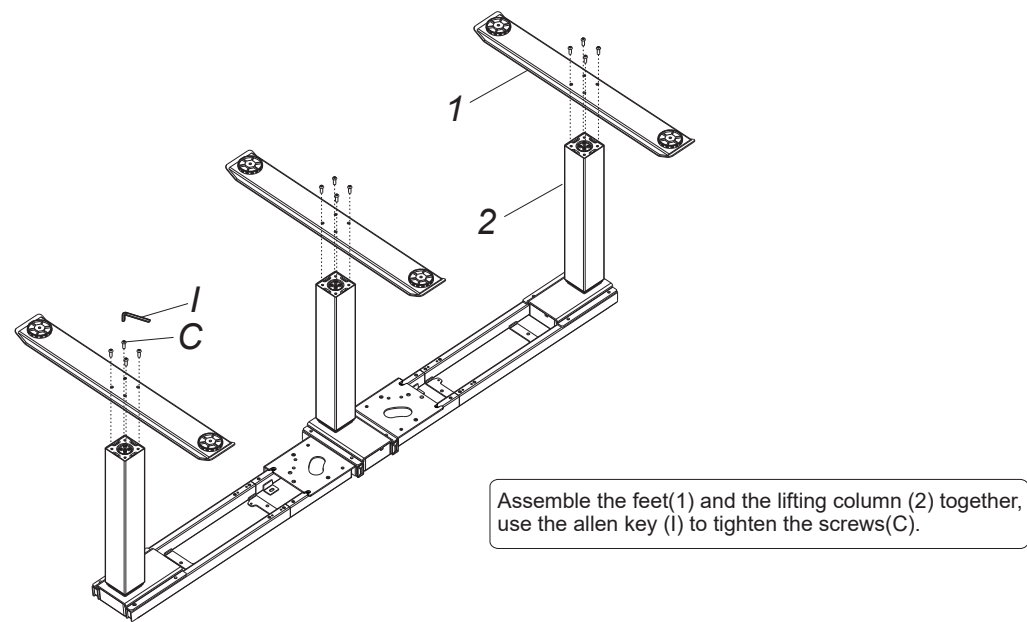


Assemble the feet(1) and the lifting column (2) together, use a allen key (I) to tighten the screws(c).

### STEP 3-2



180° Placement

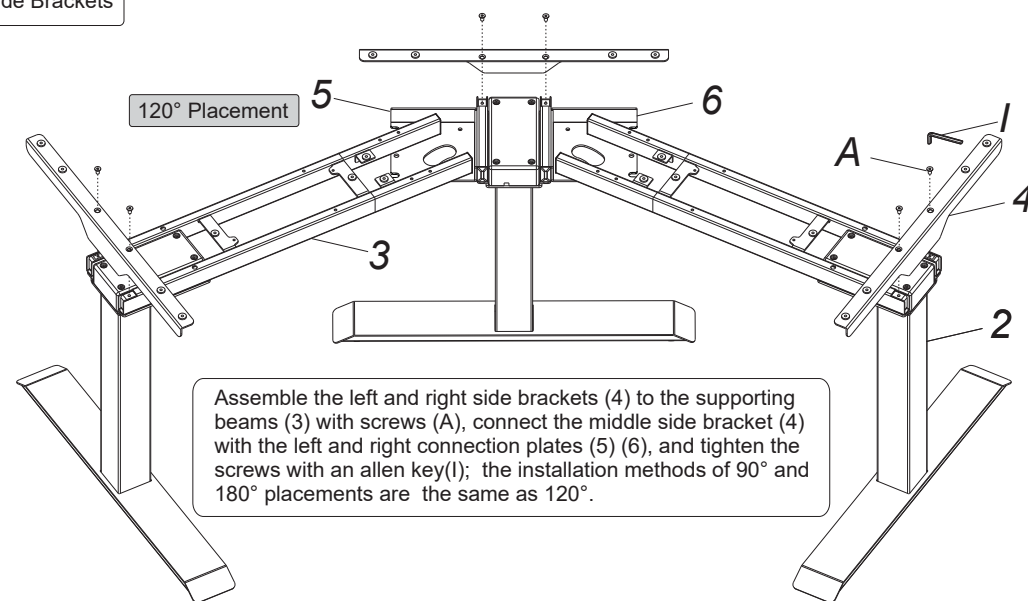


### STEP 4

Install Side Brackets

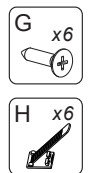


120° Placement



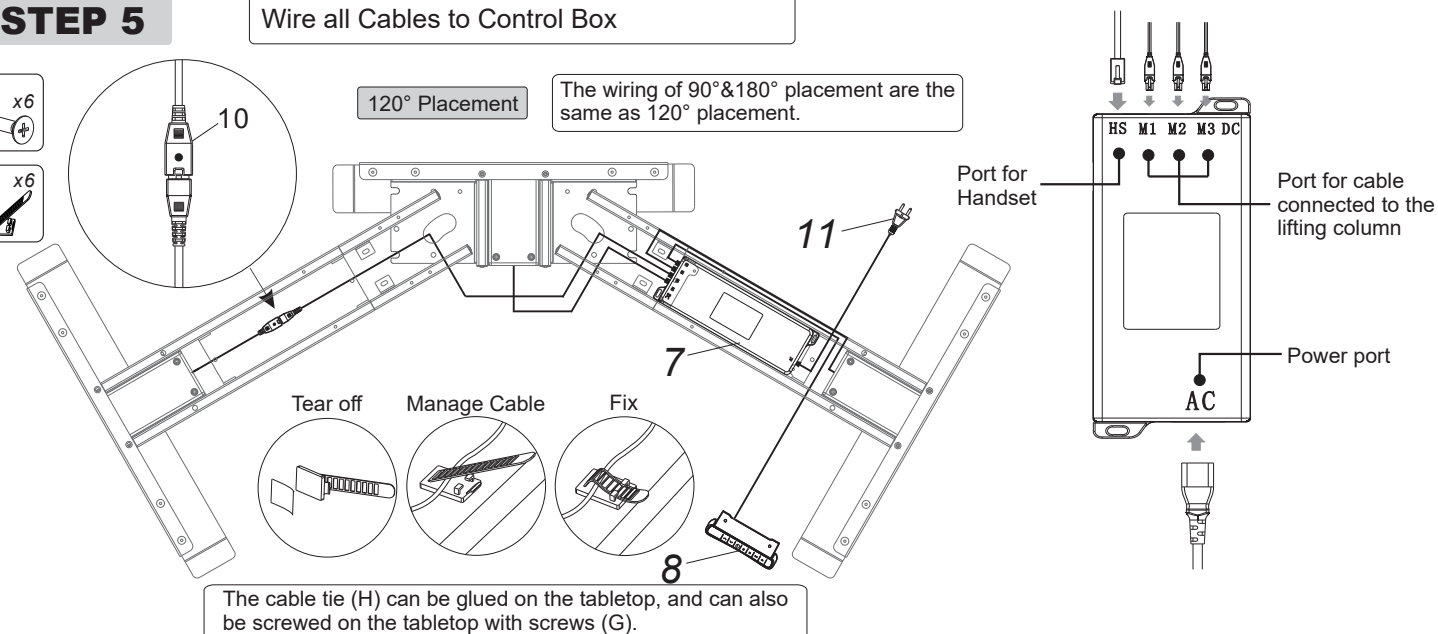
### STEP 5

Wire all Cables to Control Box



120° Placement

The wiring of 90°&180° placement are the same as 120° placement.



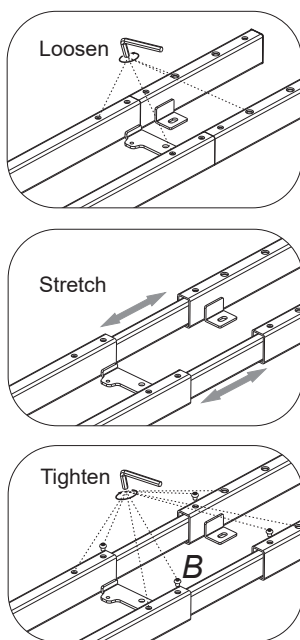
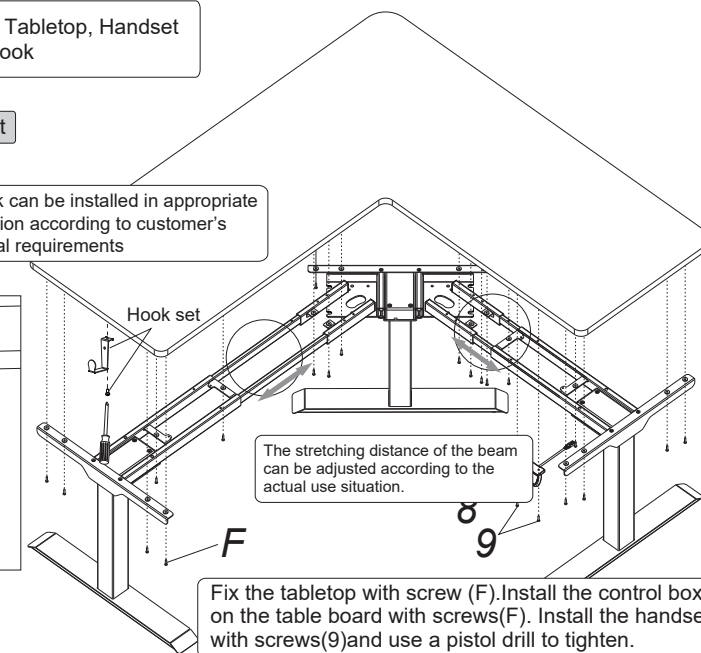
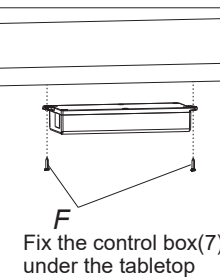
### STEP 6-1

Install Tabletop, Handset and Hook



90° Placement

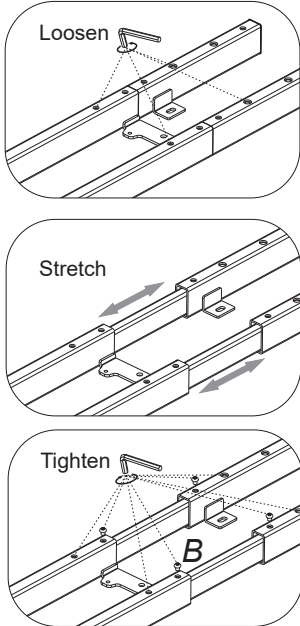
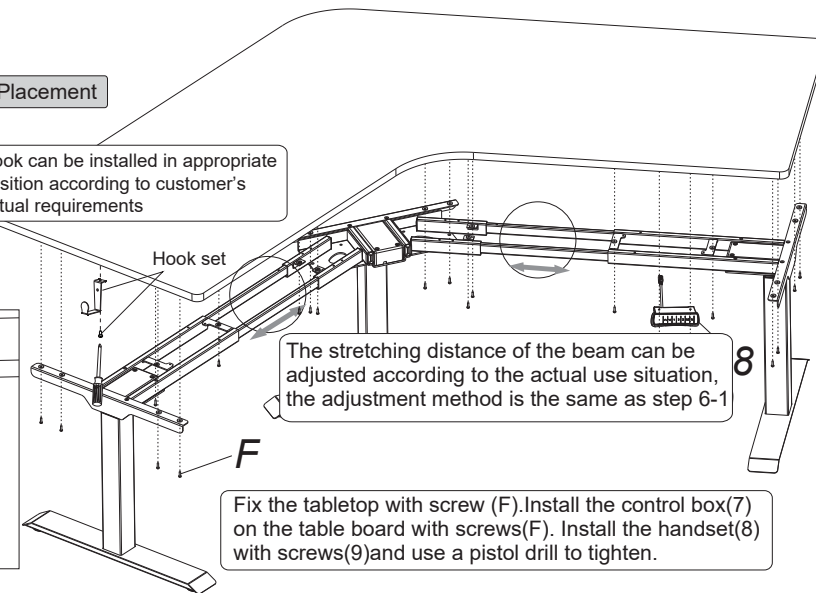
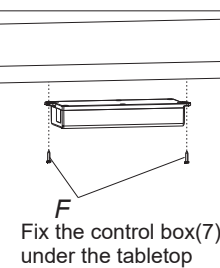
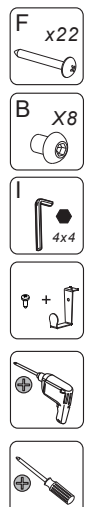
Hook can be installed in appropriate position according to customer's actual requirements



### STEP 6-2

120° Placement

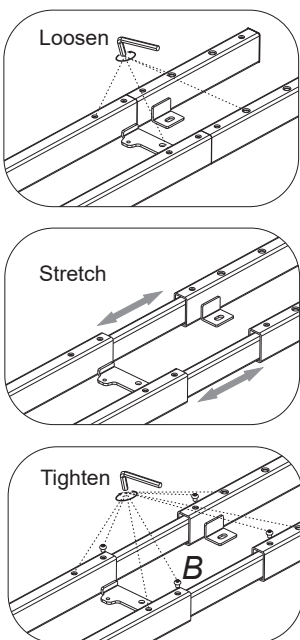
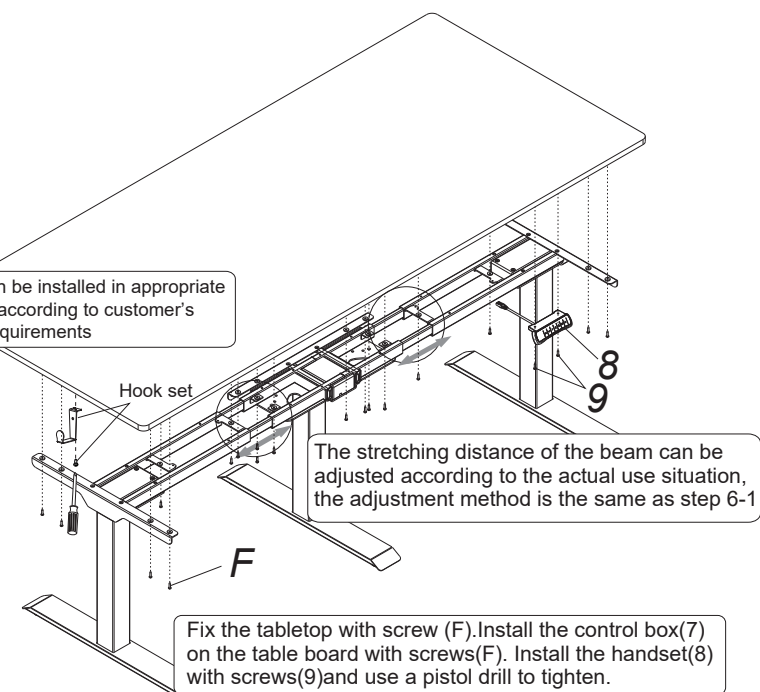
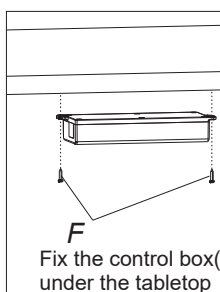
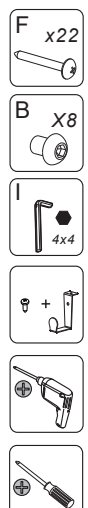
Hook can be installed in appropriate position according to customer's actual requirements



### STEP 6-3

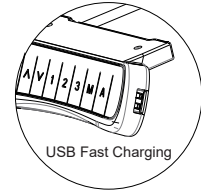
180° Placement

Hook can be installed in appropriate position according to customer's actual requirements

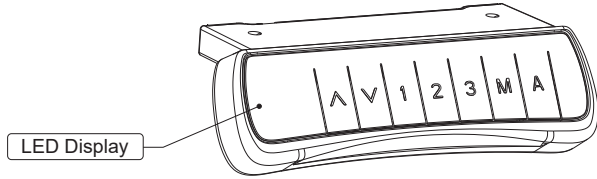


## How to use handswitch

### Button



USB Fast Charging



LED Display

Button introduction: There are seven buttons that

"▲", "▼", "1", "2", "3", "M", "A"

- (1) "▲" : Adjust the desk upwards
- (2) "▼" : Adjust the desk downwards
- (3) "1" : Position 1, first height position saved by the user
- (4) "2" : Position 2, second height position saved by the user
- (5) "3" : Position 3, third height position saved by the user
- (6) "M" : Height memory function
- (7) "A" : Alert button to remind users changing posture

## Instruction

- Height Adjustable Function:  
Press the "▲" or "▼" button to adjust the height. The LED display shows the current height.
- Height Memory Function:  
a. Press UP or DOWN button and adjust the height to the desired height. Press "M" to save the height, and the screen will display "5-";  
Press "1", "2", or "3" then, that is, save the height to the corresponding position 1 or 2 or 3, which will show in the display screen as "5-1", "5-2", or "5-3";  
b. Press "1", "2" and "3" button directly to automatically adjust the memory height you saved.
- USB charging function:  
a. USB output: QC2.0/QC3.0, 5.0v / 9.0v / 12.0v, ±5%, current: 1.5a
- Reminder Function:  
a. Press REMINDER button "A" to activate the function. The LED display shows "00" or "on".  
b. Two seconds later, press the "▲" or "▼" button to adjust the reminder time only when the display screen flashes. The default time of the reminder is 45 minutes, which is shown as "2:45". Then press any button to save the time setup, or wait 5 seconds and system will save the time setup automatically. During the countdown, any operation will lead to a repeat starting of the timer. When the countdown finishes, display screen will show "00" the buzzer will be active with a 10-second "DiDi...DiDi...DiDi..."tone.  
c. Within the 10-second reminder buzz, press any button to reactivate the time countdown that is set up in (b) step. If no operation during the 10-second reminder buzz, there will be another reminder buzz after 5 minutes. No operation during the second buzz will turn off the Long-Time Sitting Reminder.  
d. Press and hold the "A" button for three seconds to turn off the Long-Time Sitting Reminder. The LED display shows "055" or "055".
- Collision prevention sensitivity adjustment - optional features:  
a. Press and hold the "▲" "▼" button for 5 seconds at the same time to switch the sensitivity. There are four levels of sensitivity (A-3, A-2, A-1, A-0). Each operation will switch the sensitivity into the next level.  
b. The display shows "0-0", the anti-collision function is off; the display shows "0-1", low sensitivity; Display shows "0-2", medium sensitivity; display shows "0-3", high sensitivity;  
c. During height adjustment, when tabletop comes in contact with another object, it instantly stops and reverses to avoid damage.  
d. Press and hold the "▲" "▼" button for 5 seconds at the same time. If the display does not display the above code, there is no anti-collision function.
- Troubleshooting:  
a. Reset: When the LED shows "R51" or "r51", press "▼" button until the desk reaches its lowest height and rebounds to stop, it means the reset has been finished.  
b. When it doesn't work and the LED shows "E01" or "E02", please retry 18 minutes later.  
c. If the "▼" button doesn't work, please check the cable connection and then cut off the power for at least 10 seconds. Reconnect to the power and press "▼" button to start the reset process when it shows the "R51" or "r51".  
d. If all these above process are inefficient, please contact our customer service.

## Common fault treatment

The following tips will help you detected and eliminate the common fault and error. If the fault you met is not listed below, please contact with your supplier. Only the manufacturer and professionals are capable for investigating and correcting those fault and error.

Error	Method
No response while pressing	Check if all the cables well connected;
Rising in a low speed	Check if overloaded, max loading: 150kg;
The desktop moving towards the opposite direction as ordered	Reset;
The desk moving downwards without any operation	Check if overloaded, max loading: 150kg;
Automatically Self-Reset	Check if overloaded, max loading: 150kg;
Overload Operation	Restart after suspend for 18mins while connecting with power;
Can't reach the min or max height	Press "M" and "3" together for 3 seconds or more, after hearing beep for twice, it will reset.



## Attention

1. Power supply: AC200V-240V, 50/60Hz
2. Service Environment: 0-40°C
3. Unplug the power plug before cleaning, wipe the dust on surface with slight wet dishcloth when cleaning, be careful not to let the drops into the internal parts, not loose the connector.
4. The electric box contains electronic components, metals, plastics, wires etc., so dispose of it in accordance with each country's environmental legislation, not the general household waste.
5. Check carefully to ensure correct and complete assembly before using.
6. Be familiar with all functions and program settings of the product before first use.
7. Children are forbidden to play on the product because of unforeseen action when playing, so any dangerous consequences caused by this improper action will not be on manufacturers.
8. Slight noise caused by the V-ribbed belt or brake system due to structure will not have any effect on the use of the equipment.
9. Corrosive or abrasive materials are forbidden to clean the equipment. Must ensure that the cleaner used will not pollute the environment.
10. This appliance can be used by children aged from 8 years and above and persons with reduced physical, sensory or mental capabilities or lack of experience and knowledge if they have been given supervision or instruction concerning use of the appliance in a safe way and understand the hazards involved. Children shall not play with the appliance.
11. Cleaning and user maintenance shall not be made by children without supervision.
12. If the supply cord is damaged, it must be replaced by the manufacturer, its service agent or a similarly qualified person in order to avoid a hazard.
13. Please make sure there is no hazard sources in your operating environment. e.g., do not litter the tools around. Always be careful to treat the packaging materials in order to avoid any possible danger, e.g. plastic bag may lead to choking hazard to children.
14. Keep the original package of the equipment if necessary in case of the future use in transportation.

## Waste disposal



This marking indicates that this product should not be disposed with other household wastes. To prevent possible harm to the environment or human health from uncontrolled waste disposal, recycle it responsibly to promote the sustainable reuse of material resources. To return your used device, please use the return and collection systems or contact the retailer where the product was purchased. They can take this product for environmental safe recycling.