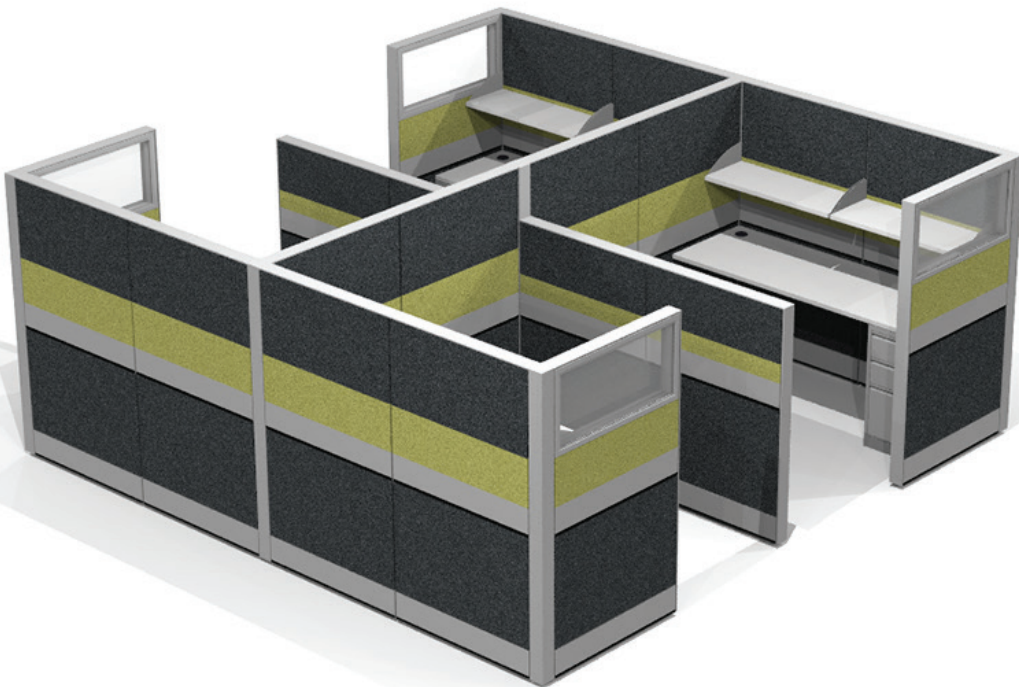




SAPPHIRE CUBICLE SYSTEM

Installation Guide



39"H, 52"H and 65'H

Tools Needed for Installation

(Professional Assembly
Recommended)



Drill Bits



1/4 Driver



Clamp



Mallet



Screw Gun



Allen Keys



Chop Saw



Level



Pry Bar

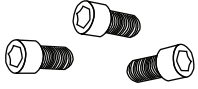


Double-Sided Tape

Quick Tips

1. Unpack all product before assembly
2. 3 person installation
3. Make sure all panels are level
4. Frame entire office before installing tiles. ***MAKE SURE TO INSTALL END CAP BEFORE INSTALLING TILES**
5. Professional installation recommended.
6. **If your floor plan does not fit exactly with our sizes we suggest the following: A contractor may be hired to build out wall to meet measurements. This is called a knee wall and very common in the industry when odd measurements are left. This will make a finished look.

Identifying Parts



1/2" Hex Bolts- for connectors

1" Hex Bolts- for panel to panel connectors



End Trim



Light Blockers
Small/Large

Connectors



4 Way Connector



3 Way Connector



2 Way Connector



Straight Panel to
Panel Connector



120 Degree 2
Way Connector



45 Degree 2 Way
Connector

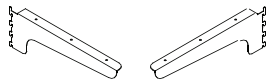


120 Degree 3
Way Connector

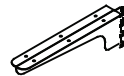
Support



Corner Worksurface
Support



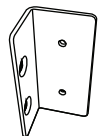
Right/Left Cantilver



Double Cantilver

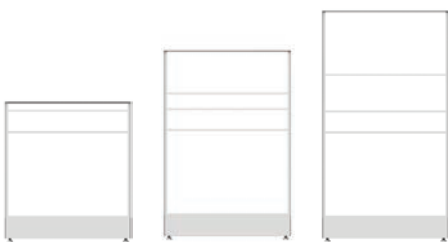


Flat Bracket



Transaction Support/
Counter Top Bracket
(Set of 4)

Panel Frames



39"H

52"H

65"H

Tiles



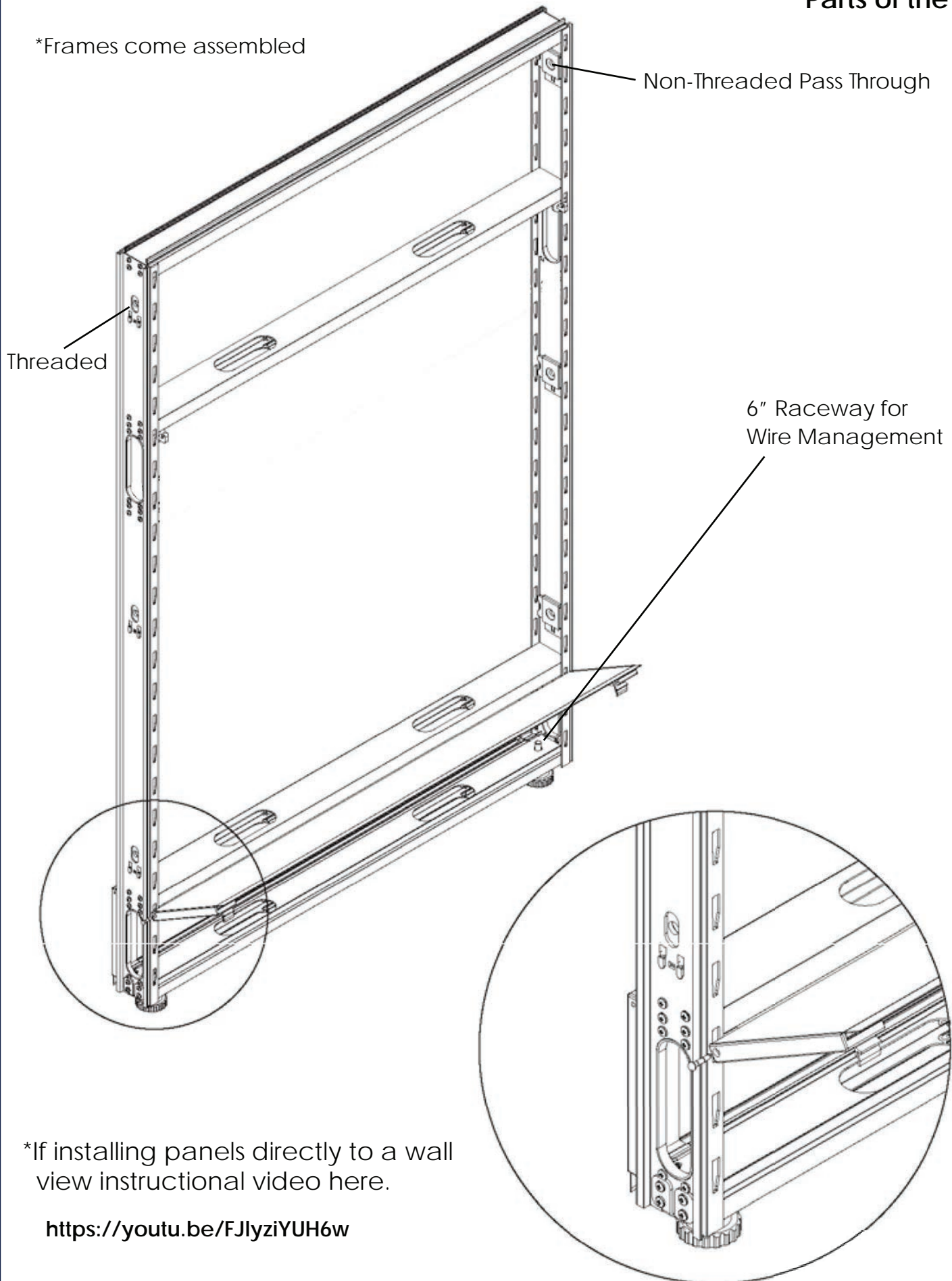
Materials Vary

Glass Options



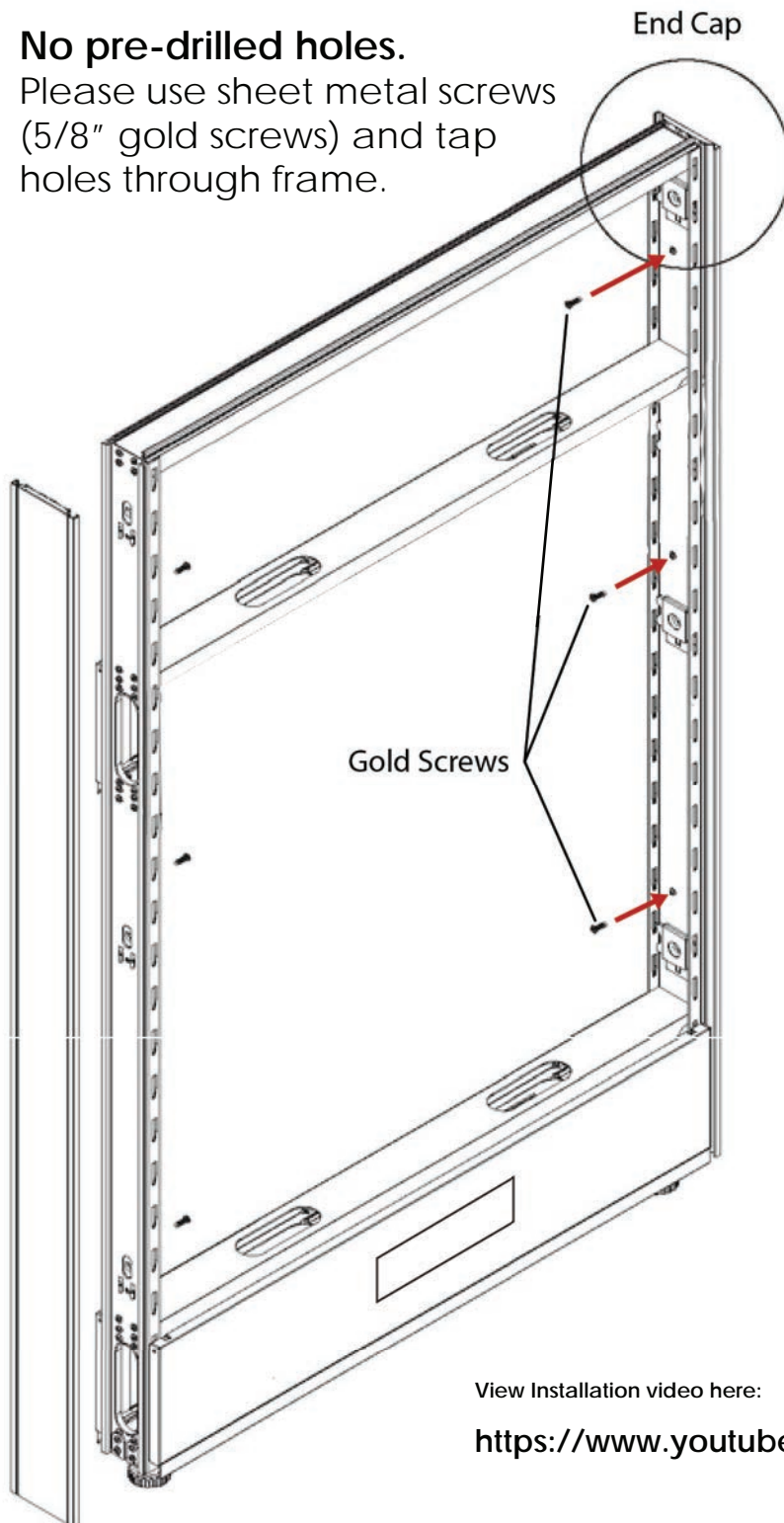
Panel Topper/Stacker

*Frames come assembled



*MAKE SURE TO INSTALL END CAP BEFORE INSTALLING TILES

No pre-drilled holes.
Please use sheet metal screws
(5/8" gold screws) and tap
holes through frame.



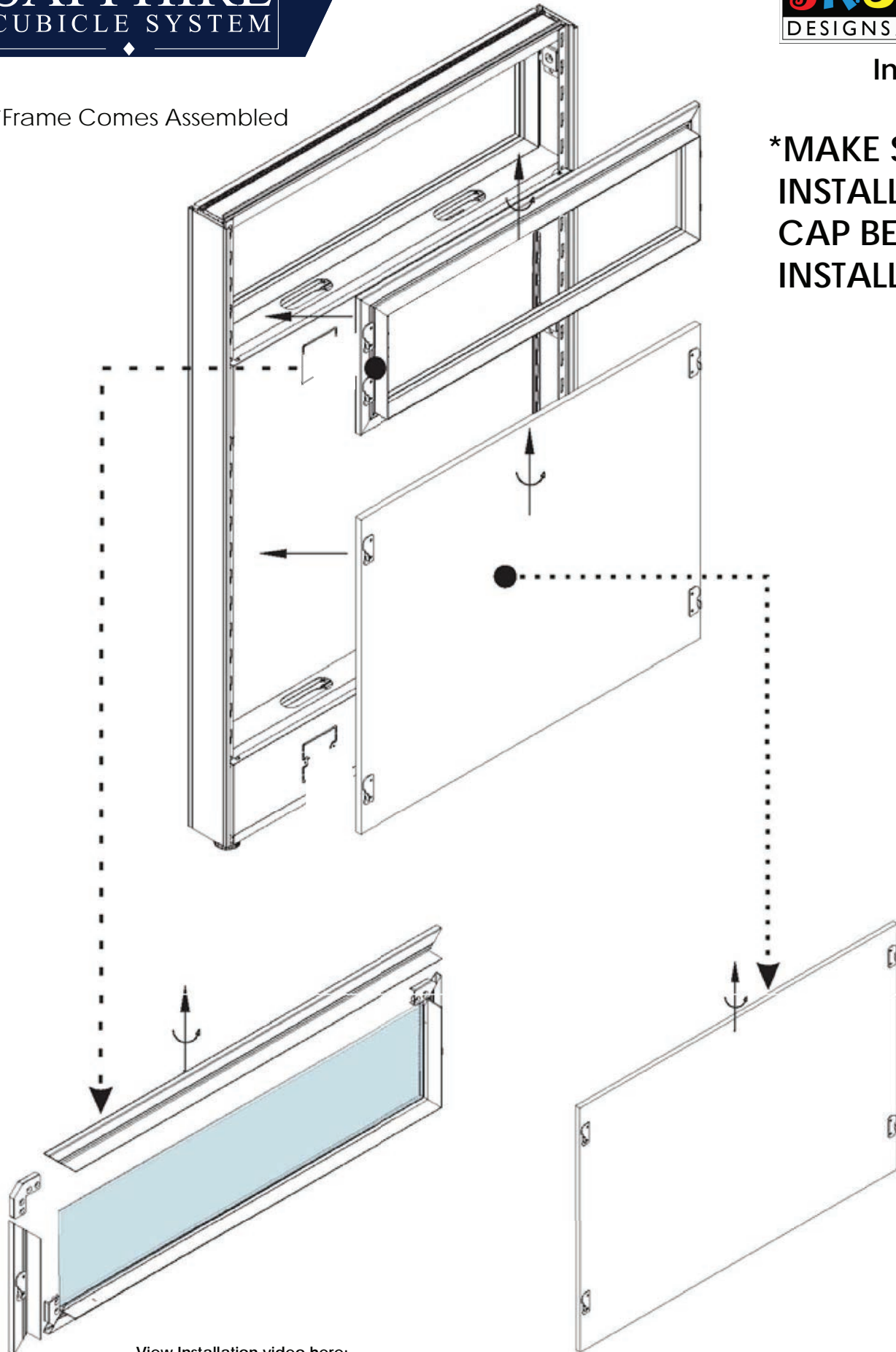
View Installation video here:

<https://www.youtube.com/watch?v=lfOW-KOD59o>

Installing Tiles

*Frame Comes Assembled

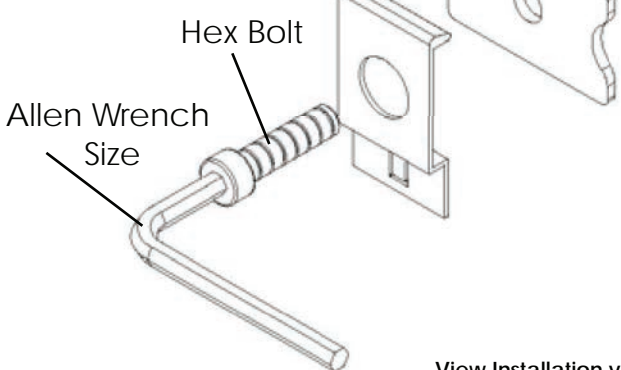
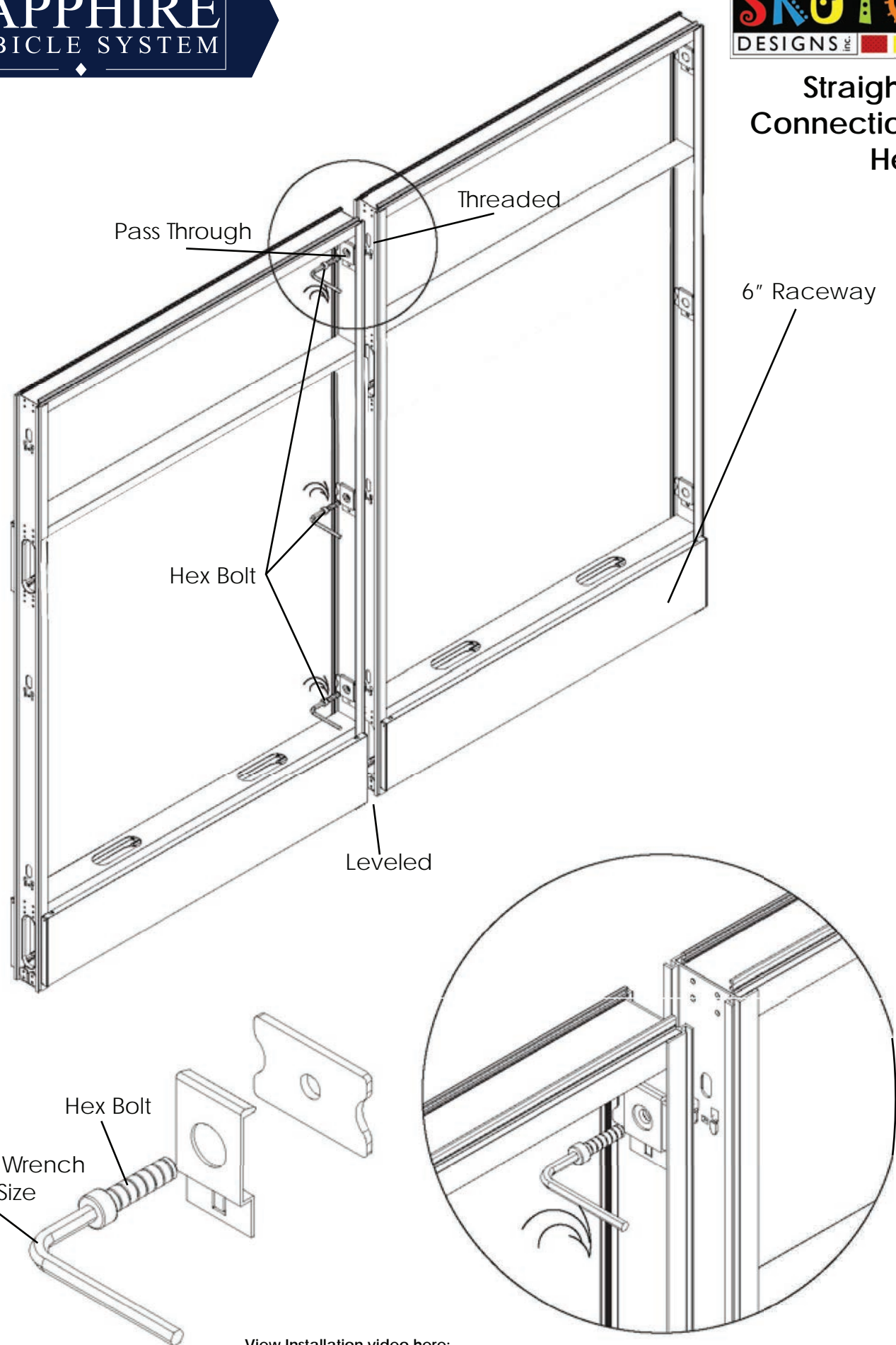
***MAKE SURE TO
INSTALL END
CAP BEFORE
INSTALLING TILES**



View Installation video here:

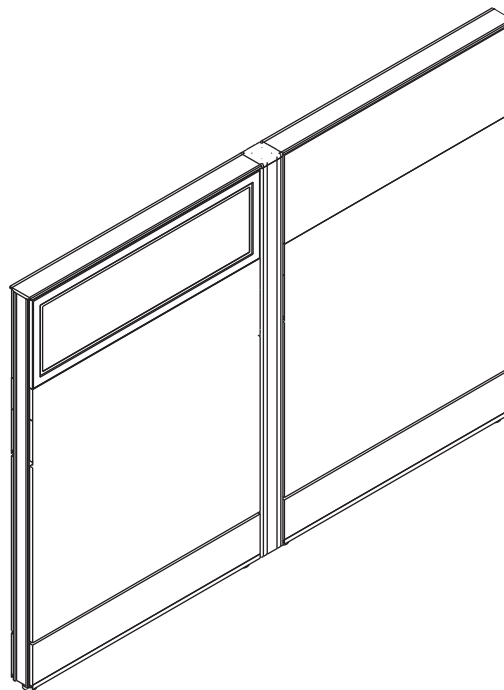
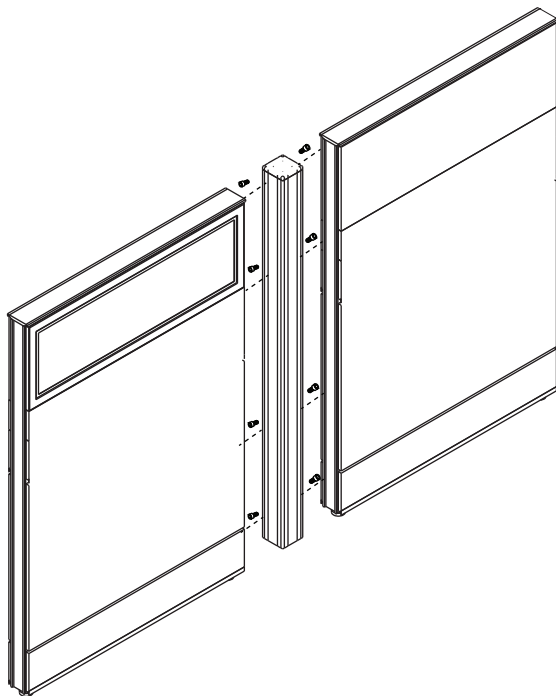
<https://www.youtube.com/watch?v=4Hxd4AGEFm4>

**Straight Panel
Connections with
Hex Bolts**

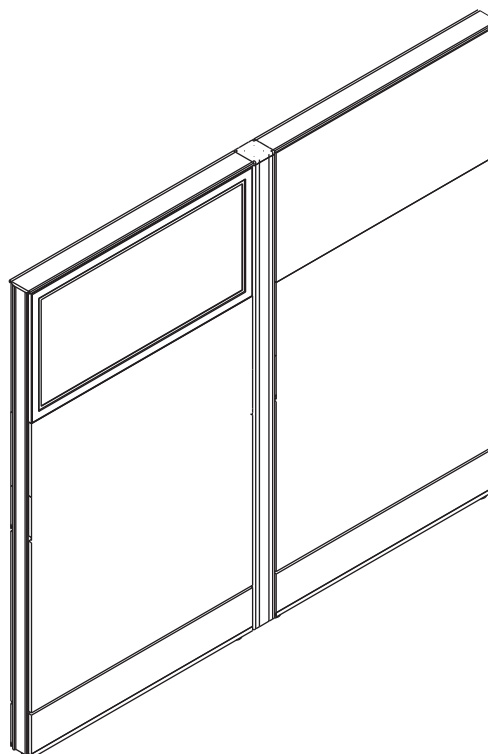
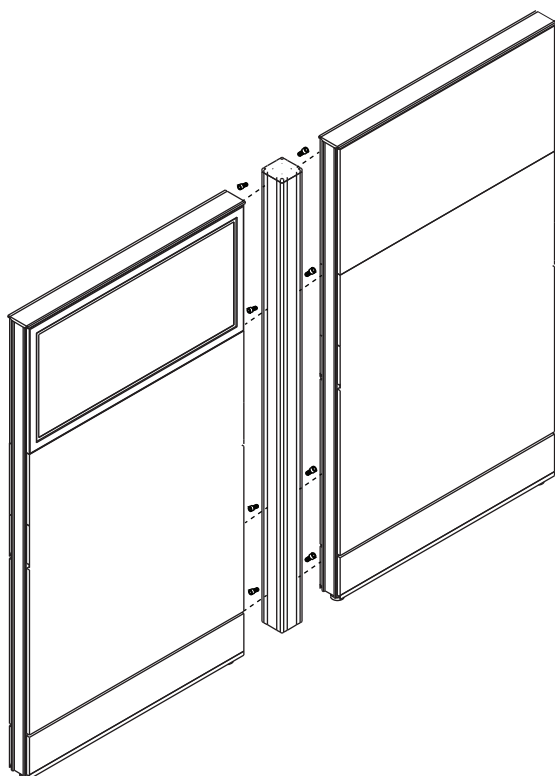


View Installation video here:
<https://www.youtube.com/watch?v=4Hxd4AGEFm4>

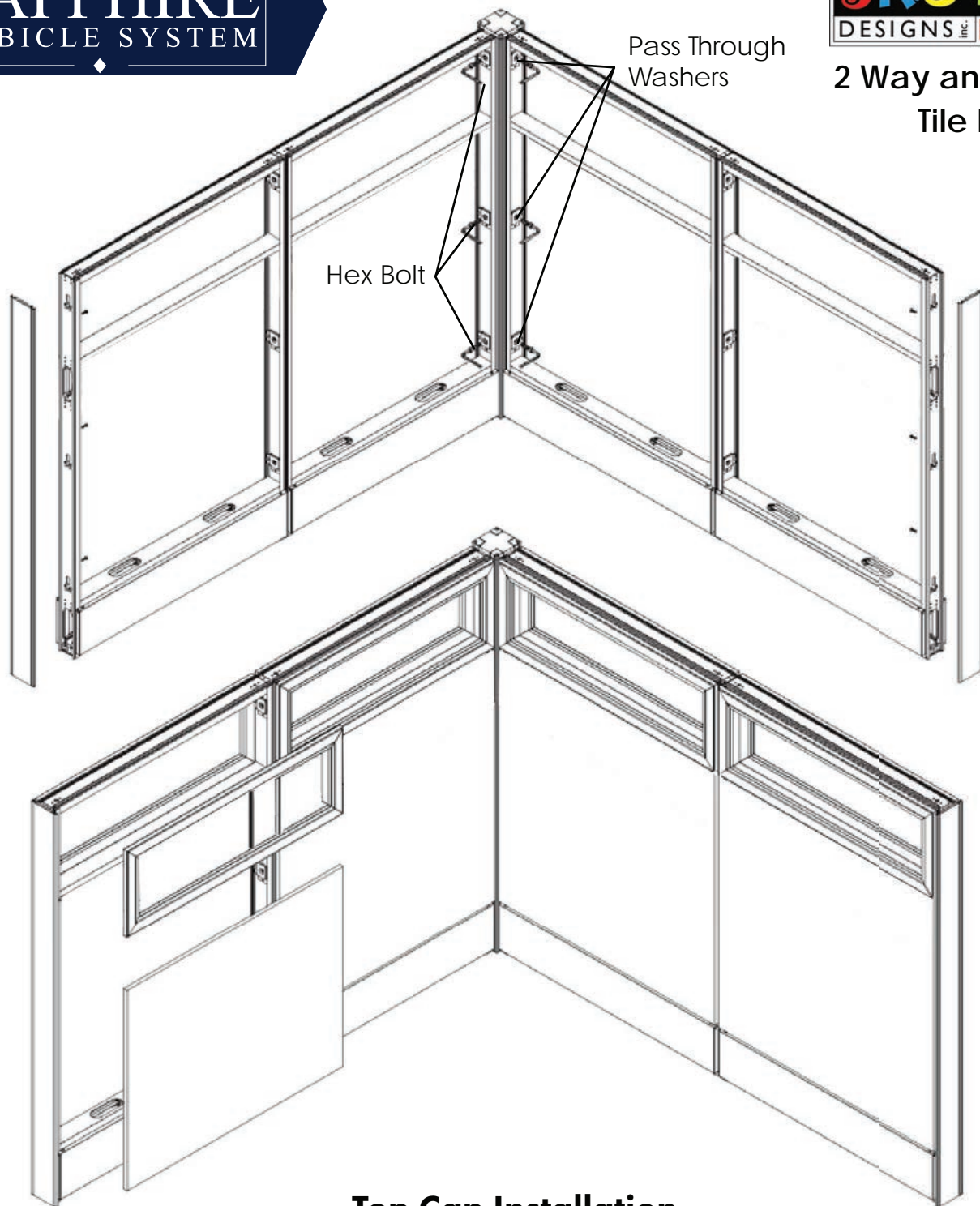
54" Straight Connector



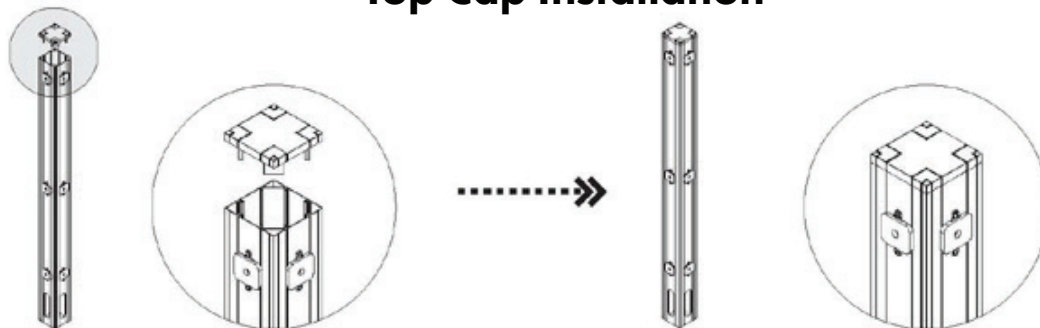
65" Straight Connector



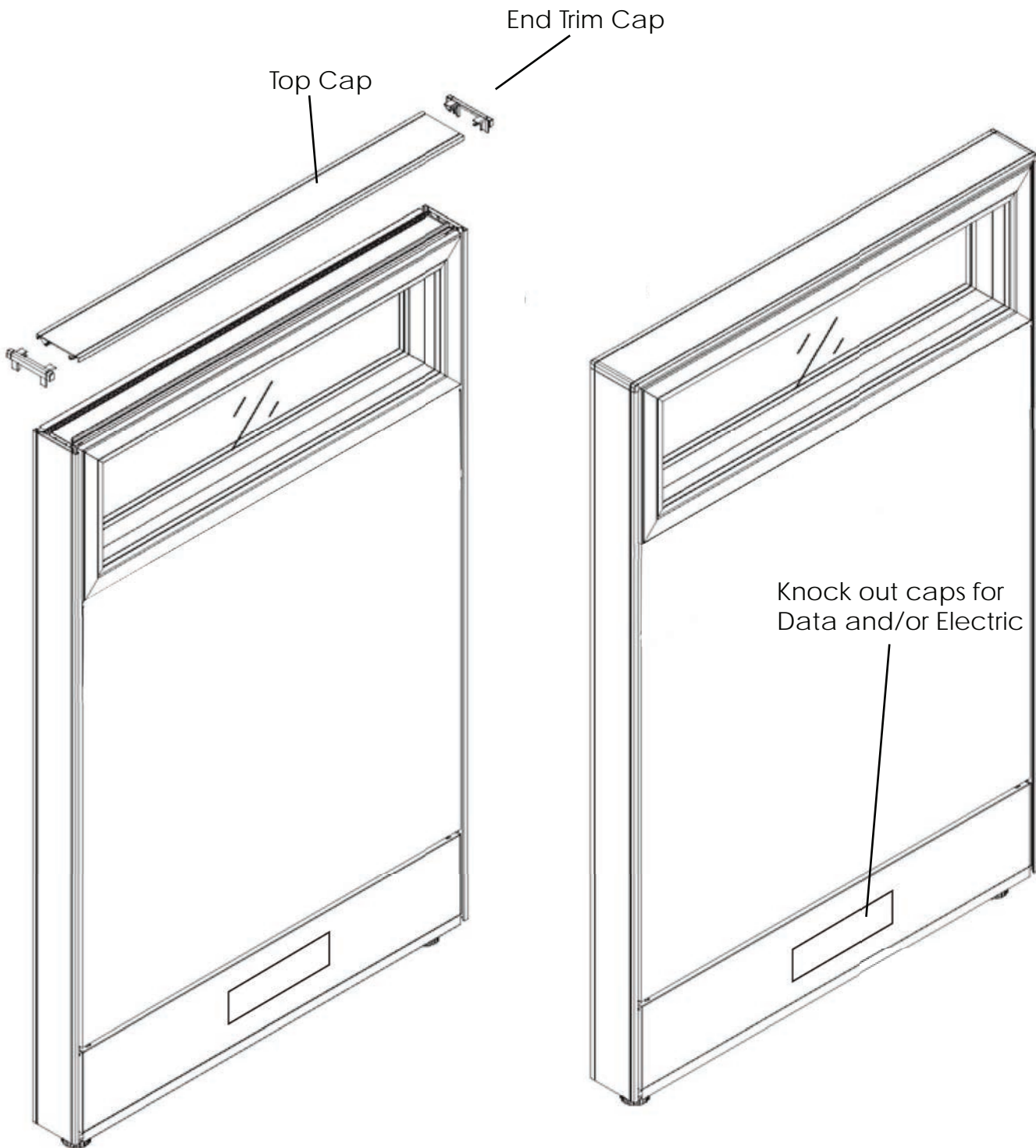
2 Way and End Cap Tile Installation



Top Cap Installation



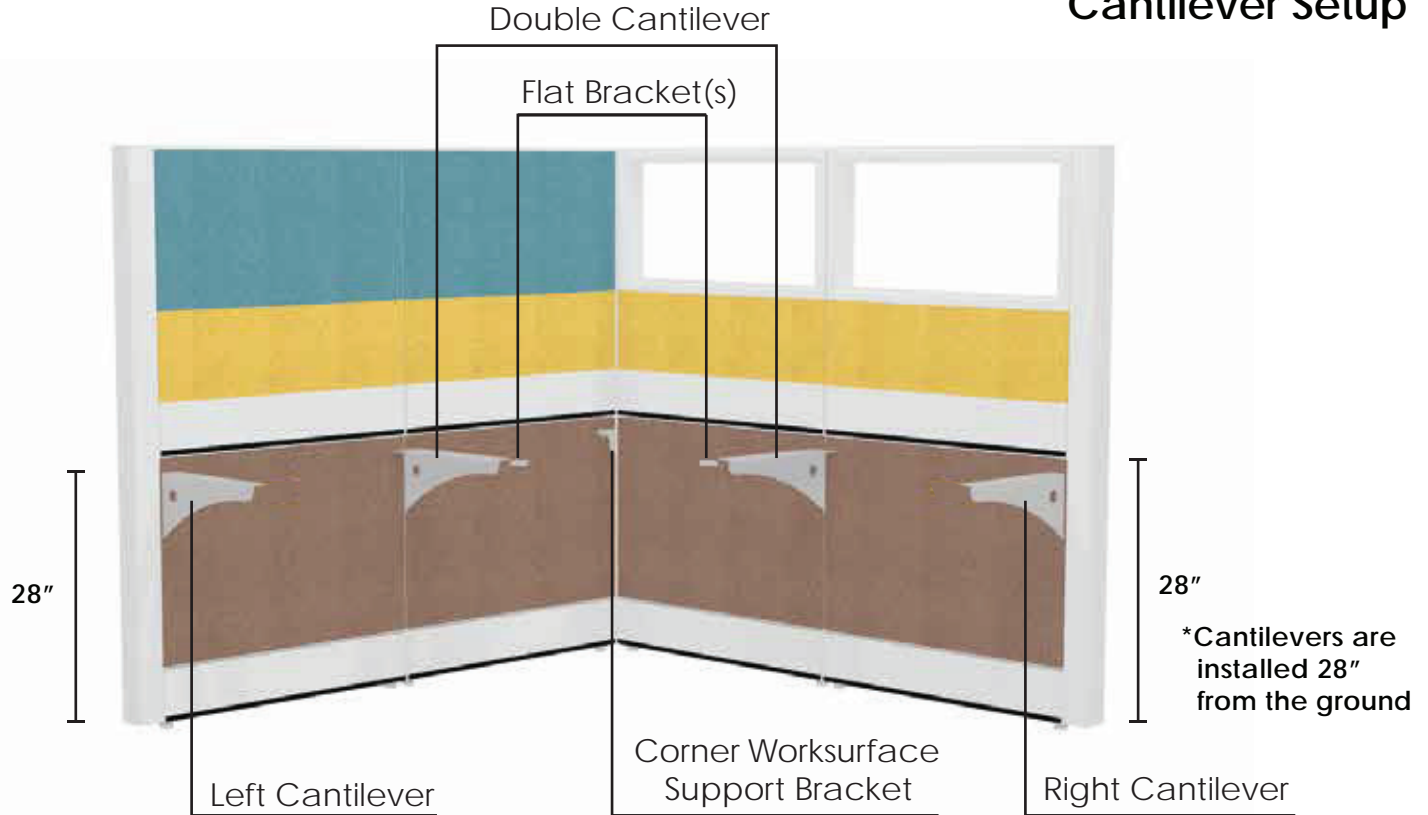
Top Cap



View Installation video here:

<https://youtu.be/Y46BAsA6IGY>

Cantilever Setup



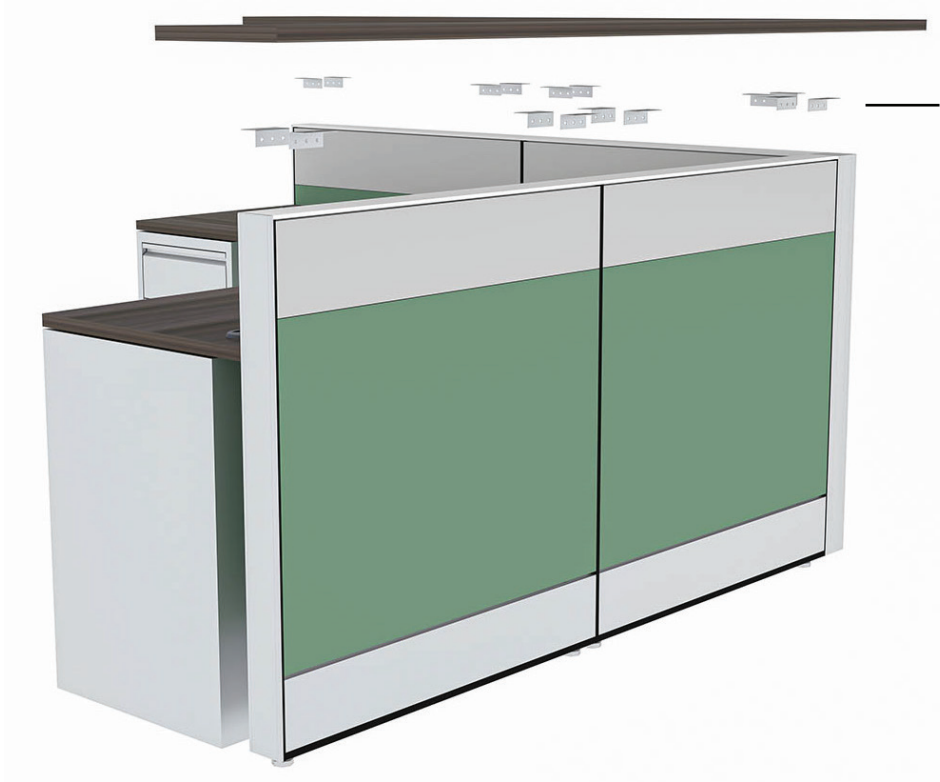
View Installation video here:

<https://youtu.be/3IKgamg6QFQ>

Reception Transaction Top Assembly

The panel top caps are attached to the transaction tops.

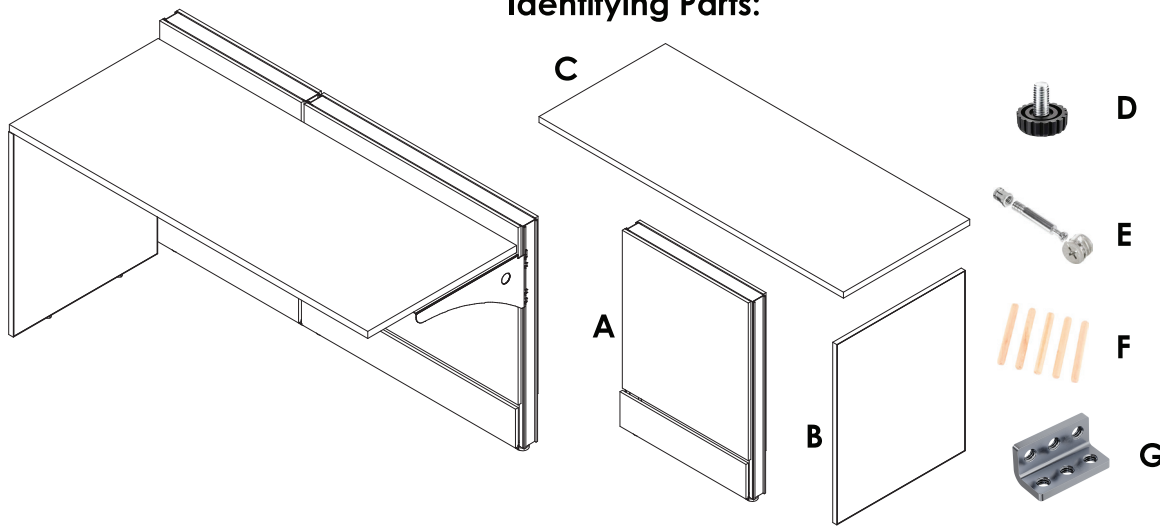
1. Snap the top cap/transaction top to the panel
2. Screw in the L Brackets as shown



Transaction Top
Cantilevers
(L-Brackets)



Identifying Parts:



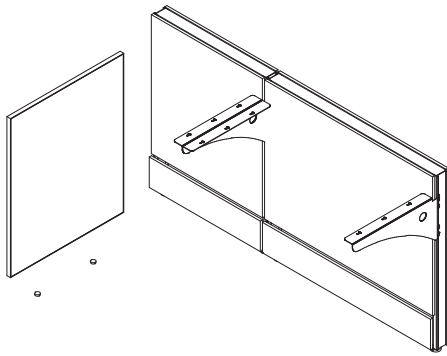
Key:

- A= Panel
- B= Leg Support
- C= Top
- D= Feet
- E= Cam Lock
- F= Dowel
- G= L-Bracket

*Parts are connected using cam locks and wooden dowels. The amount of cam locks and wooden dowels will vary based on planter size.

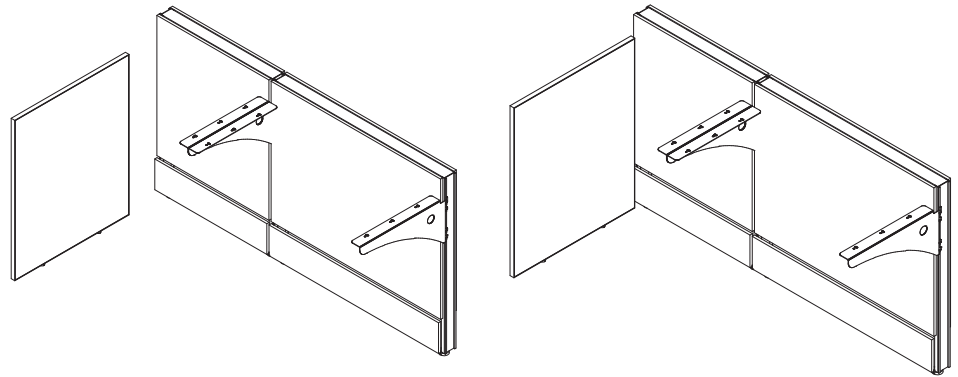
Step 1:

Add Feet to Large Side Wall B



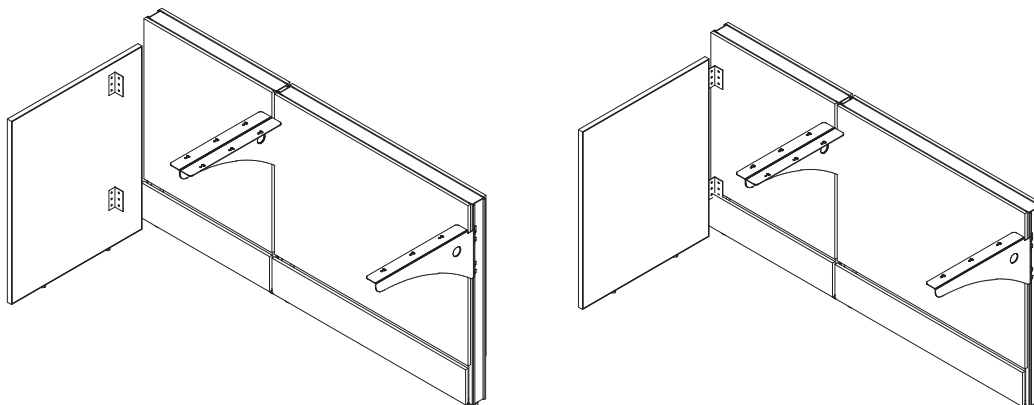
Step 2:

Line up Leg Support to existing Emerald System panel



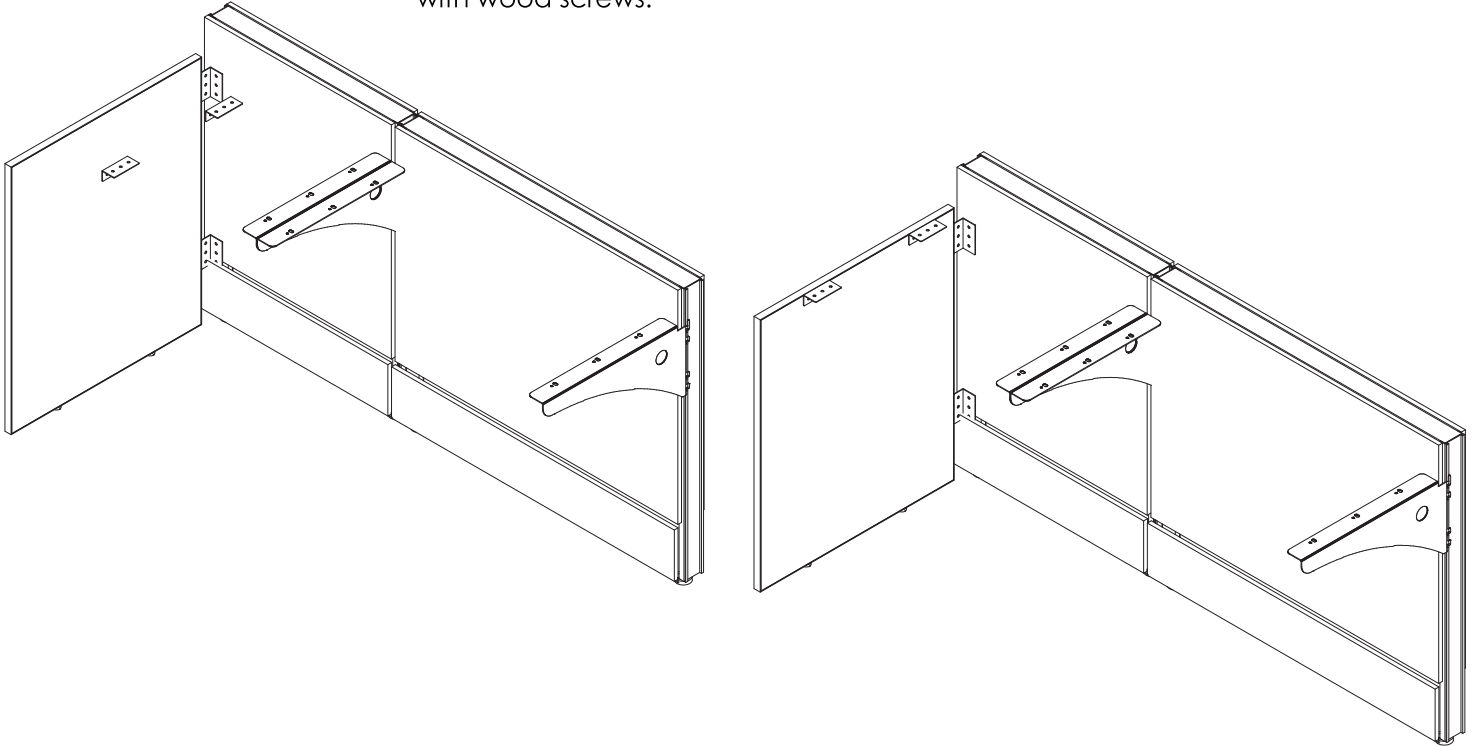
Step 3:

Using L- bracket, connect leg to existing Emeralds System with wood screws.



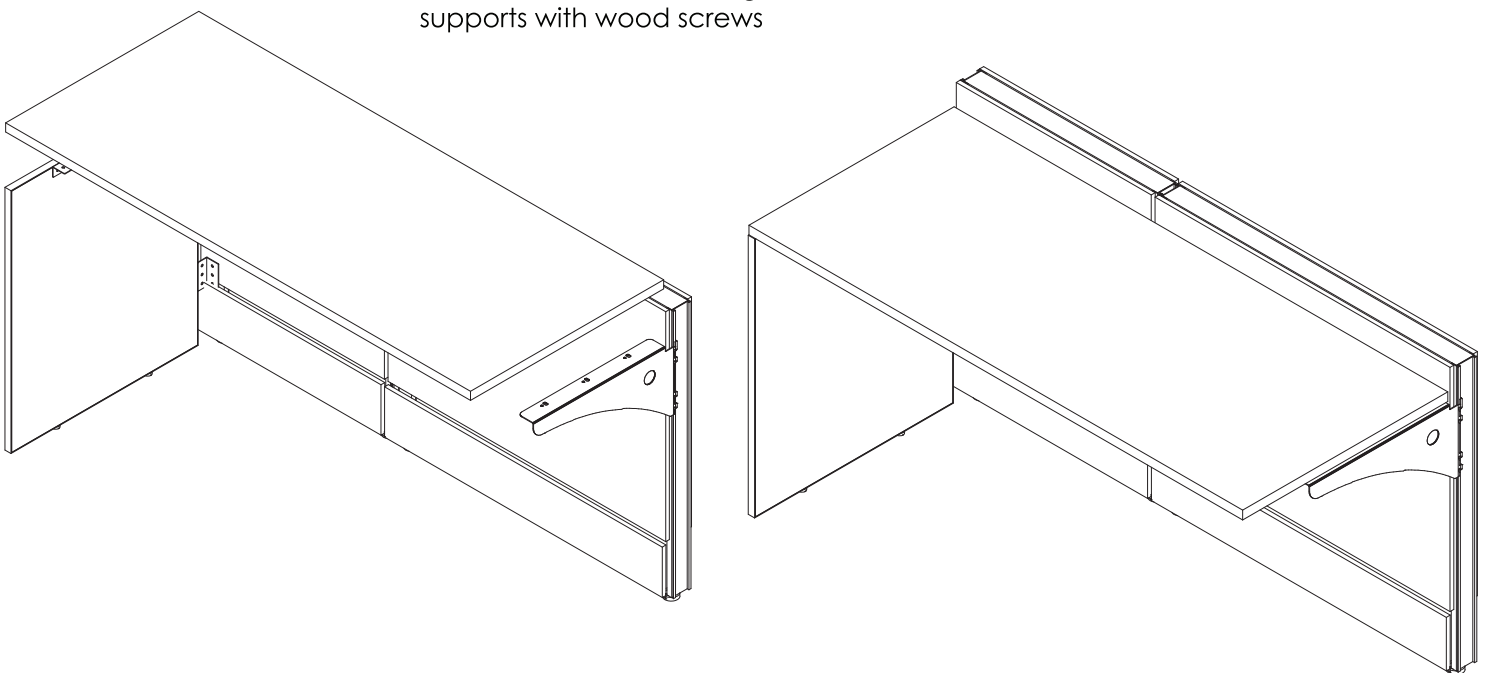
Step 3:

Using L- bracket, connect leg to existing Emeralds System with wood screws.



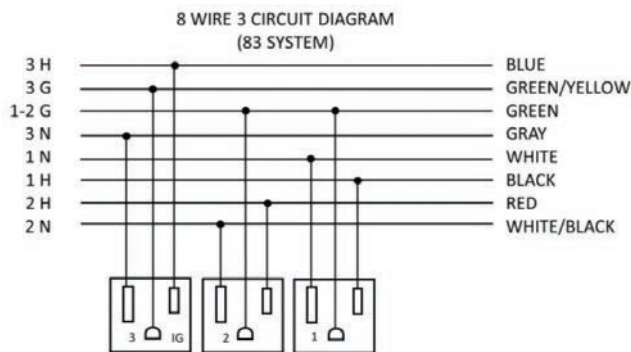
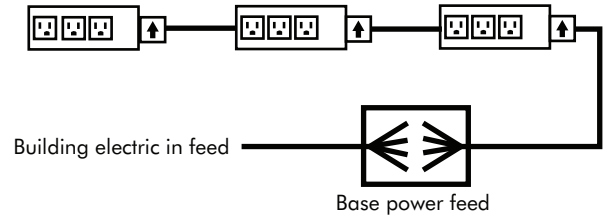
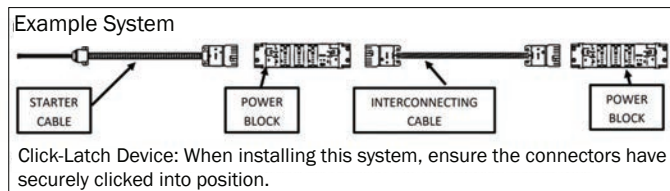
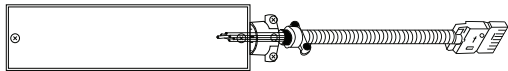
Step 4:

Attach Worksurface to leg supports with wood screws



FINAL CONNECTION IS DONE BY A LICENSED ELECTRICIAN

WARNING: Risk of fire or electric shock. As with all non-directional systems, do not electrically connect panel to more than one supply source. Always determine that the panel is electrically connected to one and only one source of supply. Before using any equipment, check the entire system for polarity, continuity, and grounding integrity.



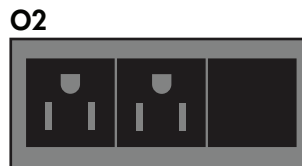
Power Supply Connection
The Power System is an eight wire system consisting of four individual circuits rated at 20 amps/120 volts maximum. Circuit 1 (black), circuit 2 (red), and circuit 4 (pink), are served by a system neutral (white) and an equipment ground (green). Circuit 3 (blue) uses an isolated neutral (gray), and an isolated ground (green/yellow). The system may be supplied by a three phase power system with four individual circuits rated 20 amps/120 volts maximum, or as permitted by local code.

When connecting electric pass throughs to power moduls, please make sure ARROW is up

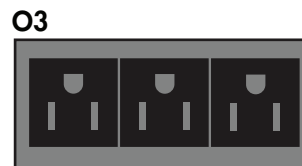
Outlet Layout Options



O1
OUTLET - BLANK - BLANK



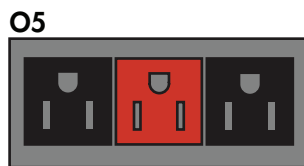
O2
OUTLET - OUTLET - BLANK



O3
OUTLET - OUTLET - OUTLET



O4
OUTLET - DEDICATED* - BLANK



O5
OUTLET - DEDICATED* - OUTLET



O6
BLANK - DEDICATED* - BLANK

***PLEASE NOTE:** Orange is used to represent the dedicated outlet. The actual color of the outlet is **black**.

EMERALD Cubicles come with style #225 Outlets.
SAPPHIRE Cubicles come with style #325 Outlets.

Data Setup Options

DM1



CAT 6 - Blank - Blank - Blank

DM2



CAT 6 - CAT 6 - Blank - Blank

DM3



CAT 6 - CAT 6 - CAT 6 - Blank

DM4



CAT 6 - CAT 6 - CAT 6 - CAT 6

DM5



CAT 6 - Phone Jack - Blank - Blank

DM6



CAT 6 - CAT 6 - Phone Jack - Blank

DM7



CAT 6 - CAT 6 - CAT 6 - Phone Jack

All Modules can be customized to customers specifications. Please call to review options with one of our sales representatives. Color of jacks may vary.