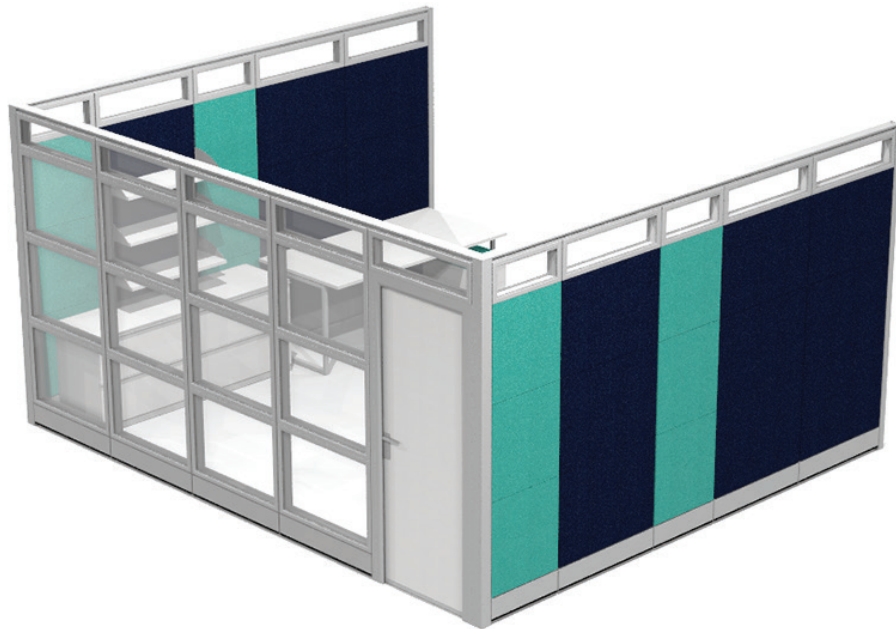




SAPPHIRE WALL SYSTEM

Installation Guide



84"H-108"H

Tools Needed for Installation

(Professional Assembly
Recommended)



Drill Bits



1/4 Driver



Clamp



Mallet



Screw Gun



Allen Keys



Chop Saw



Level

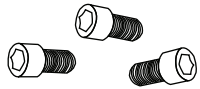


Pry Bar

Quick Tips

1. Unpack all product before assembly
2. Hang door last on install
3. 3 person installation
4. Make sure all panels are level
5. Frame entire office and lock to wall before hanging tiles.
6. Professional installation recommended.
7. **If your floor plan does not fit exactly with our sizes we suggest the following: A contractor may be hired to build out wall to meet measurements. This is called a knee wall and very common in the industry when odd measurements are left. This will make a finished look.

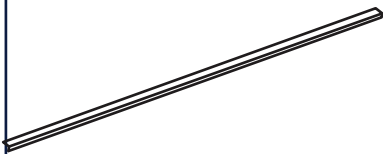
Identifying Parts



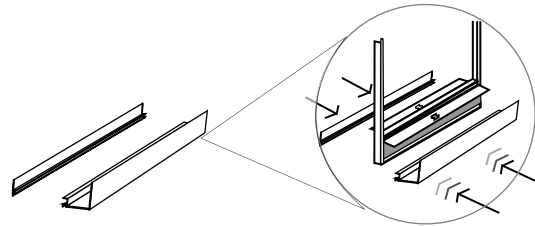
- 1/2" Hex Bolts- for connectors
- 1" Hex Bolts- for panel to panel connectors
- 3" Hex Bolts- for wall starter



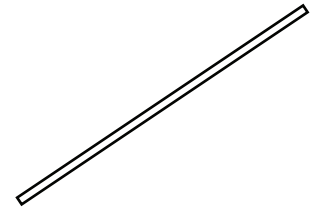
- 2" Sheet Metal Screws for top beam.



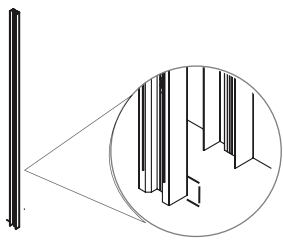
Top Beam



Bottom Track



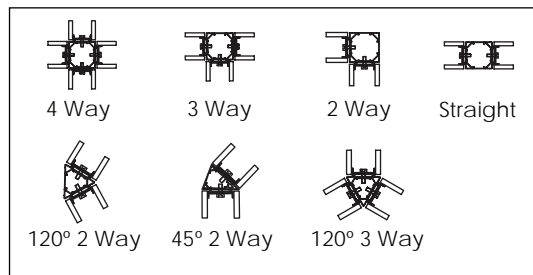
Spacer
Spacer Threaded and not Threaded



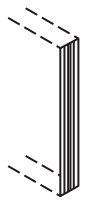
Wall Starter



Stack up Connector



Connectors



End Trim



Full Slab Frame



Panel Frame



Panel Topper- 10"
Panel Topper- 20"

Tiles



Materials Vary



Sliding

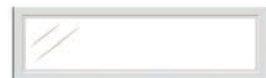


Swinging



Open

Door and Frame

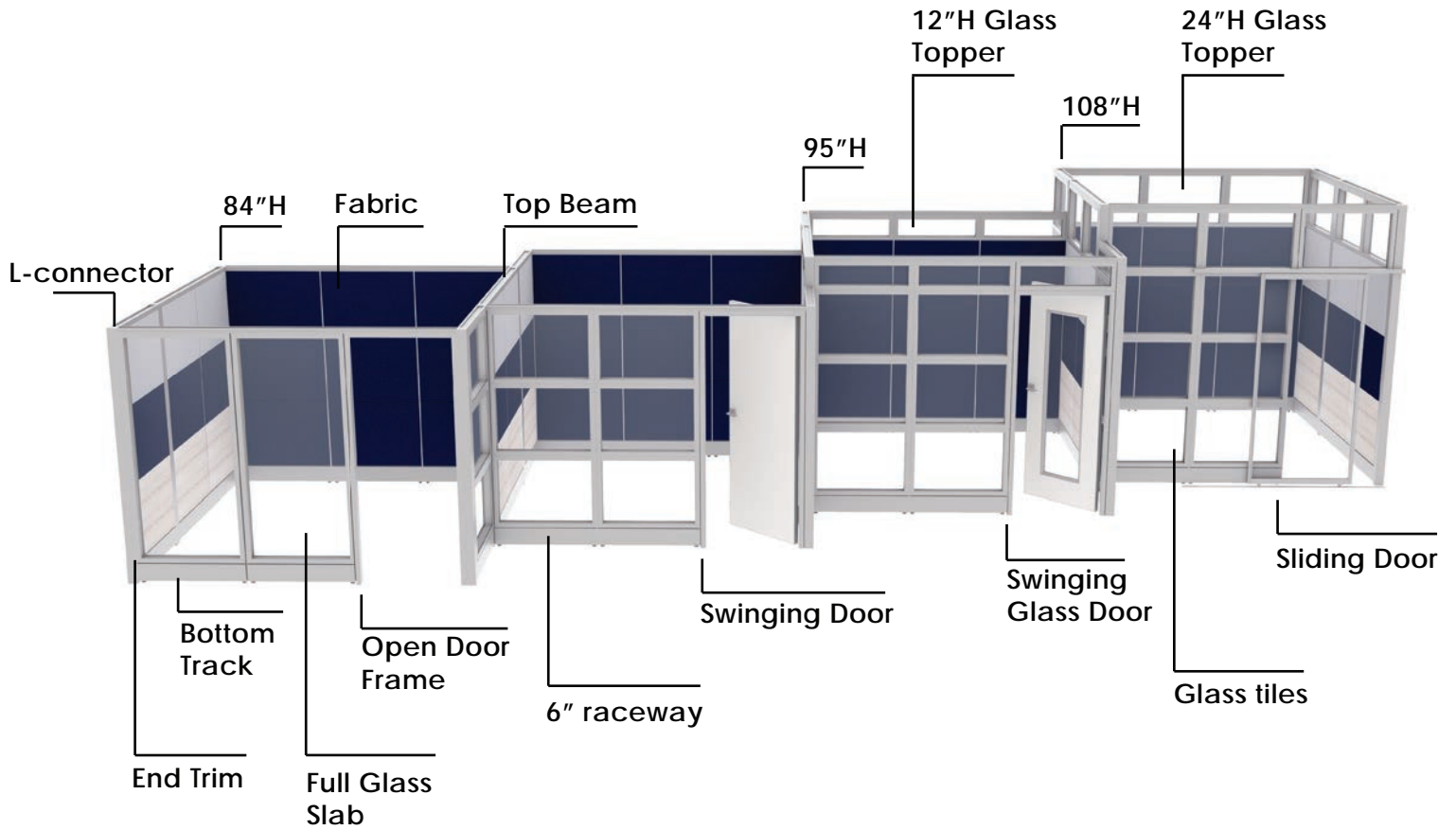


Glass Door Topper- 10"
Glass Door Topper- 20"
*1/2" Bigger Than regular Glass



Light Blockers
Small/Large

Example Images



Example of bottom track option

With bottom track



Without bottom track

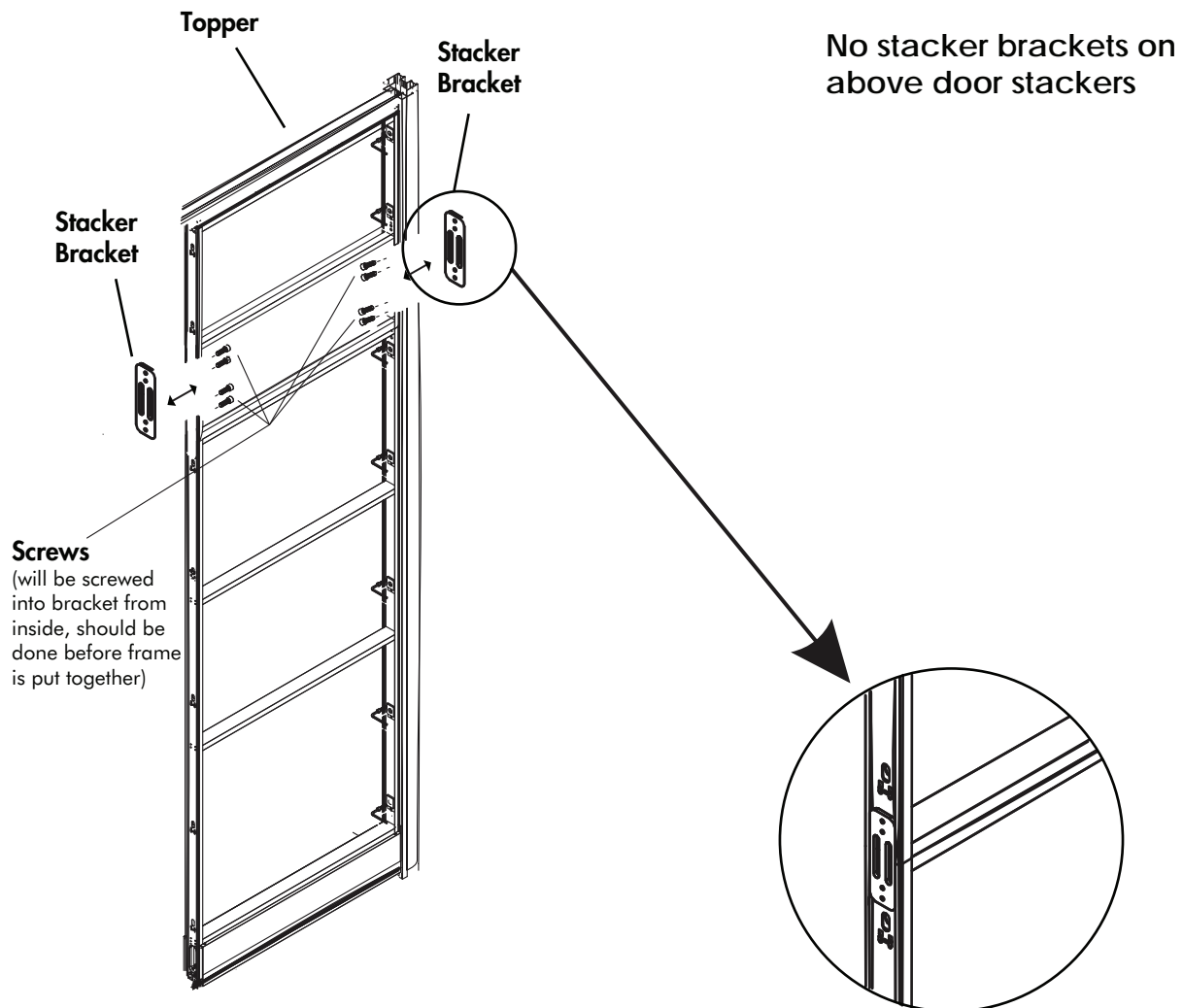


**Stacker Bracket
Connectors**

Step 1: (for 95"H and 108"H only)

Attach glass topper to the wall system using the bracket shown (84"H wall system will not need a topper). **Please attach stacker brackets and stacker frame before putting panels together.**

Above door glass is
1/2" larger



*95"H wall system will have a 11"H topper

*108"H wall system will have a 24"H topper

View Installation video here:

<https://youtu.be/ULel-iZAwAk>

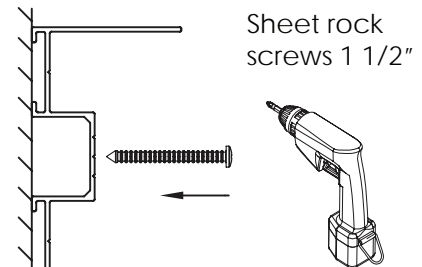
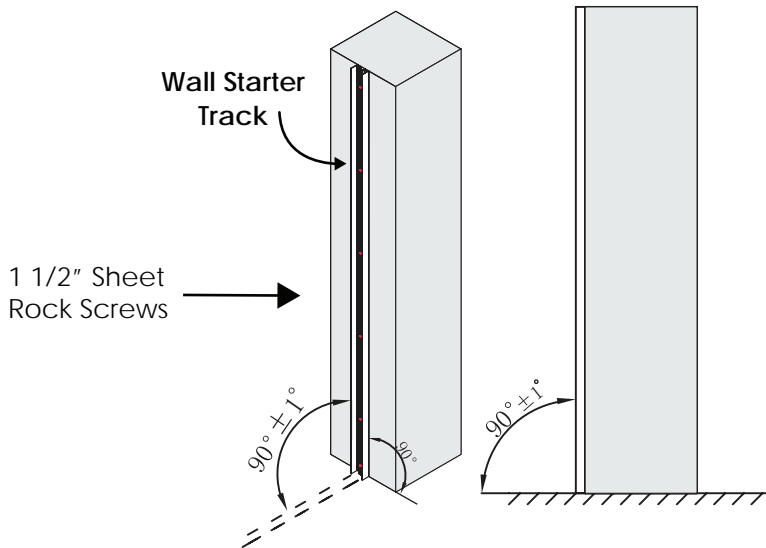
Installing Wall Starter and 1st Panel

Step 2:

Locate the starting point of the project and install your first wall starter sleeve. After that is installed attach the wall starter post for your first frame. **Use 3 in hex bolts.**

No pre-drilled holes.

Please use drill bolt and tap holes through frame. Then install sleeve on the wall

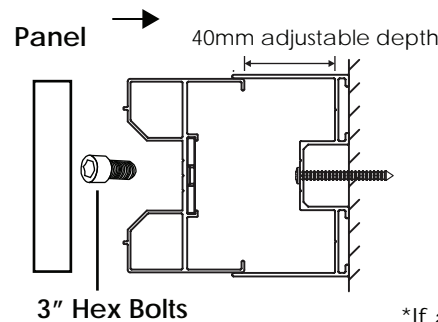
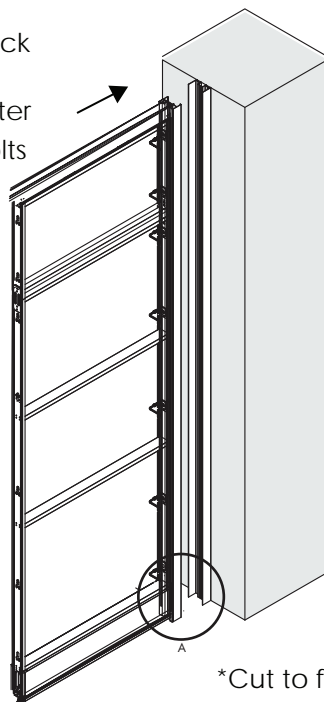


Fix the side groove into wall

Step 3:

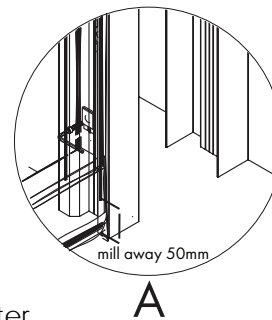
Slide frame into track

Connect Wall Starter To panel using 3" hex bolts



*Wall starters can adjust up to 1"

*If a connector needs to be attached to a wall, make pilot holes on the panel side and screw through the other side into the wall



*Cut to fit wall starter over molding.

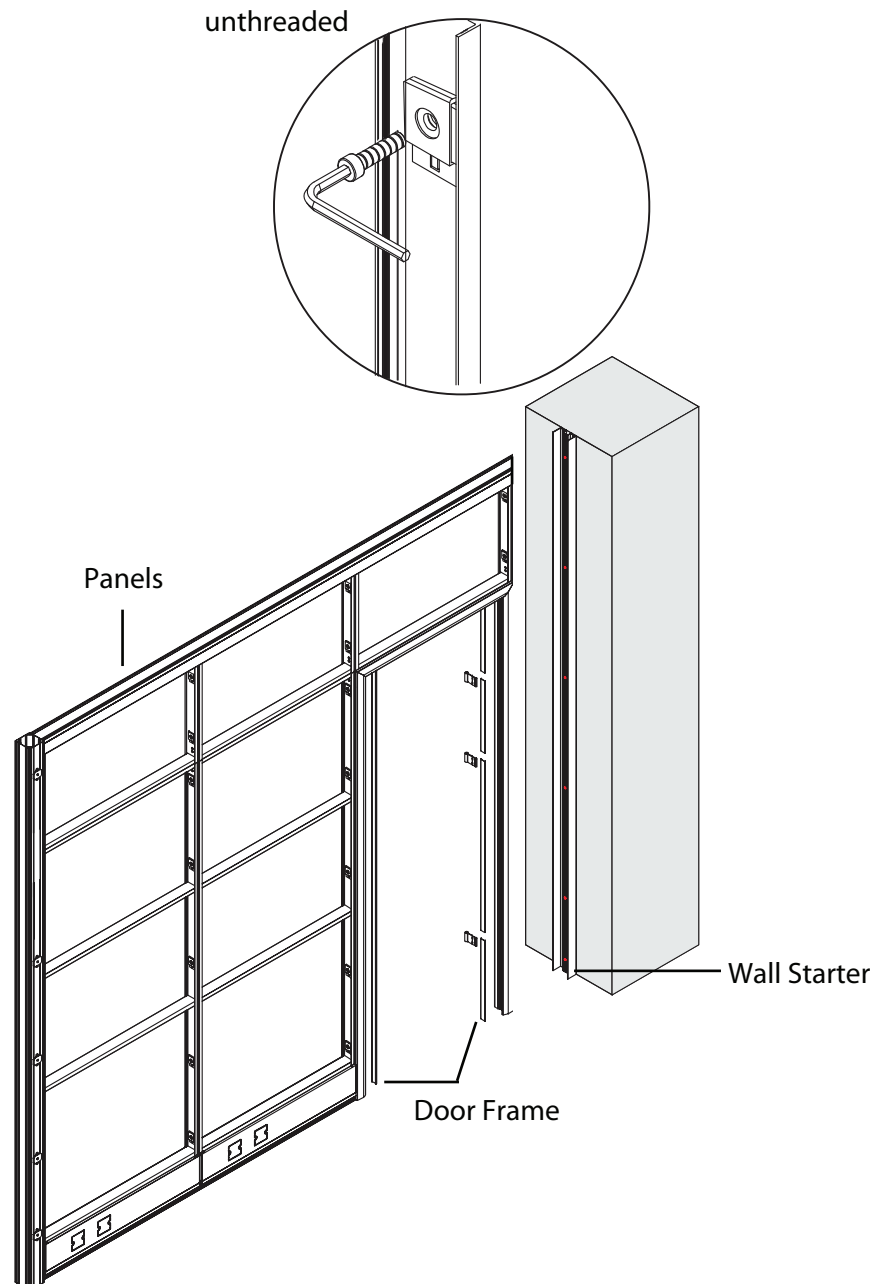
Insert the side pole to the side groove. Side pole is processed as photo and fixed with panel connectors.

View Installation video here:

<https://youtu.be/jMRLdvsThrQ>

Installing Door Against A Wall Starter

*Note: Whenever you are installing a door directly against a wall starter, be sure to remove the threaded washers and replace them with unthreaded washers to connect the door properly.

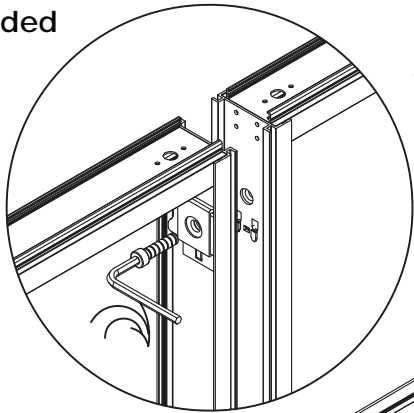


Straight Connectors

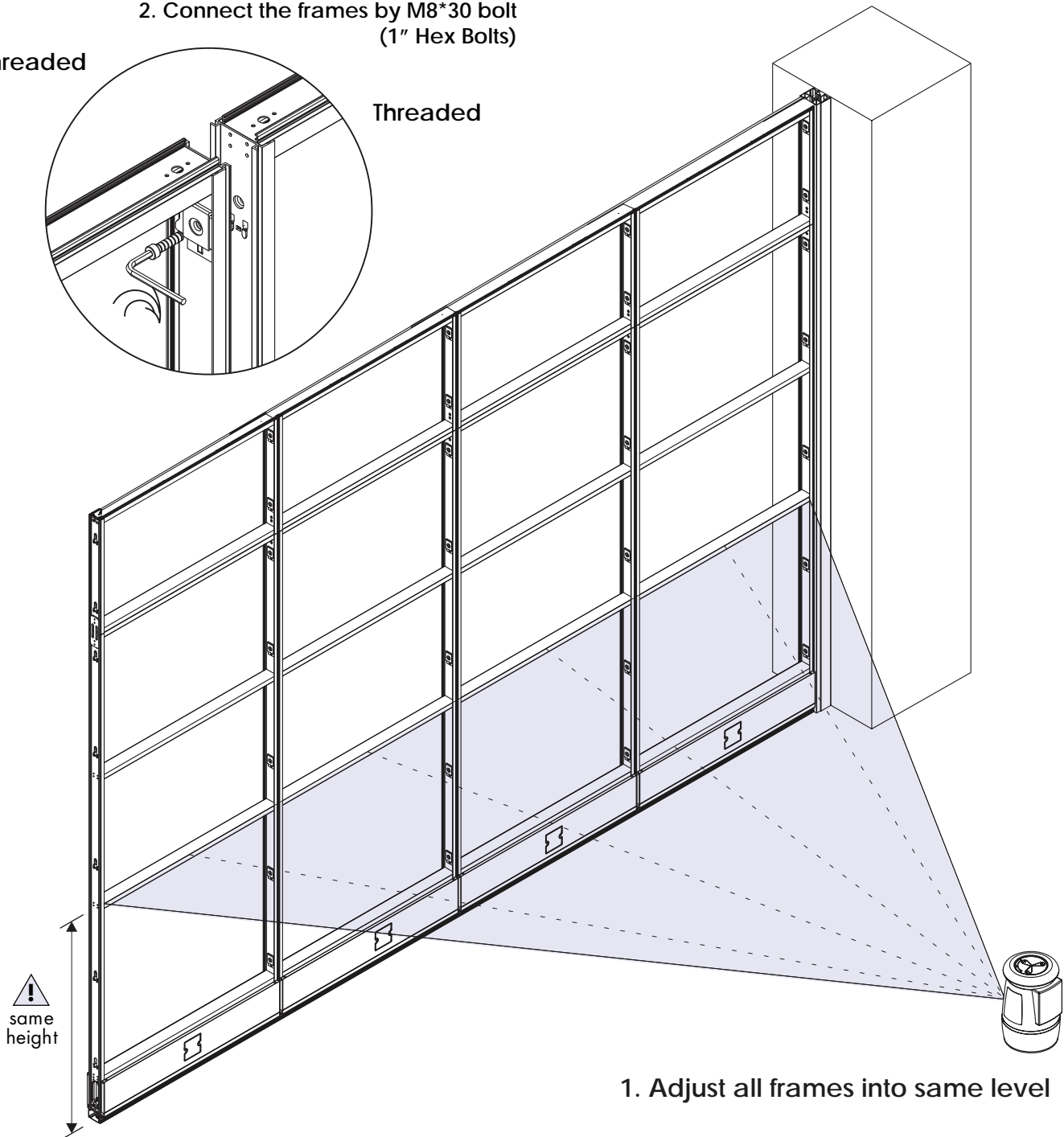
*Make sure everything
is level

2. Connect the frames by M8*30 bolt
(1" Hex Bolts)

Unthreaded



Threaded



1. Adjust all frames into same level

Washers are threaded
and unthreaded and
can be interchanging.

View Installation video here:

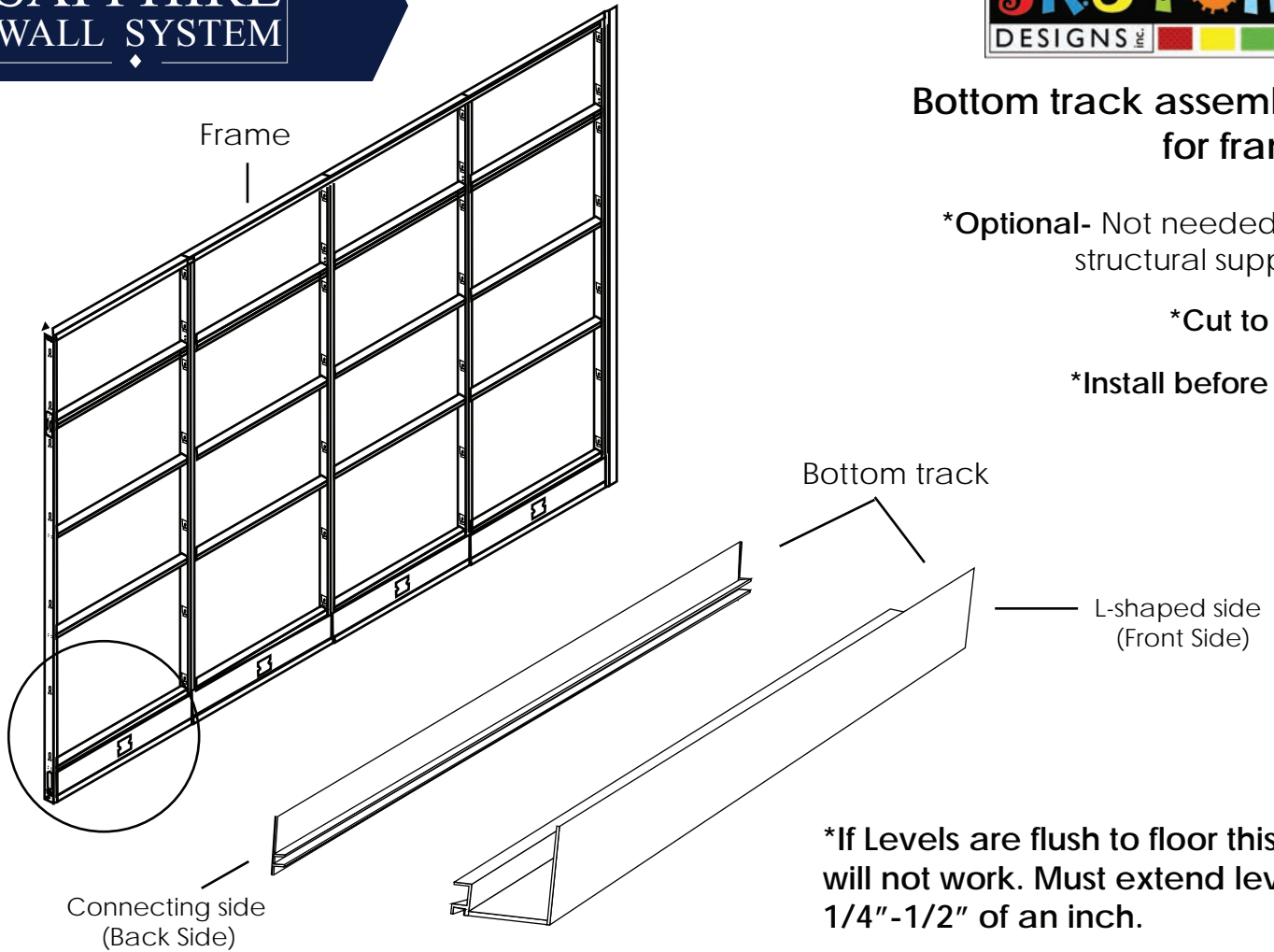
<https://youtu.be/-KztYAftzi0>

**Bottom track assembly
for frame**

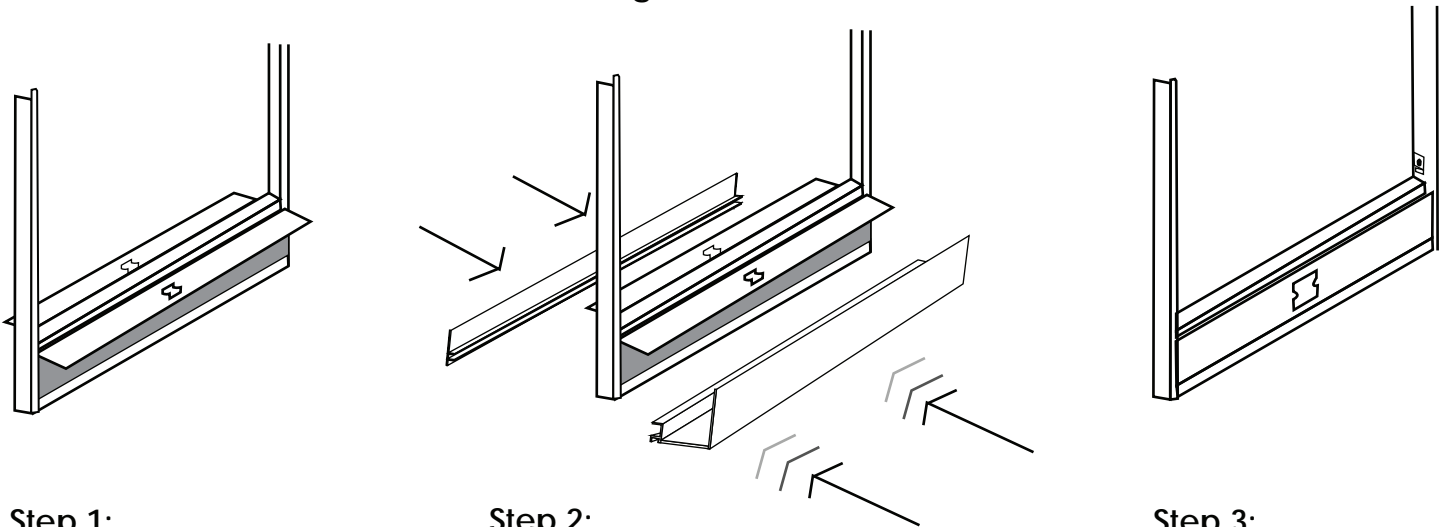
***Optional-** Not needed for structural support

***Cut to size**

***Install before tiles**



***Assemble bottom track before attaching tiles to frame**



Step 1:

Open bottom raceways

Step 2:

Slightly lift frame a half an inch

Slide L-shaped part track underneath frame. When finished connect back of track to Bottom of L-shaped part of track

Step 3:

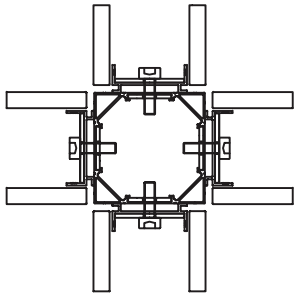
Close raceways

View Installation video here:

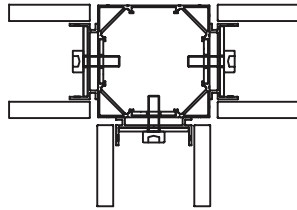
<https://youtu.be/NaZqDuL9unM>

Attaching Connectors

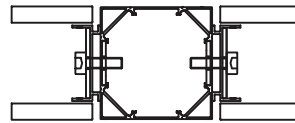
*All connectors simply bolt into panels.



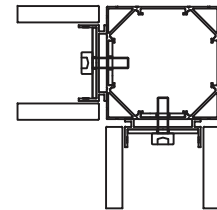
4 ways connection



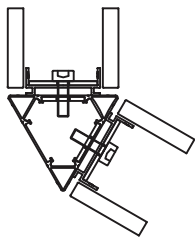
3 ways connection



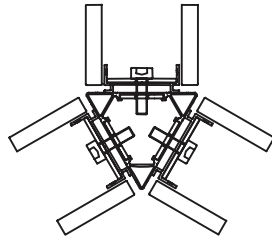
Straight Connector



2 ways connection



120 degree
2 ways connection



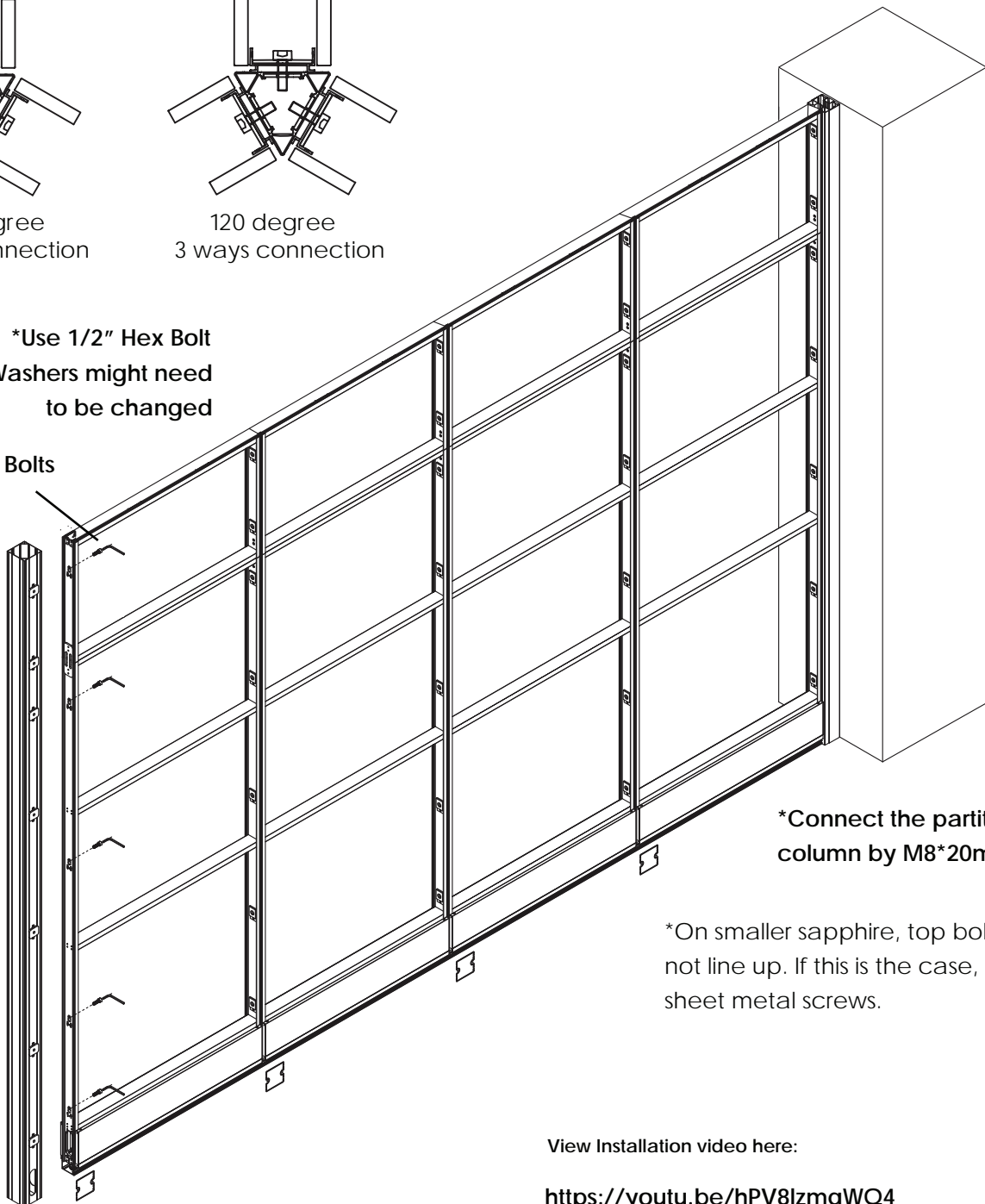
120 degree
3 ways connection

*Use 1/2" Hex Bolt
*Washers might need to be changed

1/2" Hex Bolts

Top of the connector should be even with the top of the frame minus the top cap.

Adjust frame feet to correct height of connector



*Connect the partition and column by M8*20mm bolt.

*On smaller sapphire, top bolt might not line up. If this is the case, just use sheet metal screws.

View Installation video here:

<https://youtu.be/hPV8lzmqWQ4>

Attach End Trim to Wall system

No pre-drilled holes.

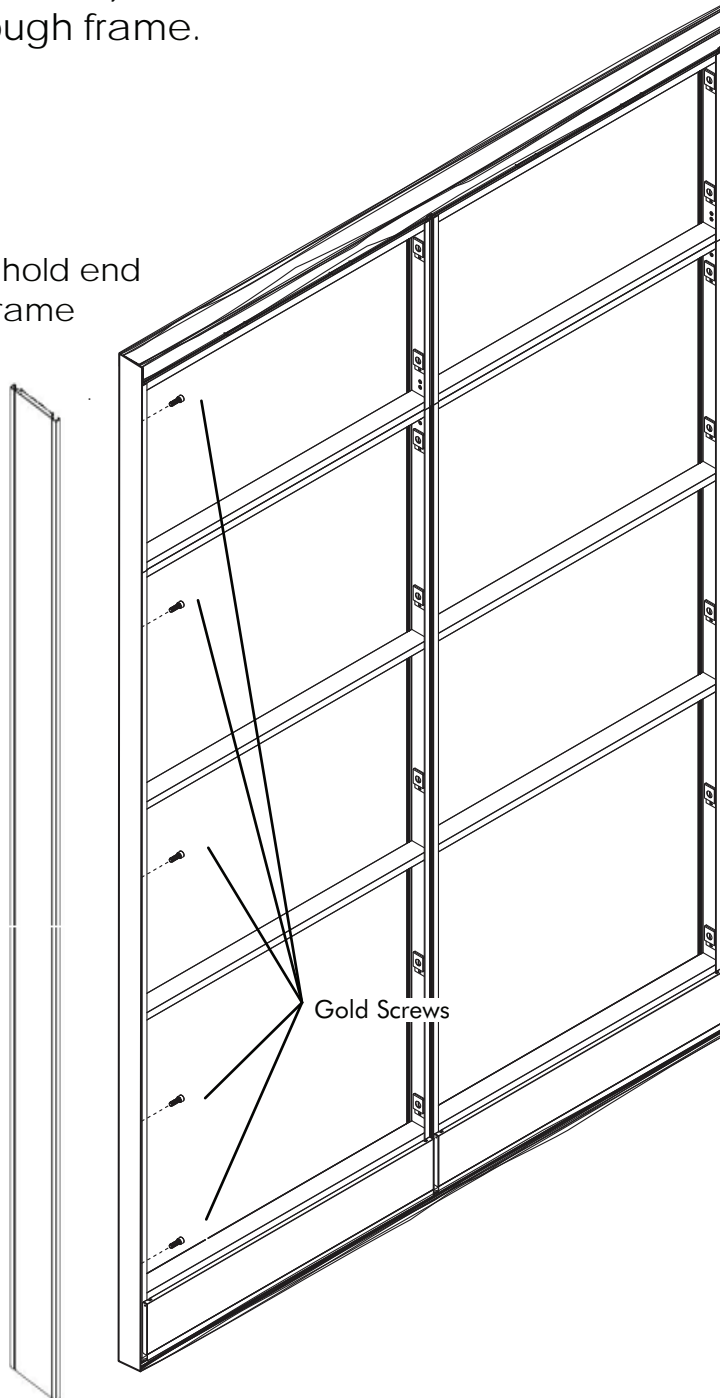
Please use sheet metal screws (gold screws) and tap holes through frame.

*Do not overtighten

*Use clamp to hold end trim tightly to frame



*Use self tapping
5\8 gold screws.

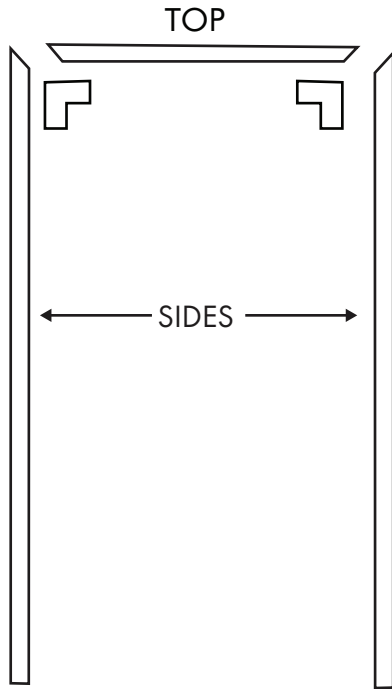


View Installation video here:

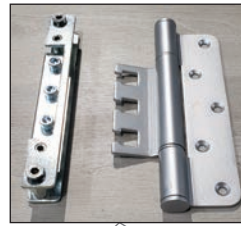
<https://youtu.be/0hgIhOg3juU>

Door Frame Assembly

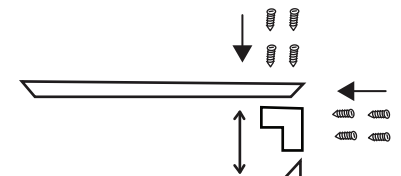
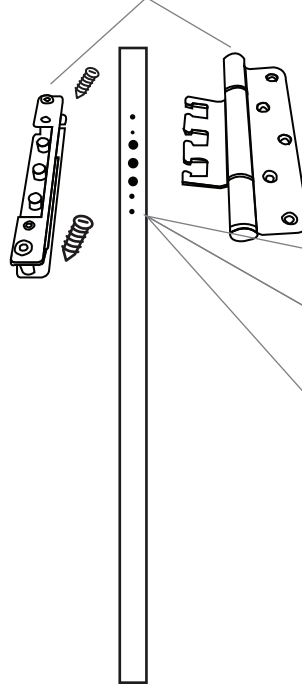
1. Arrange door frame pieces on the floor in the correct positions that they will be put together.



Adjust the door with these screws



Unscrew end screws from piece. Insert into frame so that holes match up. Attach hinge and secure with screws



Insert connector into top and side of frame and secure with screws



If installing on a connector, do not use gold clips, use sheet metal screws to be able to attach to panels

Parts



Assembled Frame



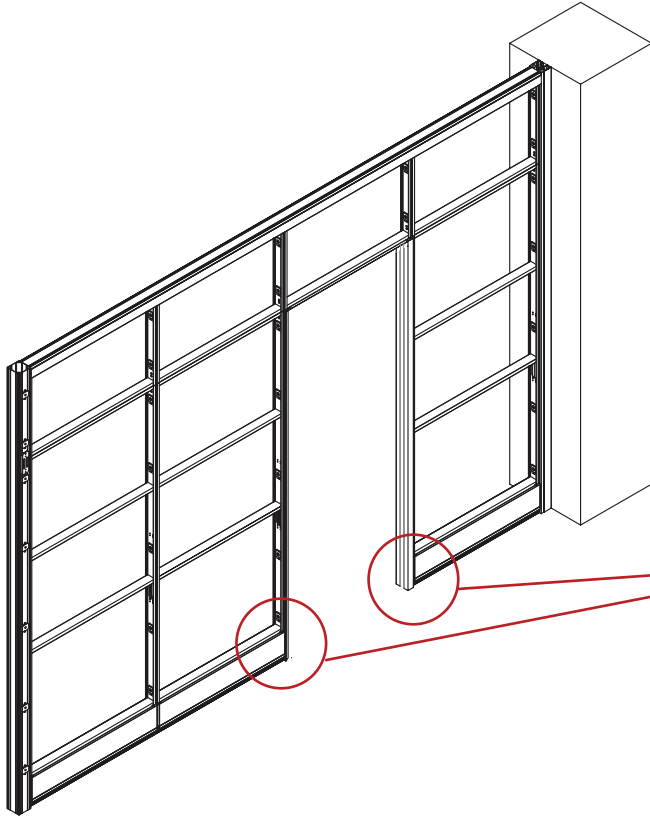
*When installing on connector please pre drill holes and use sheet metal screws

View Installation video here:

<https://youtu.be/5iAHI74A6Uc>

Installing Door Stabilizer

*This must be done before installing the door frame on to the panels



Install a stabilizer on each panel that the door frame will be connecting to.



To install stabilizer on to panel:

Step 1: Remove screws from panel



Step 2: Attach stabilizer on to panel with screws

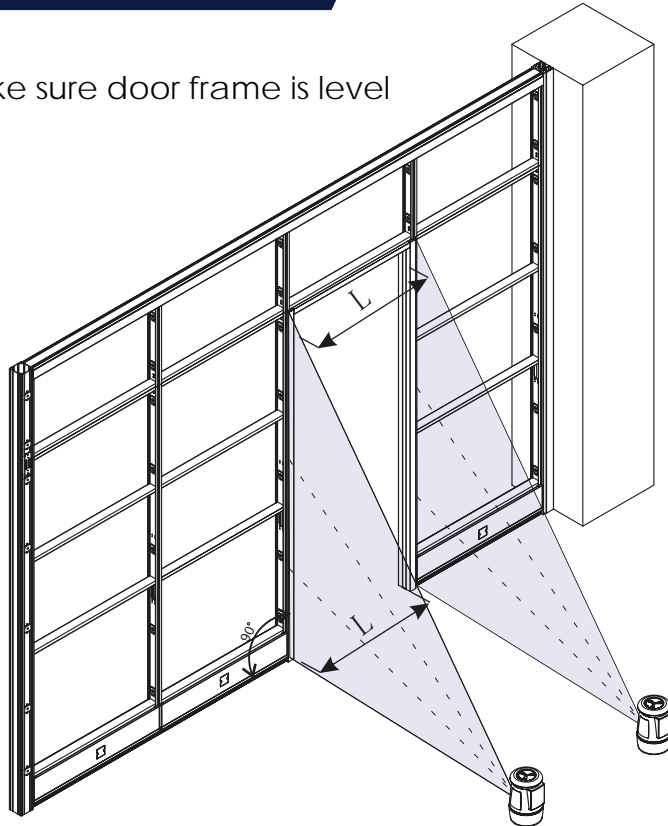


Step 3: Attach stabilizer to floor by drilling directly into the floor and secure with screws



Installing Swing Door Frame

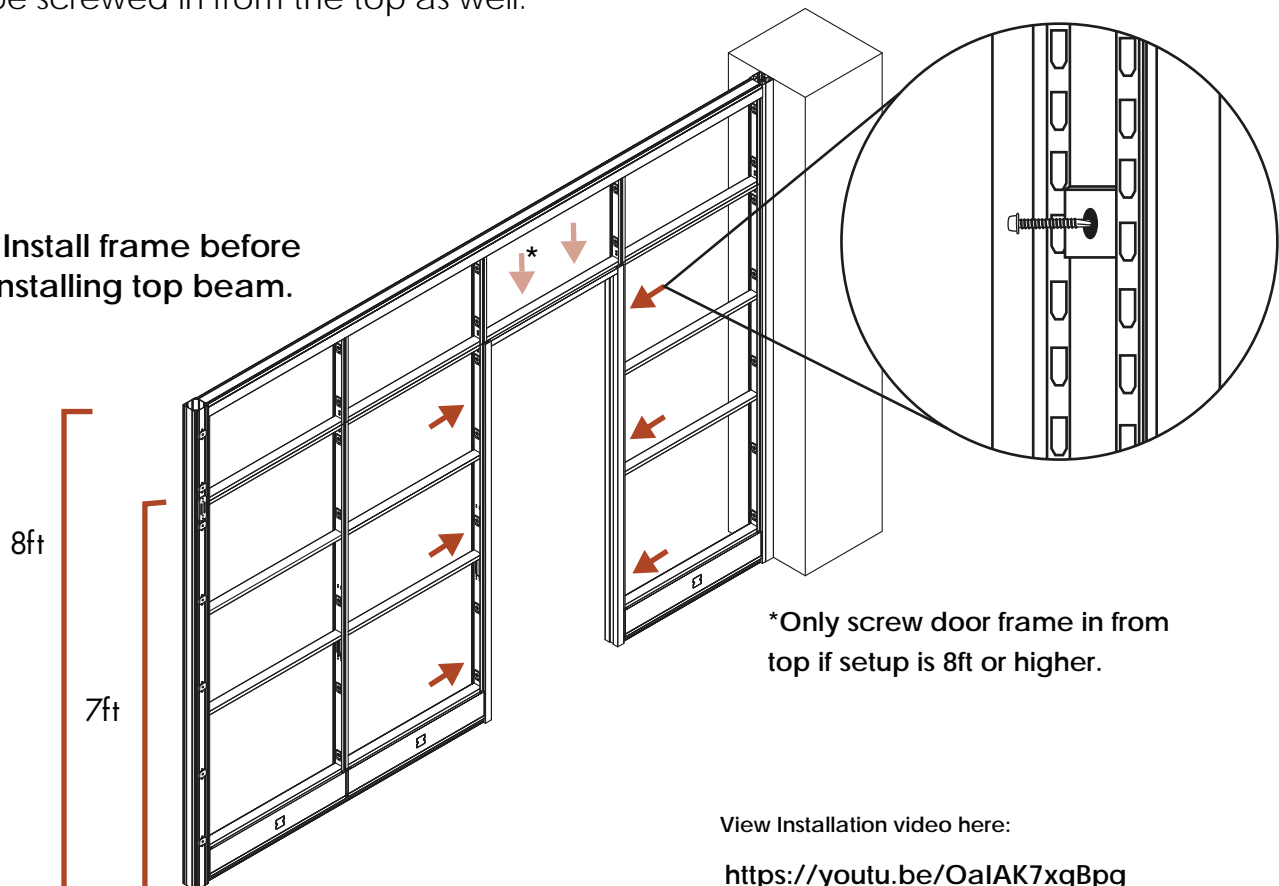
4. Make sure door frame is level



*Door frame on sliding door needs to be installed using sheet metal screws.

5. While tiles are off on 1 side of the wall, screw in through the panel to the frame with 1" hex bolts. 7ft walls this is the final step for the door frame assembly. 8ft walls need to be screwed in from the top as well.

*Install frame before installing top beam.



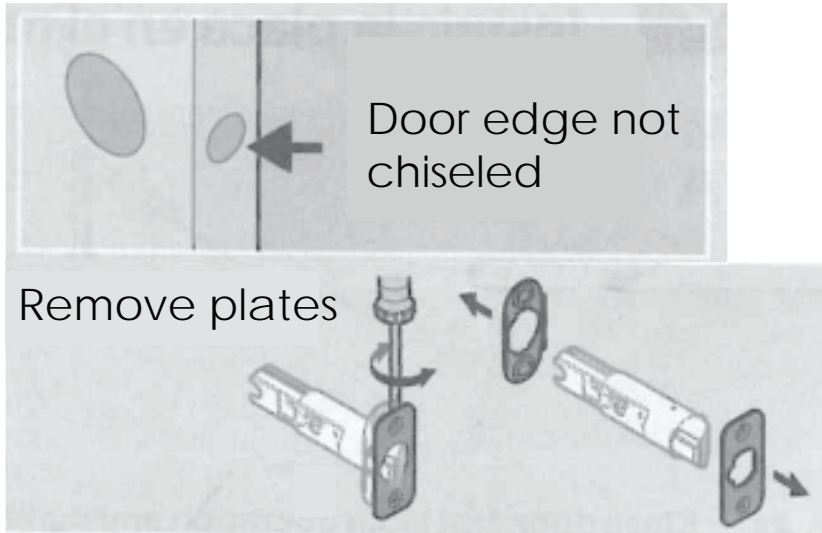
*Only screw door frame in from top if setup is 8ft or higher.

View Installation video here:

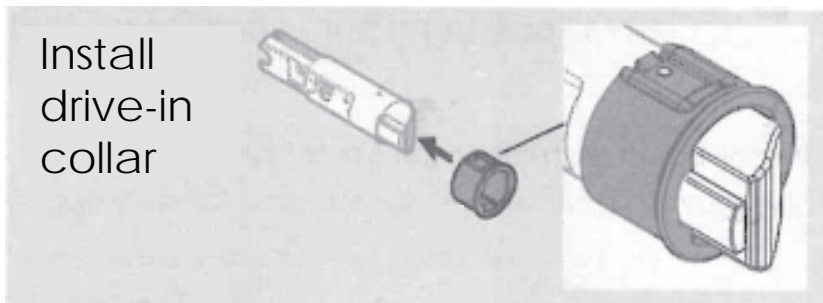
<https://youtu.be/OaIAK7xqBpg>

Install Door Latch

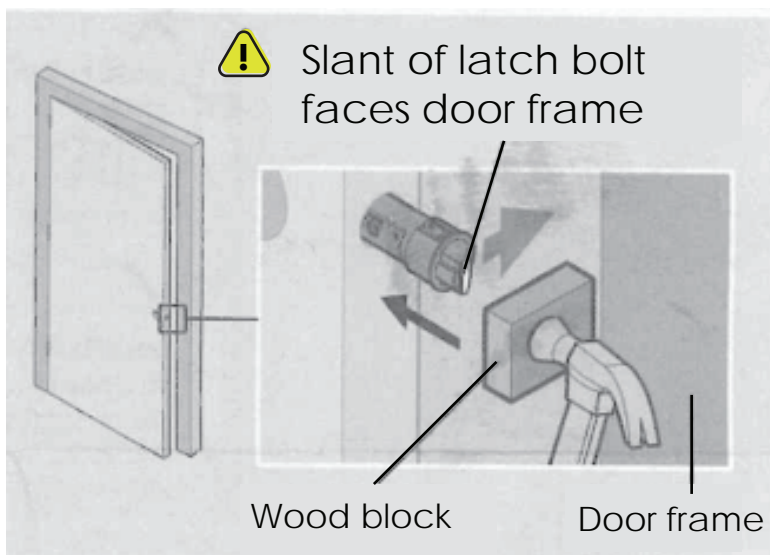
Step 1:



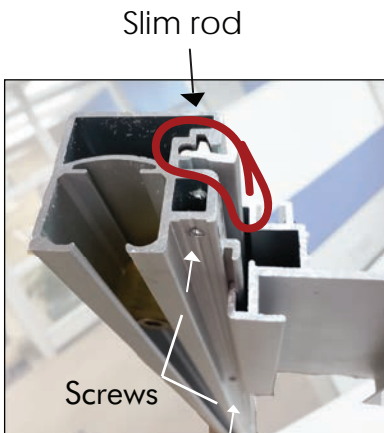
Step 2:



Step 3:

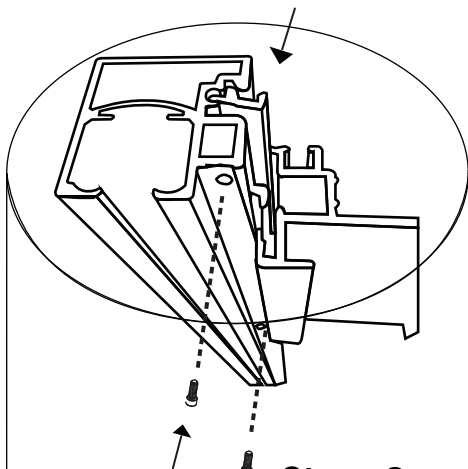


Installing slim rod to door stabilizer beam for sliding doors (84" H only)



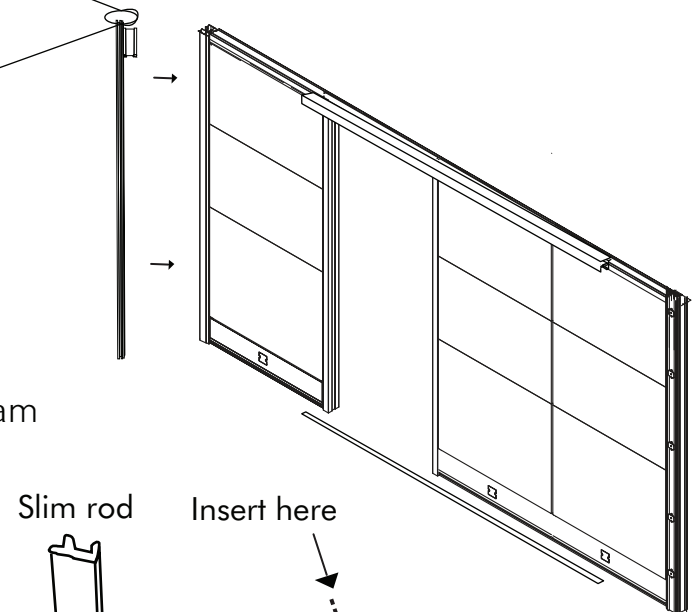
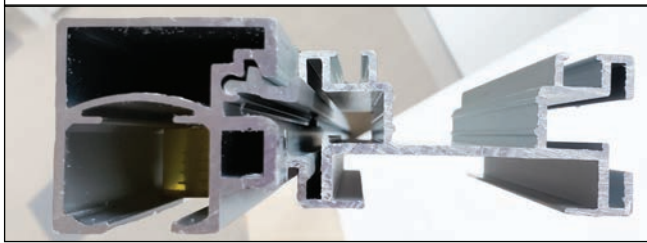
Step 1:

Insert slim rod into track of beam



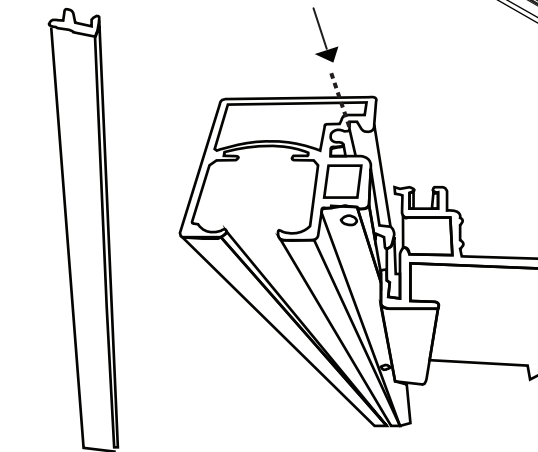
Step 2:

Secure with screws

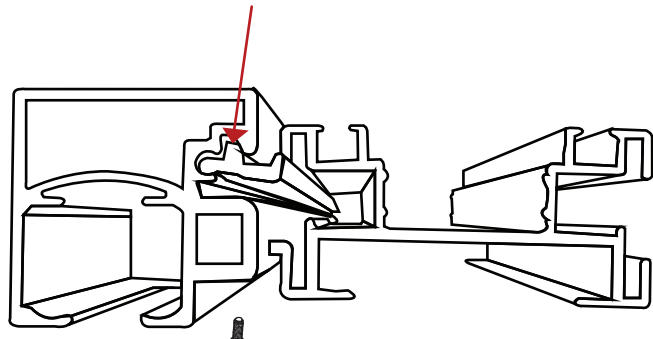


Slim rod

Insert here



Slim rod



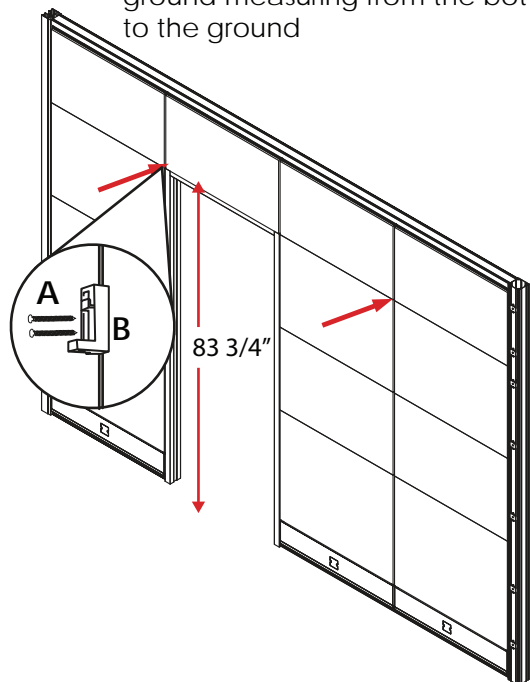
Secure with screws

View Installation video here:

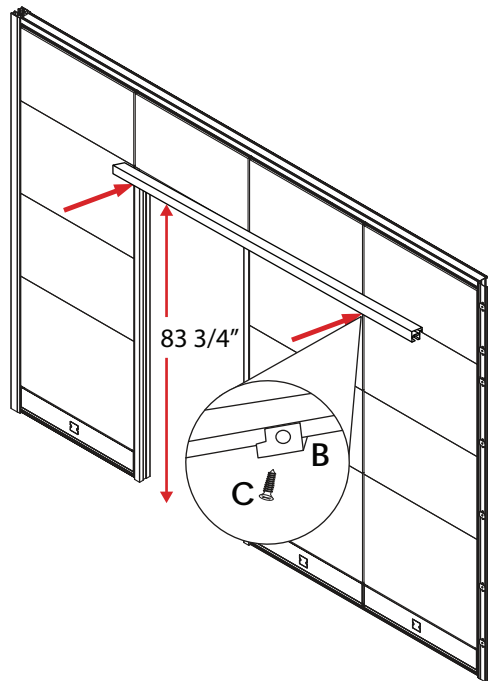
https://youtu.be/_4cBCwJAmaM

Sliding Door Assembly

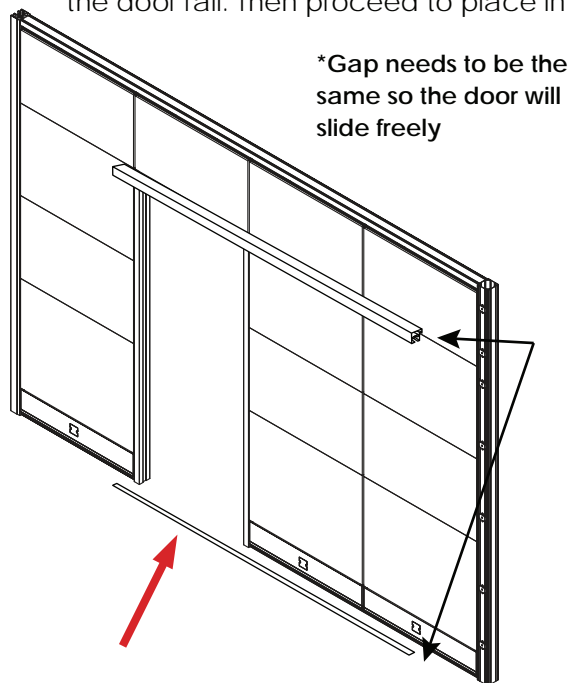
1. Screw in sliding door track directly into panel. Door rail must be placed 83 3/4" from the ground measuring from the bottom of the rail to the ground



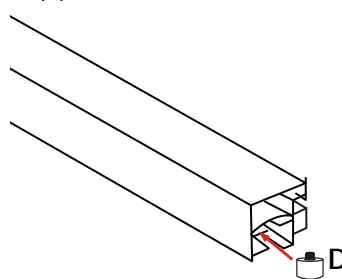
2. Place sliding door rail onto screwed in sliding door rail clips and screw in from below. Door rail must be placed 83 3/4" from the ground.



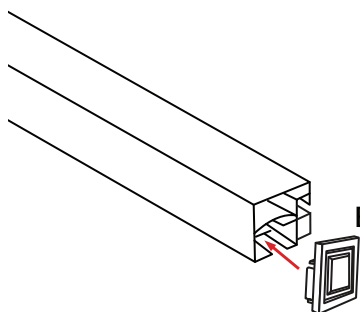
3. Place sliding door bottom track on floor using double sided tape, velcro, or glue; Lining it up with the door rail. Then proceed to place in sliding door.



4. After inserting the sliding door into the rail, secure stopper on the end



5. Place sliding door rail finish caps

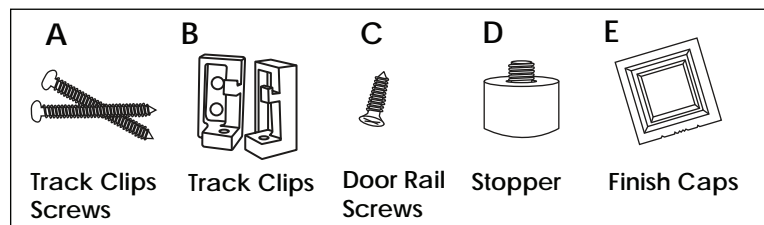


Sliding Door Lock



Locks are available on bottom only of sliding doors. **Spring lock**-a 1" deep hole must be drilled in floor to engage lock.

Parts:

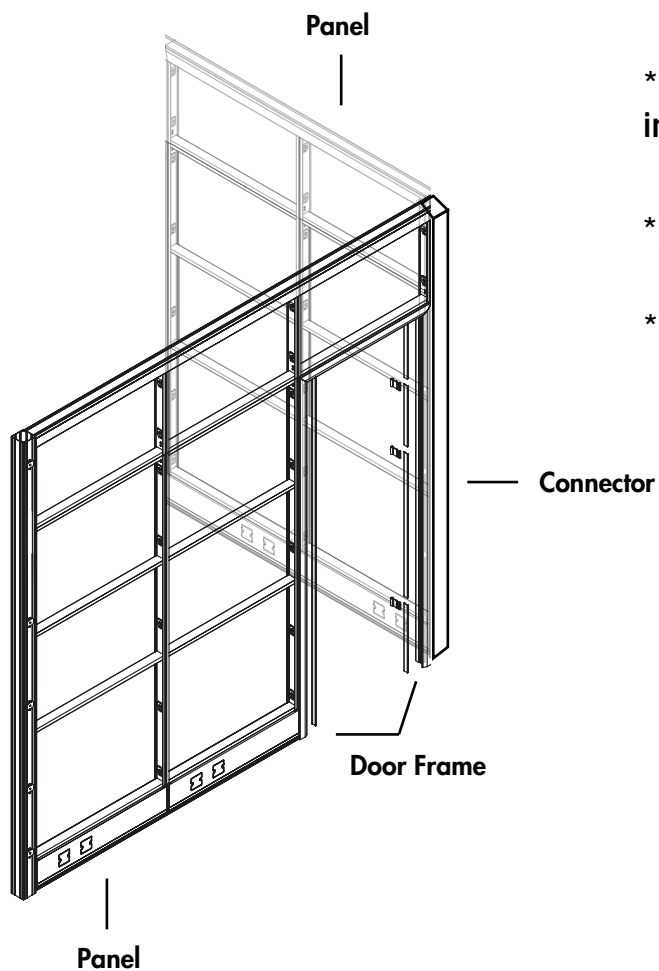


View Installation video here:

<https://www.youtube.com/watch?v=xhDhIL7e>

Installing Door Frame Against Connector

1. When installing a door frame against a connector:
Remove the white clips from the connector.
2. Use pre-drilled holes and screws to install
3. Make sure its level
4. Install door after everything else is install



*2" pan head screws
into pre drilled holes.

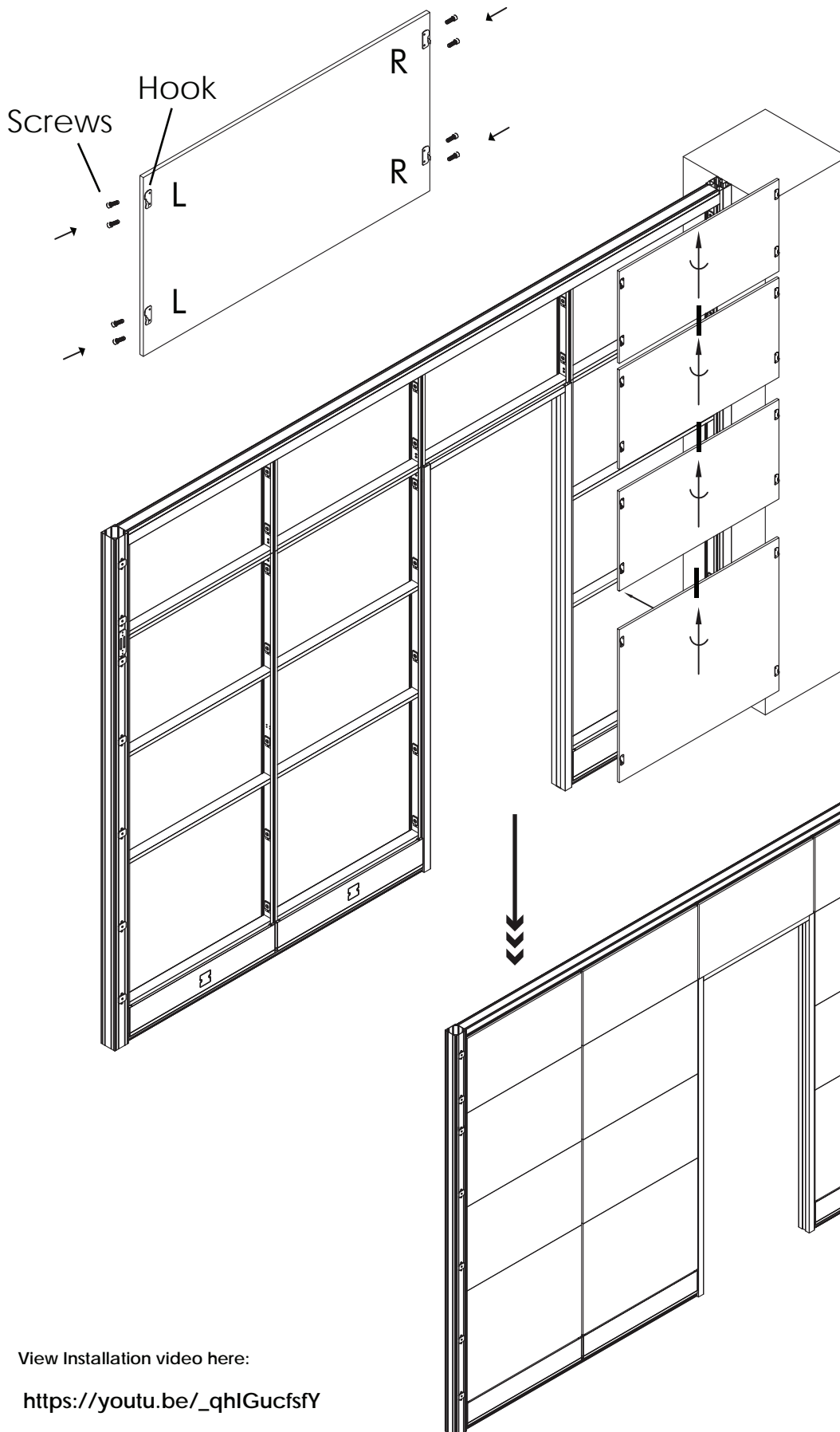
*Pre-drilled holes

*Change new hinges

View Installation video here:

<https://youtu.be/76n4jfOB1OU>

Installing the tile hook



*Please use mallet to tap down tiles

*Please use wood in between to keep tiles aligned

*Do not hit tiles too hard

* If top tile doesn't clip in you are off on the bottom.

Fix the Tiles

View Installation video here:

https://youtu.be/_qhlGucsfY

Top Beam Panel Stabilizer

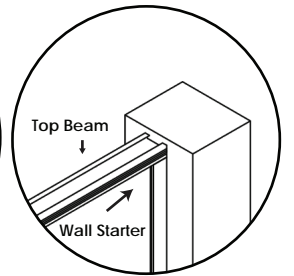
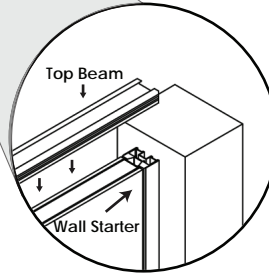
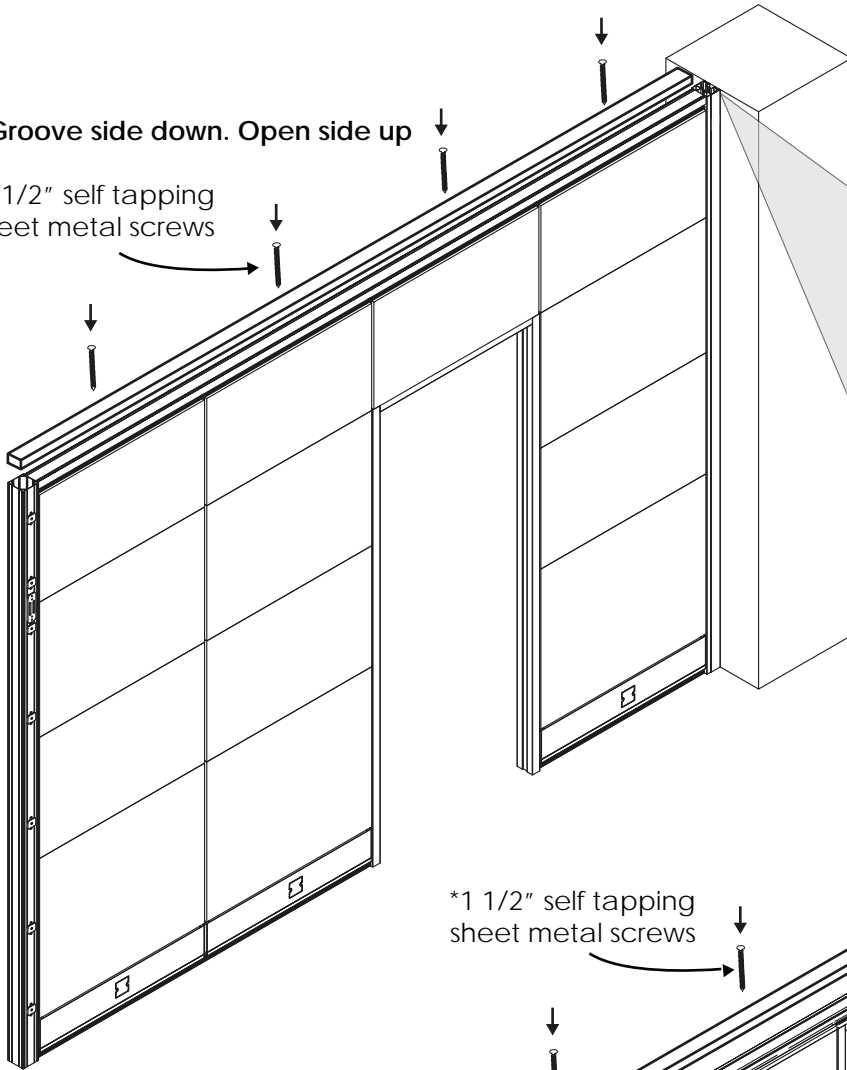
*May need to be cut to size.

*To be installed last

***MAKE SURE TOP BEAM GOES OVER WALL STARTER AND PANELS!**

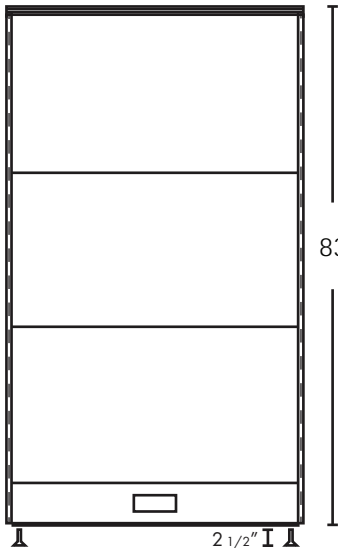
*Groove side down. Open side up

*1 1/2" self tapping sheet metal screws



*1 1/2" self tapping sheet metal screws

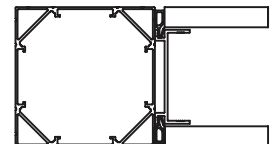
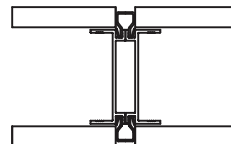
7" H Custom Panel



84 11/16"
(with top cap)

83 3/8"

2 1/2"

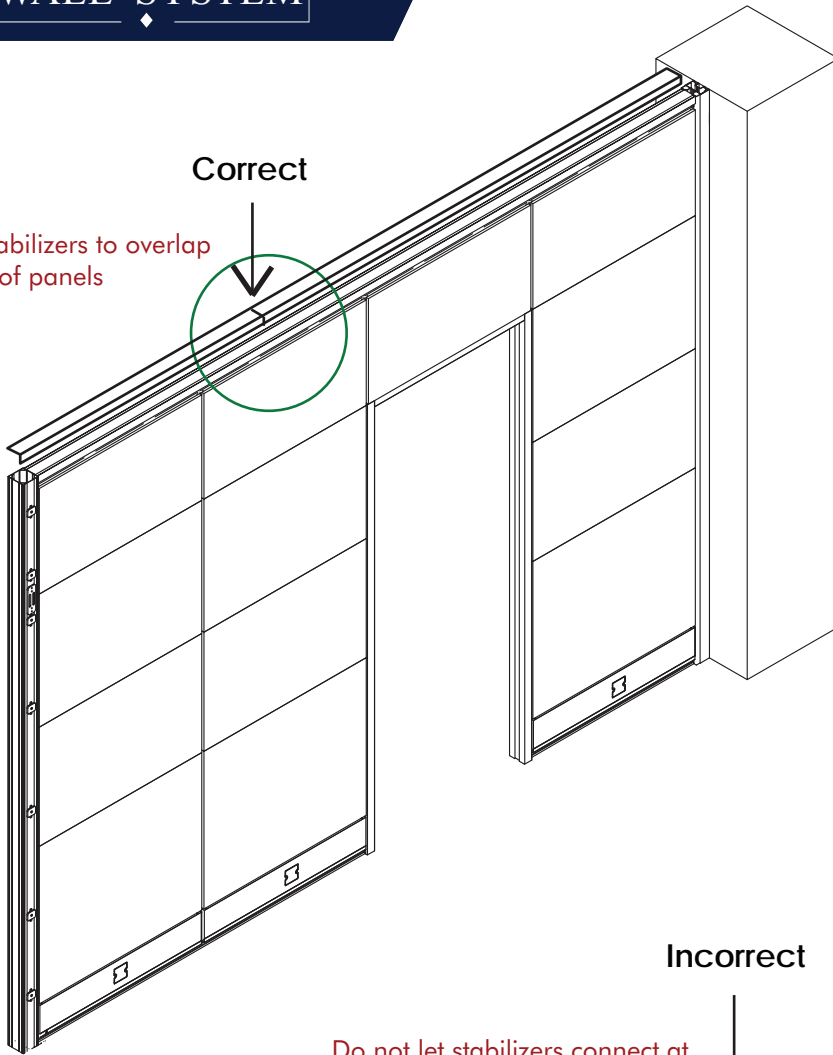


Top Beam Panel Stabilizer

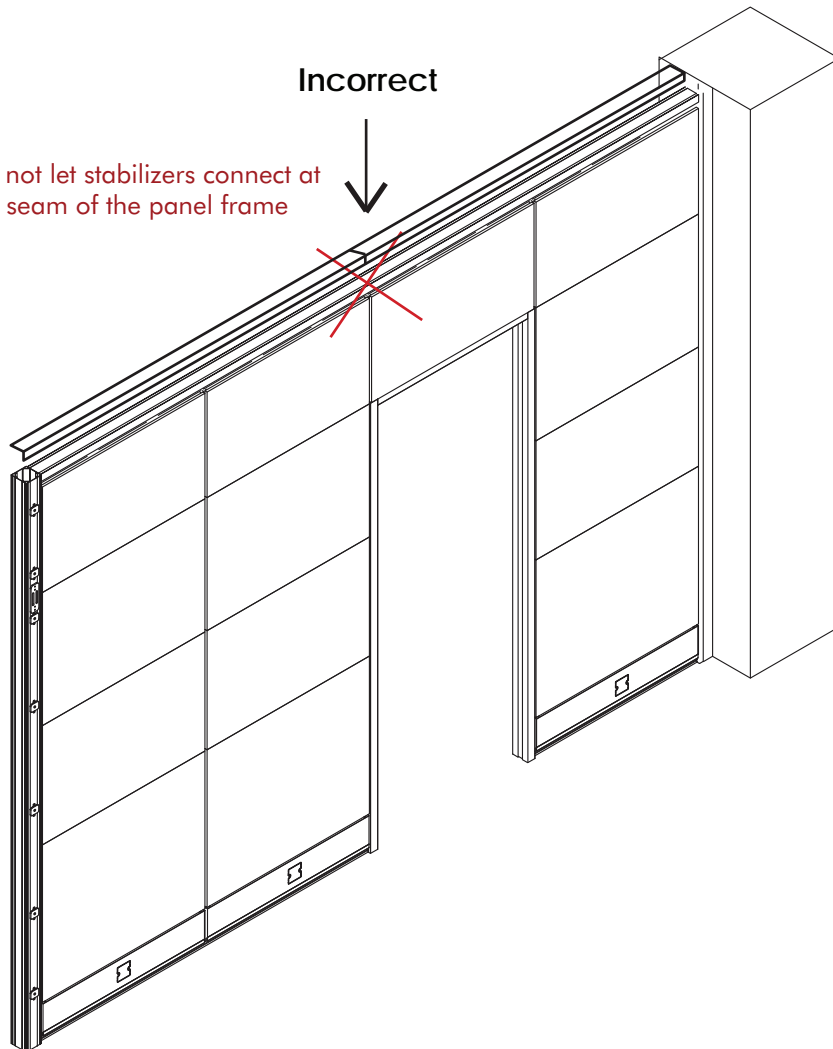
*May need to be cut to size.

***MAKE SURE TOP BEAM
GOES OVER WALL
STARTER AND PANELS!**

Correct
Cut stabilizers to overlap
seam of panels



Incorrect
Do not let stabilizers connect at
the seam of the panel frame

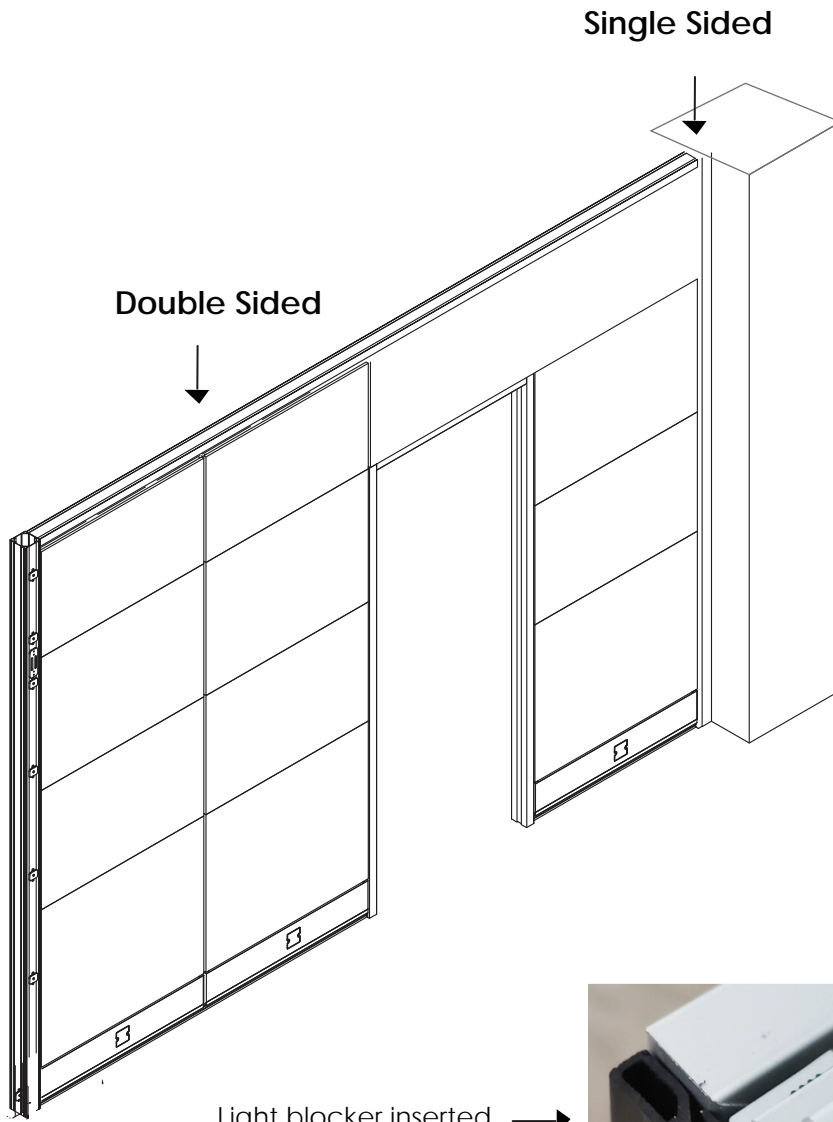


View Installation video here:

<https://youtu.be/zrFb1a7cj-4>

Light Blockers

Single sided by any connector.
Double sided in between panels.



*If having trouble fitting between tiles start installing light blocker from the bottom to the top instead of top to bottom.

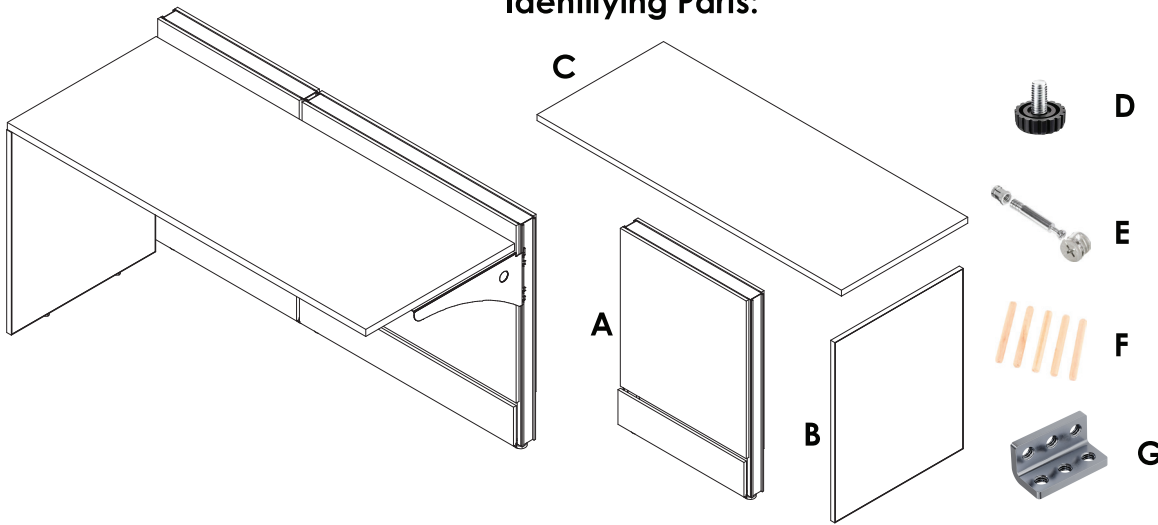
Light blocker inserted →



View Installation video here:

https://youtu.be/_aX_EJXjXdk

Identifying Parts:



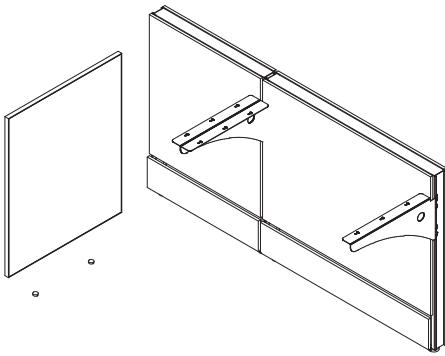
Key:

- A= Panel
- B= Leg Support
- C= Top
- D= Feet
- E= Cam Lock
- F= Dowel
- G= L-Bracket

*Parts are connected using cam locks and wooden dowels. The amount of cam locks and wooden dowels will vary based on planter size.

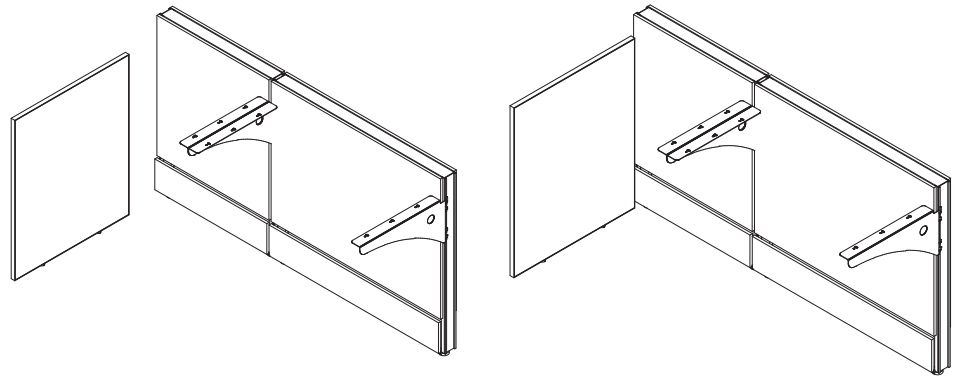
Step 1:

Add Feet to Large Side Wall B



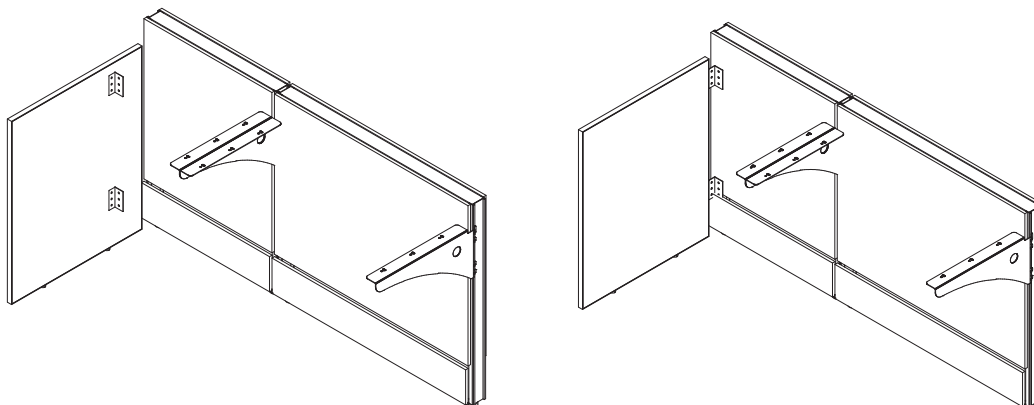
Step 2:

Line up Leg Support to existing Emerald System panel



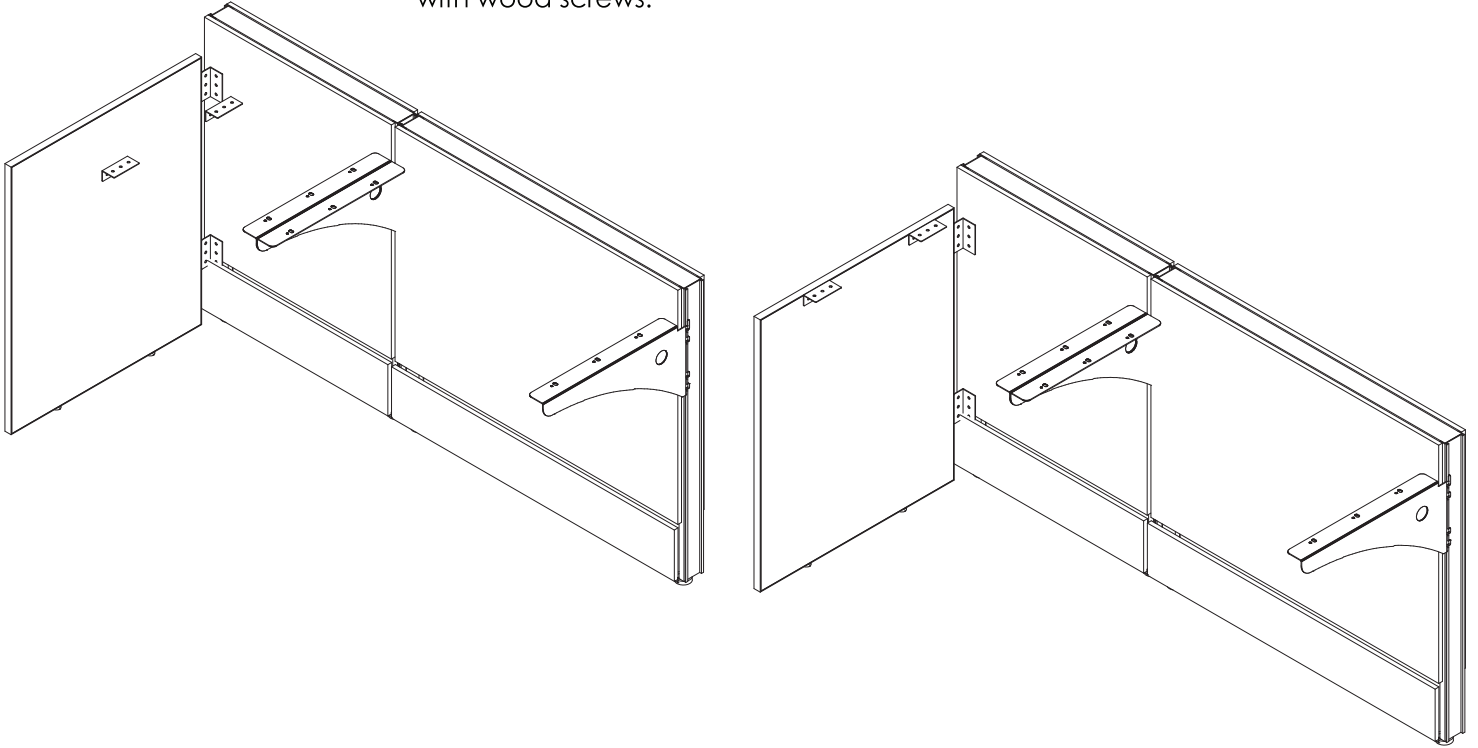
Step 3:

Using L- bracket, connect leg to existing Emeralds System with wood screws.



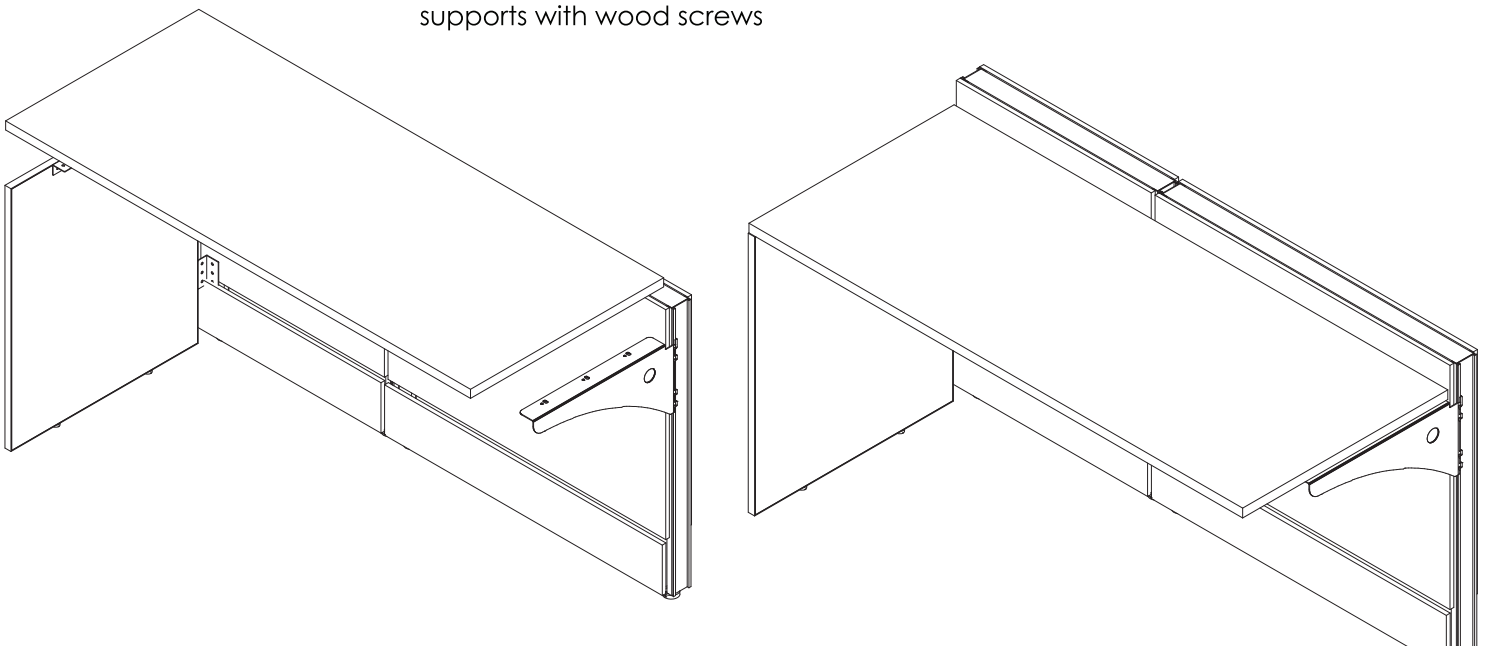
Step 3:

Using L- bracket, connect leg to existing Emeralds System with wood screws.



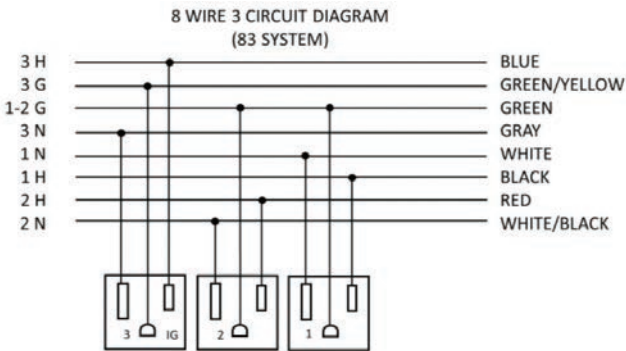
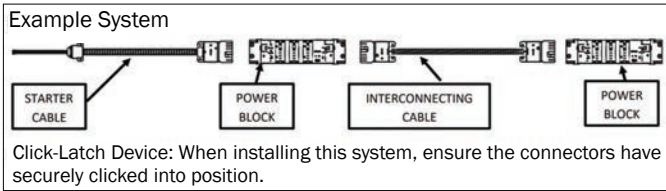
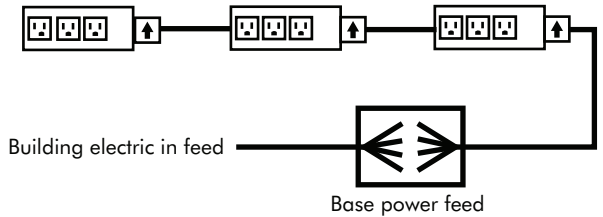
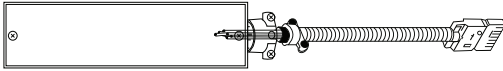
Step 4:

Attach Worksurface to leg supports with wood screws



! FINAL CONNECTION IS DONE BY A LICENSED ELECTRICIAN

WARNING: Risk of fire or electric shock. As with all non-directional systems, do not electrically connect panel to more than one supply source. Always determine that the panel is electrically connected to one and only one source of supply. Before using any equipment, check the entire system for polarity, continuity, and grounding integrity.



Power Supply Connection

The Power System is an eight wire system consisting of four individual circuits rated at 20 amps/120 volts maximum. Circuit 1 (black), circuit 2 (red), and circuit 4 (pink), are served by a system neutral (white) and an equipment ground (green). Circuit 3 (blue) uses an isolated neutral (gray), and an isolated ground (green/yellow). The system may be supplied by a three phase power system with four individual circuits rated 20 amps/120 volts maximum, or as permitted by local code.

When connecting electric pass throughs to power moduals, please make sure ARROW is up

Outlet Layout Options



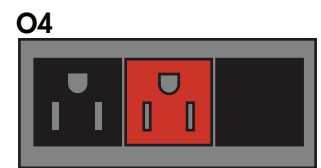
OUTLET - BLANK - BLANK



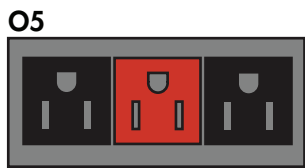
OUTLET - OUTLET - BLANK



OUTLET - OUTLET - OUTLET



OUTLET - DEDICATED* - BLANK



OUTLET - DEDICATED* - OUTLET



BLANK - DEDICATED* - BLANK

***PLEASE NOTE:** Orange is used to represent the dedicated outlet. The actual color of the outlet is **black**.

EMERALD Cubicles come with style #225 Outlets.
SAPPHIRE Cubicles come with style #325 Outlets.

DM1



CAT 6 - Blank - Blank - Blank

DM2



CAT 6 - CAT 6 - Blank - Blank

DM3



CAT 6 - CAT 6 - CAT 6 - Blank

DM4



CAT 6 - CAT 6 - CAT 6 - CAT 6

DM5



CAT 6 - Phone Jack - Blank - Blank

DM6



CAT 6 - CAT 6 - Phone Jack - Blank

DM7



CAT 6 - CAT 6 - CAT 6 - Phone Jack

All Modules can be customized to customers specifications. Please call to review options with one of our sales representatives. Color of jacks may vary.

Optional Acoustic Installation

Choose to add additional acoustic to your system using this rockboard. Below are the test results of its performance.

ROCKBOARD® 40 – Acoustical Performance

ASTM C 423 CO-EFFICIENTS AT FREQUENCIES							
Thickness	125 Hz	250 Hz	500 Hz	1000 Hz	2000 Hz	4000 Hz	NRC
1.0"	0.07	0.32	0.77	1.04	1.05	1.05	0.80
2.0"	0.26	0.68	1.12	1.10	1.03	1.04	1.00
4.0"	1.03	1.07	1.12	1.04	1.07	1.08	1.10

ROCKBOARD® 60 – Acoustical Performance

ASTM C 423 CO-EFFICIENTS AT FREQUENCIES							
Thickness	125 Hz	250 Hz	500 Hz	1000 Hz	2000 Hz	4000 Hz	NRC
1.0"	0.08	0.33	0.78	1.03	1.02	1.04	0.80
2.0"	0.32	0.81	1.06	1.02	0.99	1.04	0.95

ROCKBOARD® 80 – Acoustical Performance

ASTM C 423 CO-EFFICIENTS AT FREQUENCIES							
Thickness	125 Hz	250 Hz	500 Hz	1000 Hz	2000 Hz	4000 Hz	NRC
1.0"	0.11	0.31	0.82	1.01	1.02	1.01	0.80
2.0"	0.43	0.78	0.90	0.97	0.97	1.00	0.90

Environmentally Sustainable

Our stone wool production process uses some of the most advanced technology available. The last decade has seen a new generation of ROXUL manufacturing advancements designed to lower our environmental footprint. These endeavors have included:

- the capture and recycling of rainwater;
- reduction in energy consumption;
- recycling of raw materials back into the production process;
- the use of natural lighting in our facilities; and
- repurposing water used during the manufacturing process.

Moisture Resistance

ROCKBOARD® 40/60/80 ASTM C 1104	Moisture Sorption	<0.08%
------------------------------------	-------------------	--------

Fungi Resistance

ROCKBOARD® 40/60/80 ASTM C 1338	Determination of Fungi Resistance	Passed
------------------------------------	-----------------------------------	--------

Thermal Resistance

ROCKBOARD® 40/80 ASTM C 518 [C 177]	R-value/inch @ 75 °F RSI value/25.4 mm @ 24 °C	4.1 hr.ft².F/BTU 0.72 m²K/W
ROCKBOARD® 60 ASTM C 518 [C 177]	R-value/inch @ 75 °F RSI value/25.4 mm @ 24 °C	4.2 hr.ft².F/BTU 0.72 m²K/W

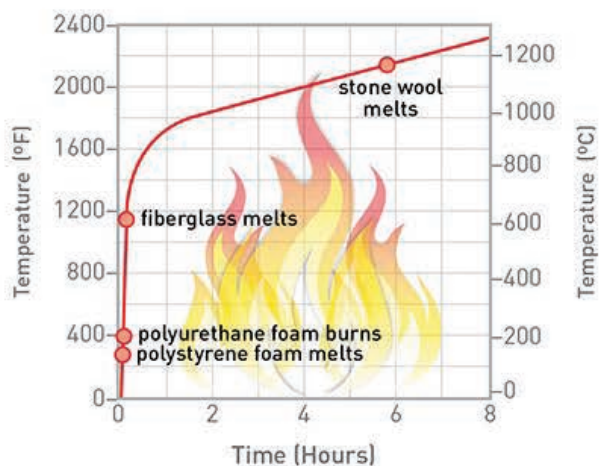
Maximum Service Temperature

ROCKBOARD® 40/60/80	ASTM C 411	Hot Surface Performance In Compliance with ASTM C 612 @ 1200 °F (650 °C)
------------------------	------------	--

Fire Performance

ROCKBOARD® 40/60/80 CAN4 S114	Test for Non-Combustibility	Non-Combustible
ROCKBOARD® 40/60/80 ASTM E 84(UL 723)	Surface Burning Characteristics	Flame Spread = 0 Smoke Developed = 0
ROCKBOARD® 40/60/80 CAN/ULC S102	Surface Burning Characteristics	Flame Spread = 0 Smoke Developed = 0

Temperature Development in a Standard Fire (ASTM E119)



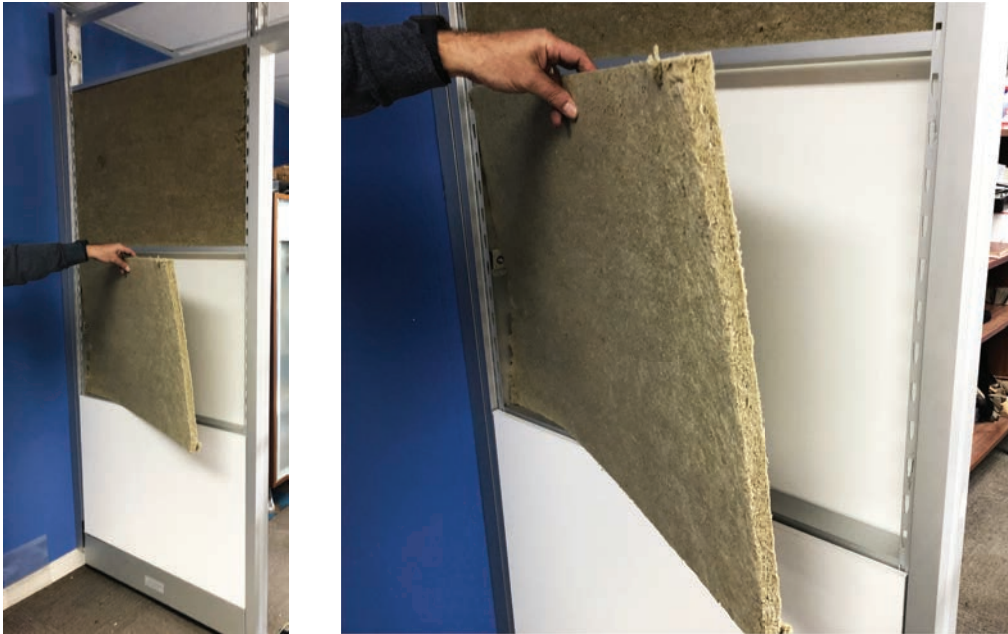
Compliance and Performance

ROCKBOARD® 40 ASTM C 612	Mineral Fiber Block and Board Thermal Insulation	Type IVA, Complies
ROCKBOARD® 60/80 ASTM C 612	Mineral Fiber Block and Board Thermal Insulation	Type IVB, Complies



Installing the rockboard in the sapphire system.

Rockboard fits in between the laminate tiles on the system.



Rockboard inside
of panel

Fully assembled with laminate
tile over rockboard